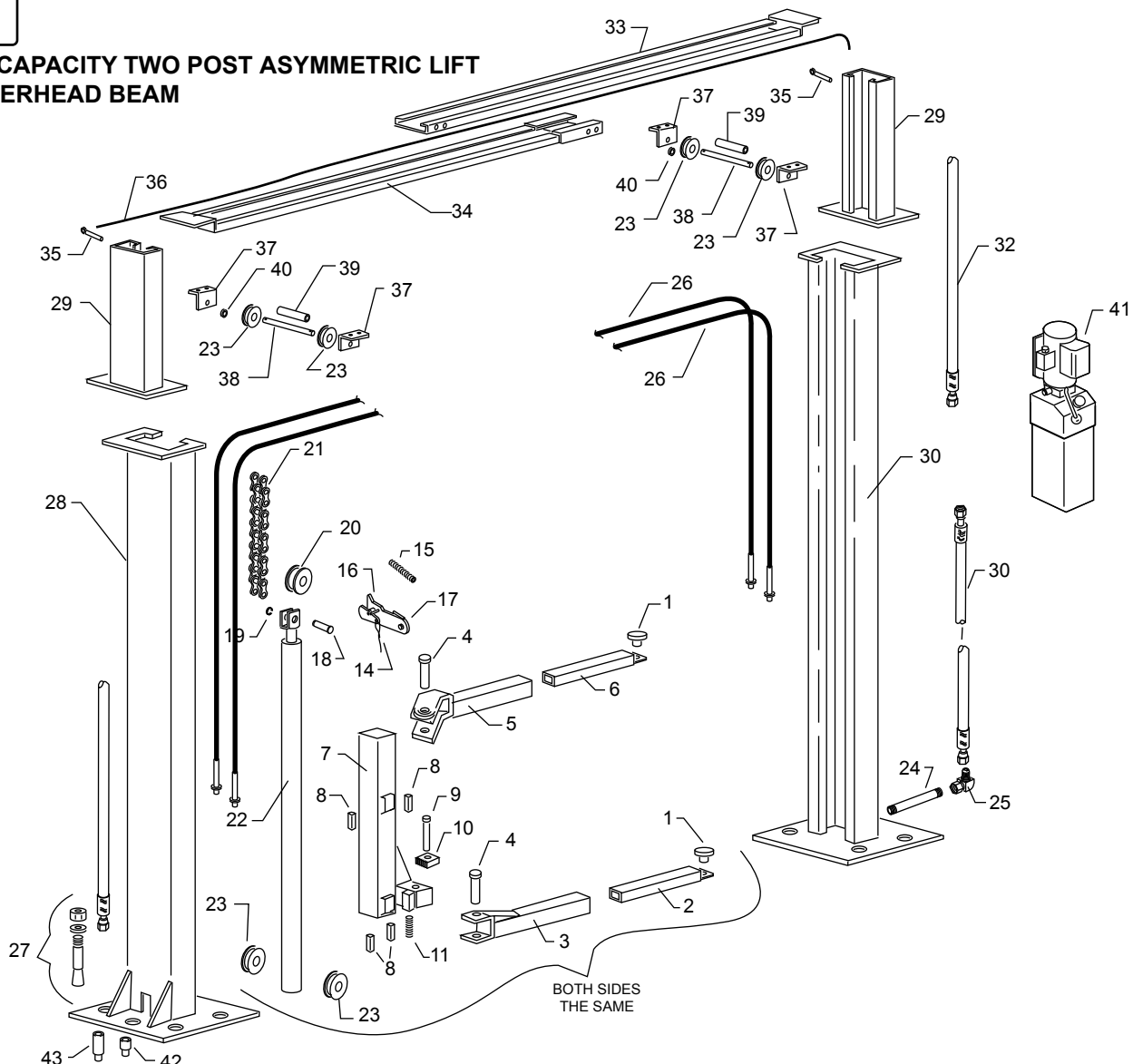


TUXEDO DISTRIBUTORS, LLC

TP09

9,000LB CAPACITY TWO POST ASYMMETRIC LIFT WITH OVERHEAD BEAM



ITEM	P/N	DESCRIPTION
1	TP9-1001	ADAPTER BASE
	TP9-1002	RUBBER PAD
2	TP9-1003	ARM ASSEMBLY
3	TP9-1004	ARM ASSEMBLY REAR
4	TP9-1005	ARM PIN
5	TP9-1006	ARM ASSY LEFT FRONT
	TP9-1007	ARM ASSY RIGHT FRONT
6	TP9-1008	ARM ASSEMBLY
7	TP9-1009	CARRIAGE
8	TP9-1010	SLIDER BLOCK
9	TP9-1011	ARM RESTRAINT PIN
10	TP9-1012	ARM RESTRAINT GEAR SMALL
11	TP9-1013	ARM RESTRAIN SPRING
12	TP9-1014	ARM RESTRAIN WASHER
13	TP9-1015	ARM REST COTTER PIN
14	TP9-1016	LOCK RELEASE CABLE
15	TP9-1017	LOC RELEASE SPRING
16	TP9-1018	LOCK RELEASE LEVER
17	TP9-1019	LOCK PAWL
18	TP9-1020	PULLEY PIN
19	TP9-1021	PULLEY PIN "C" CLIP
20	TP9-1022	CHAIN ROLLER
21	TP9-1023	CHAIN

ITEM	P/N	DESCRIPTION
22	TP9-1024	HYDRAULIC CYLINDER
23	TP9-1025	CABLE SHEAVE
24	TP9-1026	FITTING, STRAIGHT
25	TP9-1027	FITTING, 90 DEGREE
26	TP9-1041	EQUALIZER CABLE (TP09)
27	TP9-1029	WEDGE ANCHOR BOLT
28	TP9-1030	COLUMN SLAVE (OFFSIDE)
29	TP9-1051	COLUMN EXTENSION (TP09)
30	TP9-1032	COLUMN PU SIDE (MAINSIDE)
31	TP9-1033	HYDRAULIC HOSE (CYL TO PU)
32	TP9-1042	HYDRAULIC HOSE (CYL TO CYL OVERHEAD)
33	TP9-1043	OVERHEAD INNER
34	TP9-1044	OVERHEAD OUTINER
35	TP9-1045	SAFETY CABLE EYE
36	TP9-1046	SAFETY CABLE
37	TP9-1047	UPPER SHEAVE BRKT
38	TP9-1048	UPPER SHEAVE SHAFT
39	TP9-1049	UPPER SHEAVE SPACER
40	TP9-1050	SAPCER, SHEAVE
41	TP9-1035	POWER UNIT
42	TP9-1038	HEIGHT EXTENSION, SHORT
43	TP9-1039	HEIGHT EXTENSION, LONG