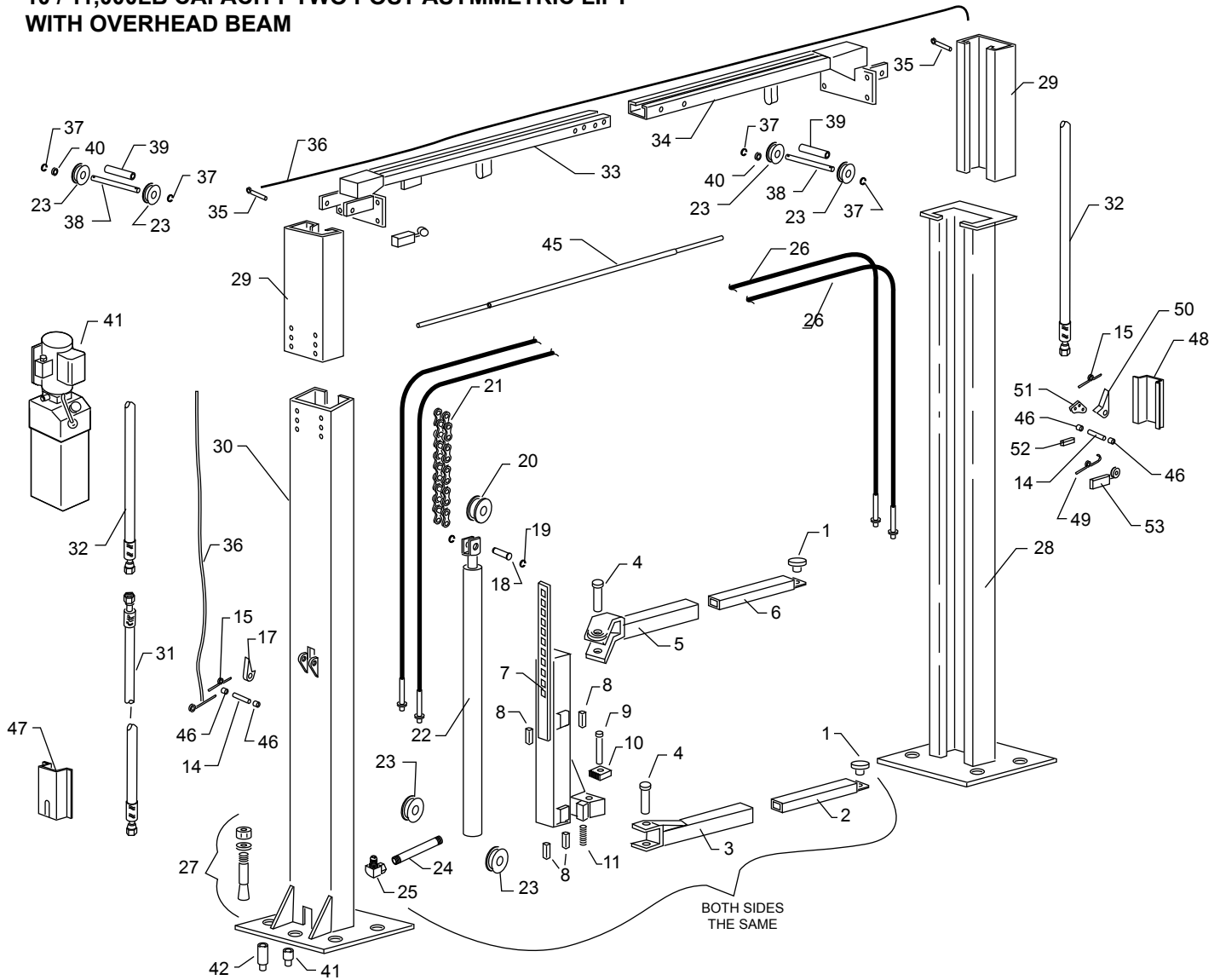


TUXEDO DISTRIBUTORS, LLC

TP010/11

10 / 11,000LB CAPACITY TWO POST ASYMMETRIC LIFT
WITH OVERHEAD BEAM



ITEM	P/N	DESCRIPTION
1	TP010-3000	ADAPTER BASE
	TP010-3001	ADAPTER BASE AND PAD
	TP010-3002	RUBBER PAD
2	TP010-3003	SWING ARM ASSEMBLY REAR
3	TP010-3004	ARM ASSEMBLY REAR
4	TP010-3005	ARM PIN
5	TP010-3006	ARM ASSY LEFT FRONT
	TP010-3007	ARM ASSY RIGHT FRONT
6	TP010-3008	SWING ARM ASSEMBLY FRONT
7	TP010-3009	CARRIAGE
8	TP010-3010	SLIDER BLOCK
9	TP010-3011	ARM RESTRAINT PIN
10	TP010-3012	ARM RESTRAINT GEAR SMALL
11	TP010-3013	ARM RESTRAINT SPRING
12	TP010-3014	ARM RESTRAINT GEAR LARGE
13	TP010-3015	ARM RESTRAINT COTTER PIN
14	TP010-3016	LOCK SHAFT
15	TP010-3017	LOCK SPRING
16	TP010-3018	LOCK RELEASE LEVER
17	TP010-3019	LOCK

ITEM	P/N	DESCRIPTION
18	TP010-3020	CHAIN PULLEY PIN
19	TP010-3021	CHAIN PULLEY "C" CLIP
20	TP010-3022	CHAIN PULLEY
21	TP010-3023	CHAIN
22	TP010-3024	HYDRAULIC CYLINDER
23	TP010-3025	CABLE SHEAVE
24	TP010-3026	FITTING, STRAIGHT
25	TP010-3027	FITTING, 90 DEGREE
26	TP010-3028	EQUALIZER CABLE
27	TP010-3029	WEDGE ANCHOR BOLT
28	TP010-3030	COLUMN SLAVE (OFFSIDE)
29	TP010-3031	COLUMN EXTENSION
30	TP010-3032	COLUMN PU SIDE (MAINSIDE)
31	TP010-3033	HYDRAULIC HOSE (CYL TO PU)
32	TP010-3034	HYD. HOSE (CYL TO CYL)
33	TP010-3035	OVERHEAD INNER
34	TP010-3036	OVERHEAD OUTER
35	TP010-3037	LOCK RELEASE CABLE PULLEY
36	TP010-3038	LOCK RELEASE CABLE
37	TP010-3039	CABLE SHEAVE RETAINER

ITEM	P/N	DESCRIPTION
38	TP010-3040	CABLE SHEAVE SHAFT
39	TP010-3041	CABLE SHEAVE SPACER LONG
40	TP010-3042	CABLE SHEAVE SPACER SHORT
41	TP010-3043	POWER UNIT
42	TP010-3044	HEIGHT EXTENSION, SHORT
43	TP010-3045	HEIGHT EXTENSION, LONG
44	TP010-3046	OVERHEAD SWITCH
45	TP010-3047	OVERHEAD SHUTOFF BAR
46	TP010-3048	BUSHING
47	TP010-3049	COVER LOCK RELEASE PU SIDE
48	TP010-3050	COVER LOCK RELEASE SLAVE
49	TP010-3051	SPRING
50	TP010-3052	LOCK PAWL
51	TP010-3053	CONTROL PLATE
52	TP010-3054	CABLE MOUNT
53	TP010-3055	CALBE SHEAVE BRACKET