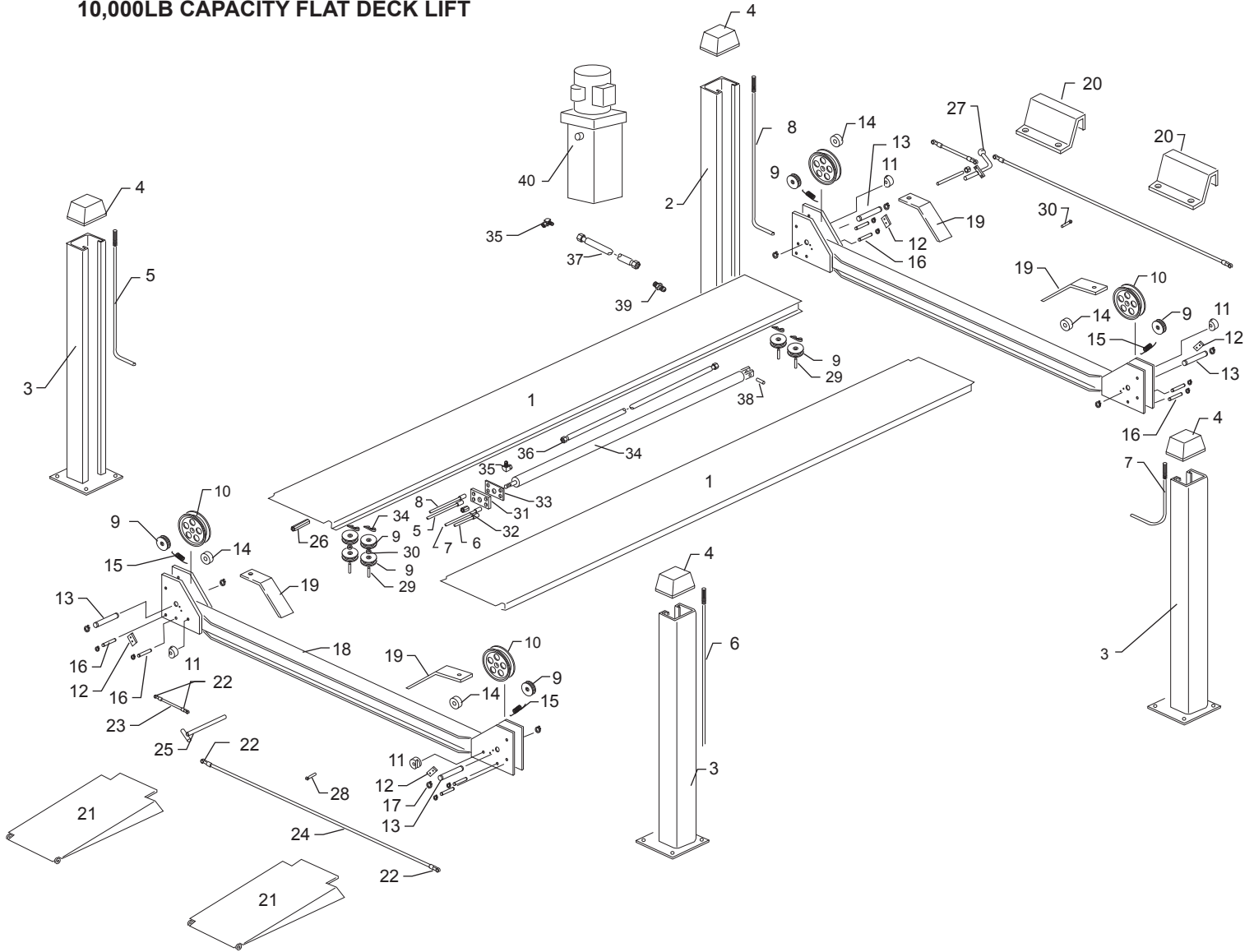


# TUXEDO DISTRIBUTORS, LLC

## FP10K-K

### 10,000LB CAPACITY FLAT DECK LIFT



ILLUSTRATIONS ARE FOR REFERENCE ONLY AND ARE SUBJECT TO CHANGE WITHOUT NOTICE

ITEM	P/N	DESCRIPTION
1	FP10K-K-6000	TRACK, RUNWAY, 10K
2	FP10K-K-6001	COLUMN, W/PU BRACKET, 7K
3	FP10K-K-6002	COLUMN, LH / RH
4	FP10K-K-6003	COVER, PLASTIC COLUMN
5	FP10K-K-6004	CABLE, LH / PU SIDE, 7K
6	FP10K-K-6005	CABLE, LH / OFF SIDE, 7K
7	FP10K-K-6006	CABLE, RH / PU SIDE, 7K
8	FP10K-K-6007	CABLE, RH / OFF SIDE, 7K
9	FP10K-K-6008	CABLE SHEAVE
10	FP10K-K-6009	PULLEY, CABLE LARGE
11	FP10K-K-6010	BUMBER, RUBBER
12	FP10K-K-6011	BRACKET, FLAT
13	FP10K-K-6012	SHAFT, LARGE
14	FP10K-K-6013	SPACER
15	FP10K-K-6014	LOCK SPRING
16	FP10K-K-6015	SHAFT, SMALL
17	FP10K-K-6016	RING, C-CLIP
18	FP10K-K-6017	CROSS BAR, WELDMENT
19	FP10K-K-6018	COVER, LOCK / PULLEY
20	FP10K-K-6019	PLATE, TIRE STOP

ITEM	P/N	DESCRIPTION
21	FP10K-K-6020	APPROACH RAMP, STEEL
22	FP10K-K-6021	ROD END
23	FP10K-K-6022	LINKAGE ROD, SHORT
24	FP10K-K-6023	LINKAGE ROD, LONG
25	FP10K-K-6024	LOCK ROD LINKAGE,
26	FP10K-K-6025	COUPLER NUT
27	FP10K-K-6026	LOCK RELEASE HANDLE
28	FP10K-K-6027	EYE BOLT
29	FP10K-K-6028	SHEAVE SHAFT
30	FP10K-K-6029	SPACER
31	FP10K-K-6030	CYLINDER ROD NUT
32	FP10K-K-6031	CABLE LOCK PLATE
33	FP10K-K-6032	CABLE RETAINER BLOCK
34	FP10K-K-6033	HYDRAULIC CYLINDER
35	FP7K-4040	FTG, HYD, 6801-6-6
36	FP7K-4041	HYDRAULIC HOSE, LONG
37	FP7K-4042	HYDRAULIC HOSE, SHORT
38	FP7K-4043	CYLINDER PIN
39	FP7K-4044	FTG, HYD 2701-6-6
40	PU-110V-L	POWER UNIT, 110V