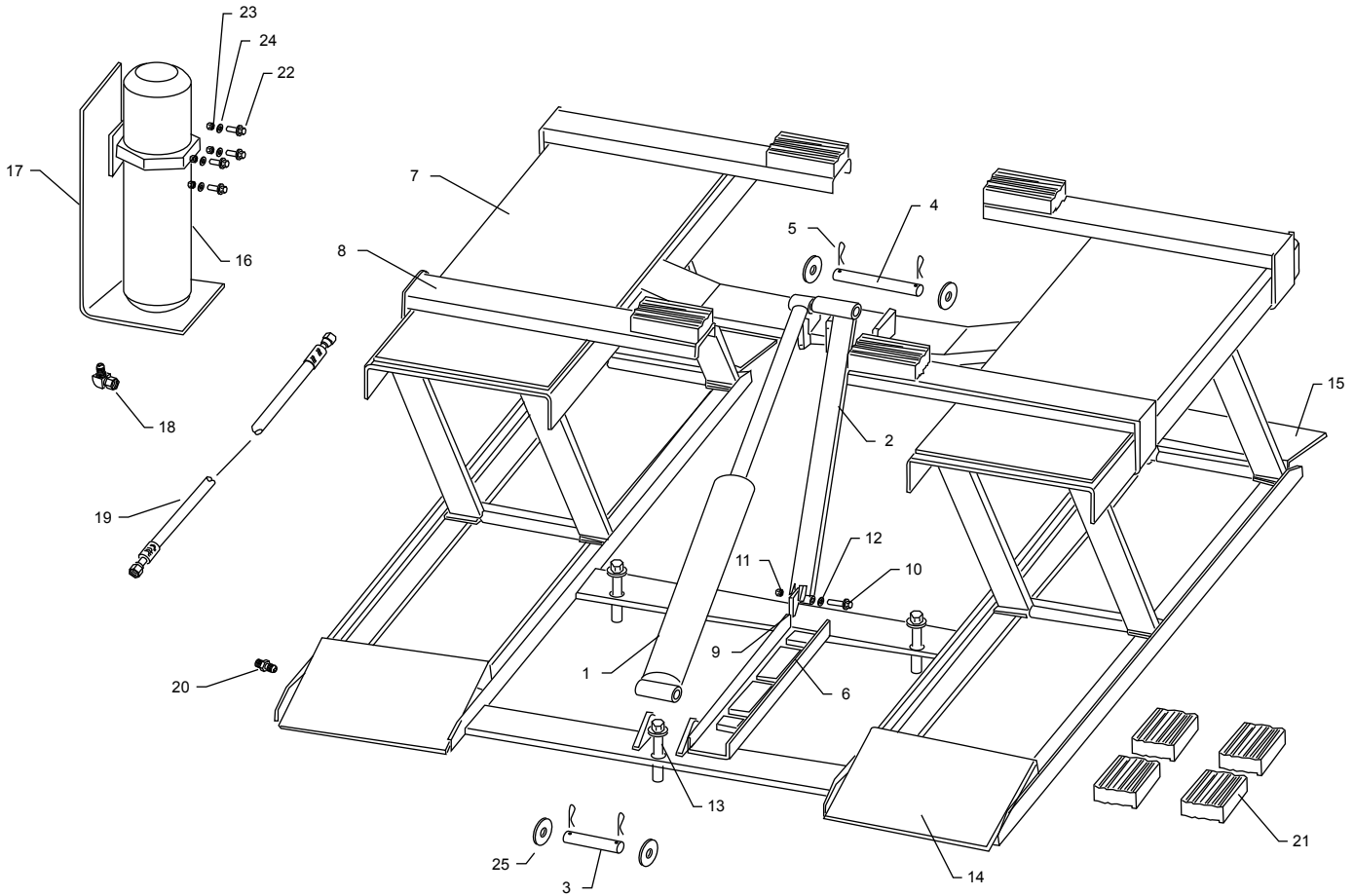


# TUXEDO DISTRIBUTORS, LLC

## PAD-6000

6,000LB CAPACITY LOW RISE LIFT



ILLUSTRATIONS ARE FOR REFERENCE ONLY AND ARE SUBJECT TO CHANGE WITHOUT NOTICE

ITEM	P/N	DESCRIPTION
1	PAD-60-000	CYLINDER, 3 X 18 HYDRAULIC
2	PAD-60-001	ASSY, SAFETY ARM
3	PAD-60-002	PIN, LOWER HINGE
4	PAD-60-003	PIN, UPPER HINGE
5	PAD-60-004	COTTER PIN, 3/16" X 2"
6	PAD-60-005	ASSY, SAFETY STOP
7	PAD-60-006	PAD, RUBBER TOP
8	PAD-60-007	ARMS, OPTIONAL
9	PAD-60-008	SAFETY LATCH
10	PAD-60-009	BOLT, 3/8-16 X 1-1/2" HEX
11	PAD-60-010	NUT, 3/8" HEX
12	PAD-60-011	WASHER, 3/8" LOCK
13	PAD-60-012	BOLT, 3/4 X 4-3/4" ANCHOR
	PAD-60-013	C-SHIM

ITEM	P/N	DESCRIPTION
14	PAD-60-015	RAMP, DRIVE-ON
15	PAD-60-016	RAMP, DRIVE-OFF
16	PAD-60-017	POWER UNIT, AB-1830
17	PAD-60-018	STAND, POWER UNIT
18	PAD-60-019	FITTING, 6801-6-6 POWER UNIT
19	PAD-60-020	HOSE, 1/4" HYDRAULIC, 120" LONG
20	PAD-60-021	FITTING, 2404-4-4 STRAIGHT
21	PAD-60-022	PAD, 1-1/2" RUBBER
	PAD-60-023	PAD, 3" RUBBER
	PAD-60-024	PAD, 6" RUBBER
22	PAD-60-025	BOLT, 5/16-18 X 3/4" HEX
23	PAD-60-026	NUT, 5/16-18 NYLOCK
24	PAD-60-027	WASHER, 5/16" LOCK
25	PAD-60-028	WASHER, 1" FLAT