

ROBINAIR®



Operating Manual for
Model 34788
Recovery, Recycling, Recharging Unit

SAFETY DEFINITIONS: Follow all **WARNING**, **CAUTION**, **IMPORTANT**, and **NOTE** messages in this manual. These messages are defined as follows: **WARNING** means you may risk serious personal injury or death; **CAUTION** means you may risk personal injury, property damage, or unit damage; **IMPORTANT** means you may risk unit damage; and **NOTES** and **OPERATING TIPS** provide clarity and helpful information. These safety messages cover situations ROBINAIR is aware of. ROBINAIR cannot know, evaluate, and advise you as to all possible hazards. You must verify that conditions and procedures do not jeopardize your personal safety.

DISCLAIMER: Information, illustrations, and specifications contained in this manual are based on the latest information available at the time of publication. The right is reserved to make changes at any time without obligation to notify any person or organization of such revisions or changes. Further, ROBINAIR shall not be liable for errors contained herein or for incidental or consequential damages (including lost profits) in connection with the furnishing, performance, or use of this material. If necessary, obtain additional health and safety information from the appropriate government agencies and the vehicle, refrigerant, and lubricant manufacturers.

WARNINGS



ALLOW ONLY QUALIFIED PERSONNEL TO OPERATE THE UNIT. Before operating the unit, read and follow the instructions and warnings in this manual. The operator must be familiar with air conditioning and refrigeration systems, refrigerants, and the dangers of pressurized components. If the operator cannot read this manual, operating instructions and safety precautions must be read and discussed in the operator's native language.

– *Si el operador no puede leer las instrucciones, las instrucciones de operación y las precauciones de seguridad deberán leerse y comentarse en el idioma nativo del operador.*

– *Si l'utilisateur ne peut lire les instructions, les instructions et les consignes de sécurité doivent lui être expliquées dans sa langue maternelle.*



PRESSURIZED TANK CONTAINS LIQUID REFRIGERANT. Do not overfill the internal storage vessel, because overfilling may cause explosion and personal injury or death. Do not recover refrigerants into nonrefillable containers; use only federally authorized refillable containers (DOT spec. 4BW or 4BA).



HOSES MAY CONTAIN LIQUID REFRIGERANT UNDER PRESSURE. Contact with refrigerant may cause personal injury. Wear protective equipment, including safety goggles. Disconnect hoses using extreme caution.



DO NOT BREATHE REFRIGERANT AND LUBRICANT VAPOR OR MIST. Exposure may cause personal injury, especially to the eyes, nose, throat, and lungs. Use the unit in locations with mechanical ventilation that provides at least four air changes per hour. If accidental system discharge occurs, ventilate the work area before resuming service.



DO NOT USE AN EXTENSION CORD. An extension cord may overheat and cause fire. If you must use an extension cord, use the shortest possible cord with a minimum size of 14 AWG.

TO REDUCE THE RISK OF FIRE, do not use the unit in the vicinity of spilled or open containers of gasoline or other flammable substances.



DO NOT USE COMPRESSED AIR TO PRESSURE TEST OR LEAK TEST THE UNIT OR VEHICLE AIR CONDITIONING SYSTEM. Some mixtures of air and R-134a refrigerant are combustible at elevated pressures. These mixtures are potentially dangerous and may result in fire or explosion causing personal injury or property damage.



USE THIS UNIT WITH R-134a REFRIGERANT ONLY. The unit is designed to recover, recycle, and recharge only R-134a refrigerant. Do not attempt to adapt the unit for another refrigerant. Do not mix refrigerant types through a system or in the same container; mixing of refrigerants will cause severe damage to the unit and the vehicle air conditioning system.



HIGH VOLTAGE ELECTRICITY INSIDE THE UNIT HAS A RISK OF ELECTRICAL SHOCK. Exposure may cause personal injury. Disconnect the power before servicing the unit.

OPERATING NOTE: At temperatures exceeding 120° F / 49° C, wait 10 minutes between recovery jobs.

Table of Contents

Introduction	2
Technical Specifications	2
Keypad Functions	3
Glossary	3
Menu Functions	4
Setup	5
Unpack the Accessory Kit	5
Power Up the Unit	5
Select a Language	5
Select Operating Units	5
Set Tank Fill Level	6
Add Oil to the Vacuum Pump	6
Fill the Internal Storage Vessel	7
Operating Instructions	9
Recover Refrigerant from a Vehicle	9
Evacuate the A/C System	10
Replenish A/C System Oil	11
Recharge the A/C System	12
Operating Instructions — Automatic	14
Maintenance	15
General	15
Electrical Protection	15
Manually Fill the Internal Storage Vessel (ISV)	15
Replace the Filter-Drier	16
Check Remaining Filter Capacity	16
Change the Filter	16
Adjust Tank Fill Level	17
Change Vacuum Pump Oil	18
Scale Calibration Check	19
Check for Leaks	19
Replacement Parts	20
Safety Precautions	Inside Front Cover
Warranty	Inside Back Cover

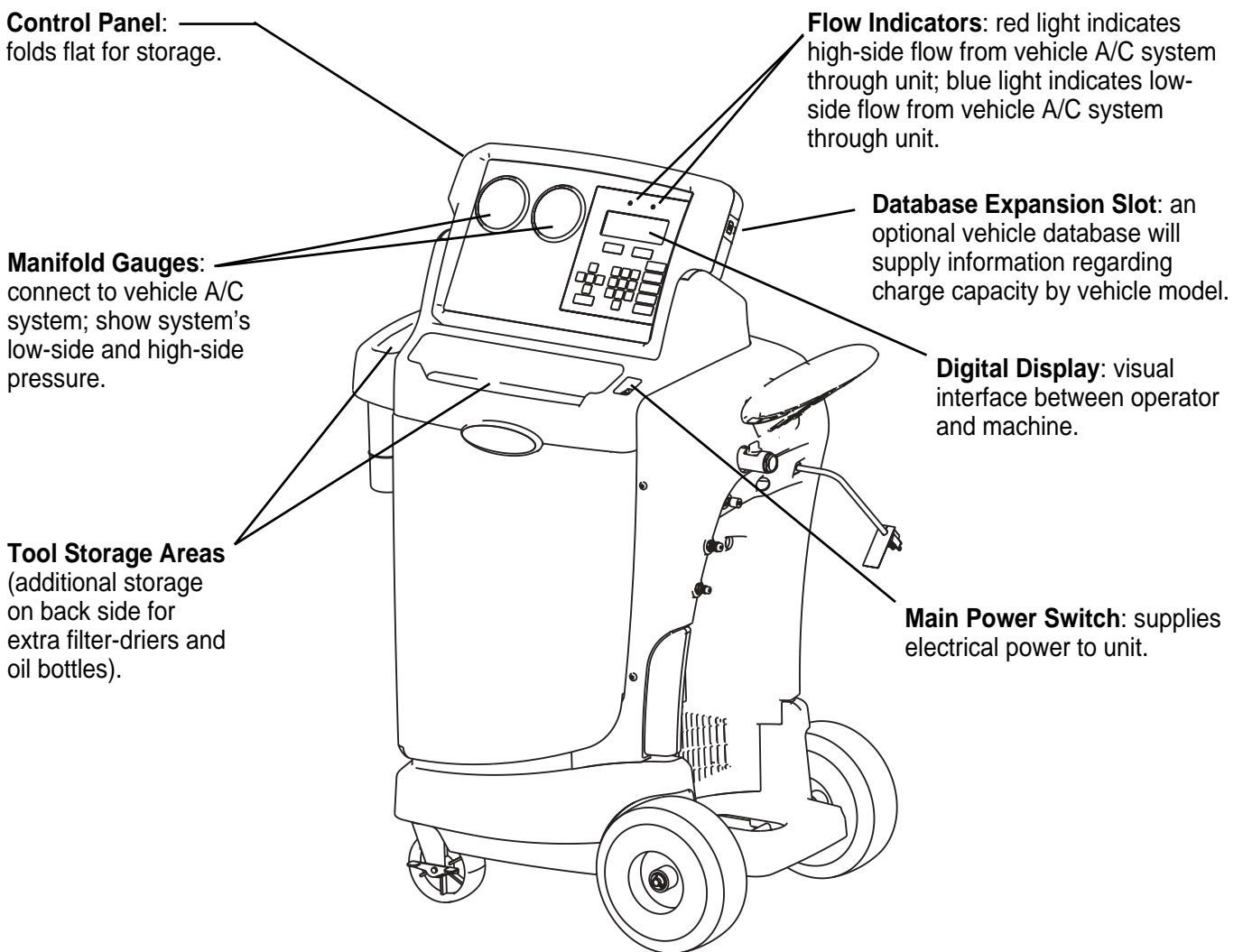
IMPORTANT: To comply with federal law governing A/C system service, you must complete and mail the MVAC Certification Form included in the accessory kit. Technicians using this equipment must be certified under EPA Section 609 (Environmental Protection Agency). For more information, read the MACS information included in the accessory kit, or visit the MACS website at www.macsw.org.

To validate the warranty provided by SPX Robinair, complete the warranty card included in the accessory kit, and mail it within ten days from the purchase date of the unit.

Introduction

Robinair No. 34788 is used on R-134a vehicles and is designed to be compatible with existing service equipment and standard service procedures. Model No. 34788 is a UL-listed, single-pass system that meets SAE specifications for recycled refrigerant. Follow the SAE-J2211 recommended service procedure for the containment of R-134a.

The unit includes a 3 cfm (85 l/m) Robinair high vacuum pump for fast, thorough evacuation. The compressor pulls the A/C system to 0 psig, then works in series with the vacuum pump to achieve highly efficient recovery and immediate recharge. If the system is not opened for service, there is no need to pull additional vacuum. If the system is opened for service, use the unit's vacuum cycle to remove air and moisture from the A/C system. (We recommend a minimum 15-minute vacuum, or follow the vehicle manufacturer's specs.) *Note: R-134a systems require special oils. Refer to the A/C system manufacturer's service manual for oil specifications.*



Technical Specifications

Voltage 115V, 60 Hz
Operating Range 50° to 120° F (11° to 49° C)
Filter-Drier 43 cu. in. spin-on type

Pump Free-Air Displacement 3 cfm (85 l/m)
Dimensions 49" H x 34" W x 23" D
 (124.5 cm x 86.4 cm x 58.4 cm)

Keypad Functions



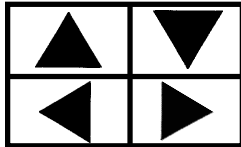
START / YES begins or resumes a function, or answers a query.



STOP / NO terminates or pauses a function, or answers a query.



MENU displays the selection menu.



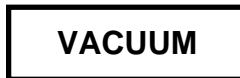
ARROWS are used for scrolling through menu items.



AUTOMATIC activates a menu that helps the user set up an automatic recover / vacuum / leak test / charge sequence.



RECOVER activates the recovery sequence.



VACUUM activates the vacuum sequence, followed by an option to activate a leak test.



INJECT OIL injects oil into the vehicle A/C system.

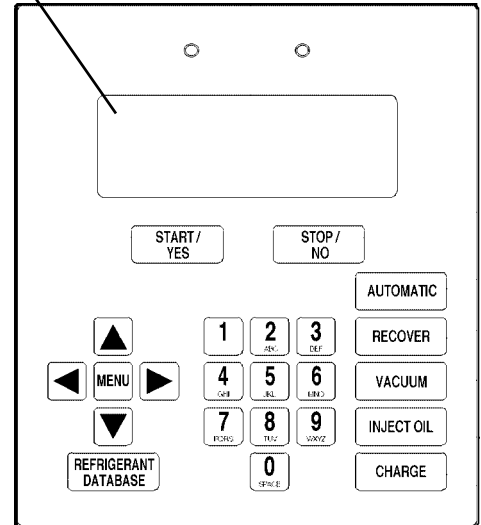


CHARGE charges the vehicle A/C system with a programmed amount of refrigerant.



REFRIGERANT DATABASE (optional) offers access to system oil and refrigerant specifications by vehicle model and year. Purchase Robinair part no. 34411.

When the unit is not performing a function, pressing the **UP** or **DOWN** arrow key adjusts contrast on the digital display.



Keypad

Glossary

A/C System : The vehicle air conditioning system being serviced.

Internal Storage Vessel : The refillable refrigerant storage vessel designed specifically for this unit; 30 lb. (14 kg).

Source Tank : A disposable tank of new refrigerant used to refill the internal storage vessel; not included.

Unit : Model No. 34788.

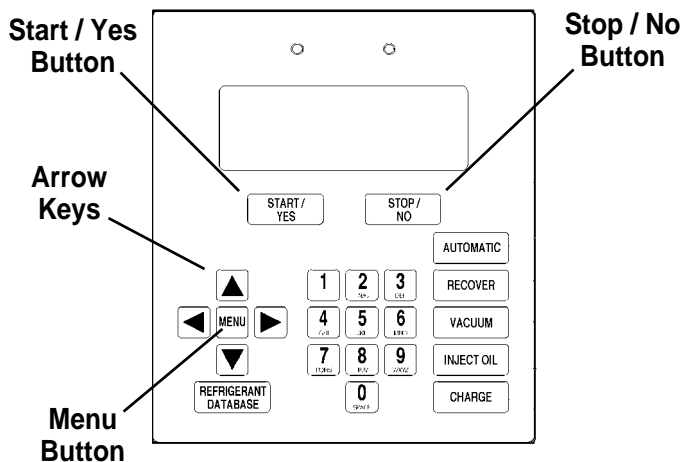
Introduction

Menu Functions

1. Press the **MENU** button on the keypad.
2. Press the **UP** or **DOWN** arrow key to scroll through the menu choices shown on the second line of the display :

SELECT LANGUAGE
SERVICE MENU
CALIBRATION CHECK
ADJUST TANK FILL LVL
MANUAL REFILL
REFRIG MANAGEMENT
MAINTAIN FILTER
MAINTAIN VACUUM OIL
SELECT UNITS
VERSION X.XX

3. Press **START / YES** to make a choice from the menu. Press **STOP / NO** to pause during any process, and **STOP / NO** a second time to exit a process.



Menu Choice: Select Language

Operator may choose to have prompts displayed in one of three languages: English, Spanish, or French.

Menu Choice: Service Menu

For Robinair service center use only.

Menu Choice: Calibration Check

Use to verify internal scale calibration. Refer to instructions in Maintenance section under *Scale Calibration Check*.

Menu Choice: Adjust Tank Fill Lvl

When connected to a refrigerant source, the unit maintains a pre-set amount of refrigerant in the internal storage vessel (default is 15 lbs.). This value may be adjusted up or down to suit the user's needs. Refer to instructions outlined in the Maintenance section under *Adjust Tank Fill Level*.

Menu Choice: Manual Refill

Use to transfer refrigerant from the source tank to the internal storage vessel (ISV). Refer to instructions outlined in the Maintenance section under *Manually Fill the ISV*.

Menu Choice: Refrig Management

Displays the amount of refrigerant recovered, charged, and replenished (for the life of the unit), and filtered (since the last filter change).

Menu Choice: Maintain Filter

The filter-drier removes acid, particulates, and moisture from the refrigerant. To meet SAE J-2788 requirements, it is mandatory to replace the filter-drier after 150 lbs. (68 kg) of refrigerant has been filtered. This menu item shows how much refrigerant has been filtered since the last filter change, and allows the user to reset the value once a filter change is complete. A code, which appears on the filter, must be entered into the unit to ensure compliance with SAE J-2788. Refer to the instructions outlined in the Maintenance section under *Replace the Filter-Drier*.

Menu Choice: Maintain Vacuum Oil

For maximum vacuum pump performance, change vacuum pump oil after every 10 hours of operation. This menu item displays how long the vacuum pump has operated since the last oil change, and allows the user to reset the value once an oil change is complete. Refer to the instructions outlined in the Maintenance section under *Change Vacuum Pump Oil*.

Menu Choice: Select Units

The operator may choose to have test results displayed in Imperial (lb.), Imperial (lb. and oz.), or Metric (kg).

Menu Choice: Version X.XX

Displays the revision level of the software in the unit.

Unpack the Accessory Kit

Unpack the accessory kit from the bag, and remove the plastic packaging. The kit consists of

- A calibration weight.
- Vacuum pump oil, oil filler cap, and tube.
- Plastic pouch containing a warranty card (to be completed and mailed), applicable MSDS sheets, a service center listing, and an envelope of Mobile Air Conditioning Society (MACS) information.

Important: You must complete and mail the MVAC Certification Form and your technicians must be certified with the Environmental Protection Agency (EPA) to operate this equipment.

Power Up the Unit

1. Unwind the power cord from the handle, and plug it into a correct voltage outlet. See Figure 1.
2. Turn on the main power switch. The first time the unit is powered up, it displays the initial setup mode.

Select a Language – English Seleccionar Idioma – Espanol Selection Langue – Francais

The operator may choose to have prompts displayed in one of three languages: English, Spanish, or French.

1. Use the **UP** or **DOWN** arrow key to toggle through the choices for English, Spanish, or French. Refer to Figure 2.
2. Press **START / YES** to select the displayed language.

Select Operating Units

The operator may choose to have test results displayed in Imperial (lb., or lb. and oz.) or Metric (kg) units.

1. Use the **UP** or **DOWN** arrow key to toggle through choices for IMPERIAL UNITS or METRIC UNITS.
2. Press **START / YES** to select the displayed operating unit choice.

IMPORTANT : R-134a systems have special fittings (per SAE specifications) to avoid cross-contamination with R-12 systems. DO NOT adapt your unit for a different refrigerant — system failure will result.

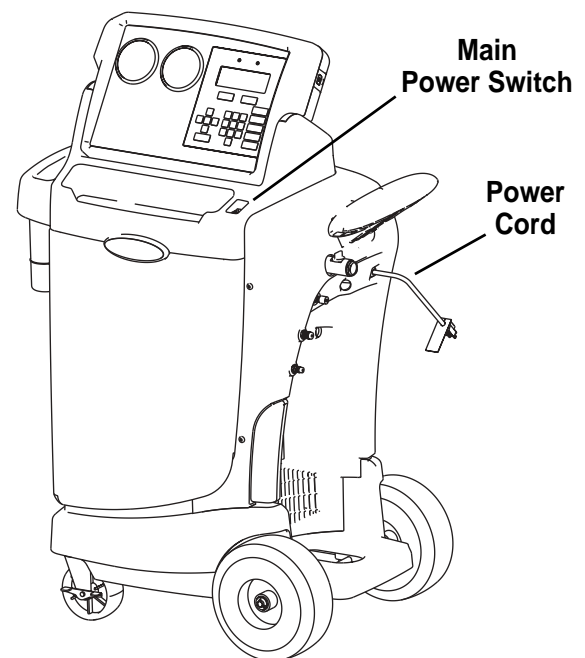


Figure 1

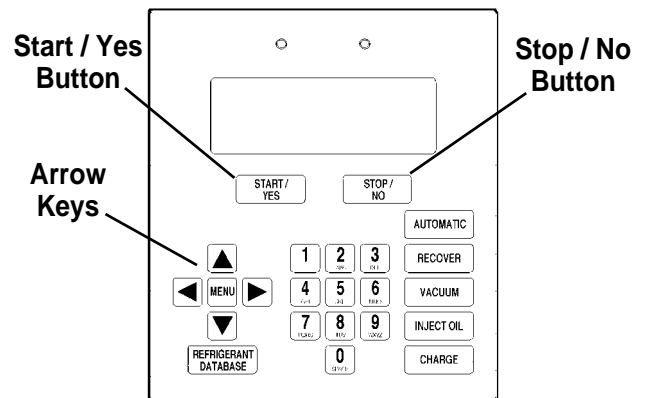


Figure 2

Setup

Set Tank Fill Level

The operator may either accept the unit's pre-set default weight of 15 lbs. (6.8 kg) of refrigerant stored in the internal storage vessel (ISV), or change the amount to accommodate the application.

The unit displays

LEVEL: 15.00 LBS.
ENTER TANK FILL LVL
LIMIT: 4 TO 20 LBS.
PRESS START / YES TO SAVE

1. Press **START / YES** to accept the default amount, or use the keypad to enter a desired amount and press **START / YES**.

Add Oil to the Vacuum Pump

IMPORTANT: The vacuum pump is shipped without oil in the reservoir. Failure to add oil to the vacuum pump will damage the pump.

The unit displays

ADD 5 OZ OF NEW OIL
TO VACUUM PUMP
START TO CONTINUE

1. Remove the brass plug from the vacuum pump oil fill port. See Figure 3.
2. Attach the flexible tube/cap to the oil bottle; pour **only** five (5) ounces of vacuum pump oil into the fill port. *Note: You will top off the oil in the next step as the vacuum pump is running.*
3. Press and release the **START / YES** key. While the vacuum pump is running, slowly add oil until the level rises to the center of the reservoir's sight glass.
4. Press the **STOP / NO** key to stop the vacuum pump, and install the brass plug in the fill port.
5. Press **START / YES** to continue.

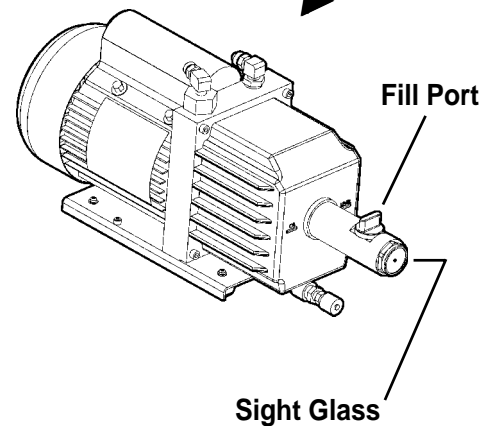
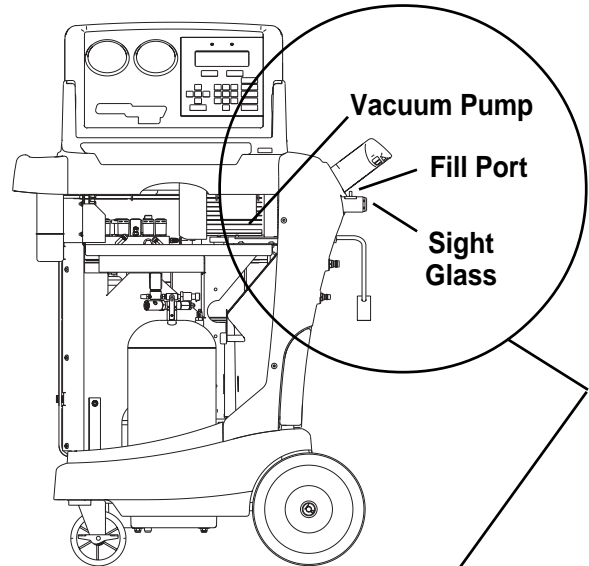


Figure 3

CAUTION: The unit is programmed to run the setup procedure as outlined here. To prevent personal injury, do **NOT** operate the unit at any other time without the brass plug installed, because the vacuum pump is pressurized during normal operation.

Fill the Internal Storage Vessel (ISV)

1. Press **START / YES**, and the unit automatically runs a 5-minute vacuum to clear all internal air.

Note: The “burping” noise heard during this process indicates air is being purged from the system—this is normal.

2. After the vacuum pump shuts off, connect the fill hose to the liquid connector on a full source tank.
3. Open the source tank valve.
4. Install the source tank, and secure it to the unit (using the tank strap) in such a way that liquid refrigerant is supplied to the connection.
5. Press **START / YES** to begin filling the internal storage vessel. Add at least 8 lbs. (3.6 kg) of refrigerant to ensure enough refrigerant is available for charging.

This process takes 15–20 minutes. The unit stops when a sufficient amount of refrigerant has been transferred to the internal tank, or when the source tank is empty.

Press **STOP / NO** to pause. Press **STOP / NO** again to exit, or **START / YES** to resume.

6. When the fill process is complete, press **STOP / NO** to exit. The unit is ready for operation.

Note: There is no need to calibrate the scale; it is calibrated at the factory.

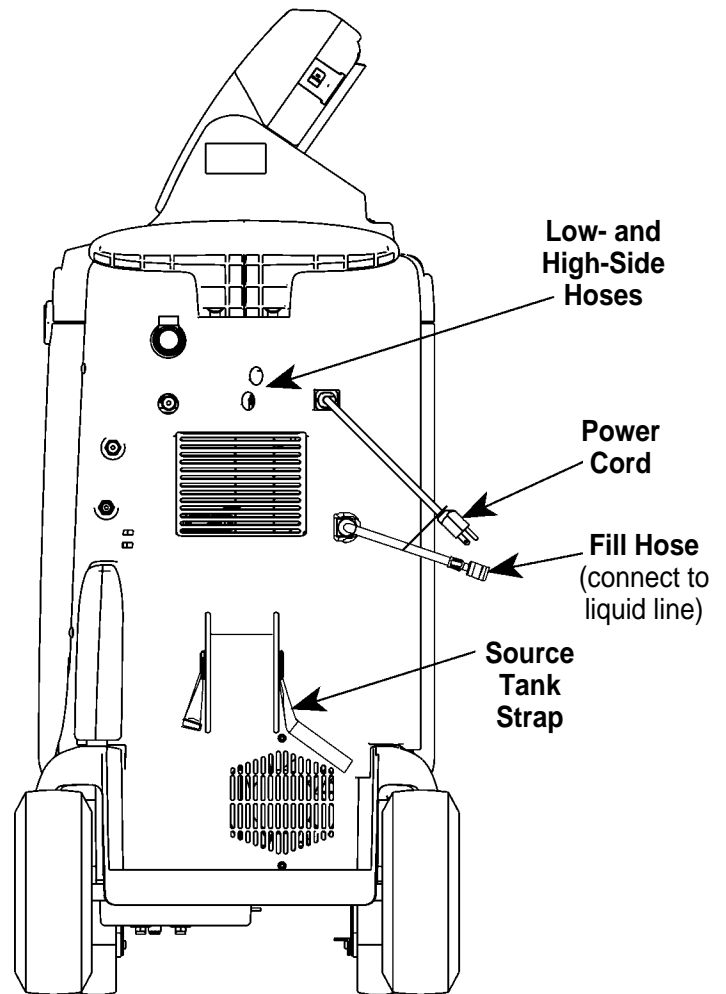


Figure 4
Side View

Operating Instructions

Recover Refrigerant from a Vehicle

1. Empty the oil drain bottle located on the right-hand side of the unit, if necessary, or make note of the current oil level. See Figure 5.
2. Connect the high- and low-side hoses to the vehicle A/C system.
3. Open the coupler valves on the hoses.
4. Press the **RECOVER** button.

Note: The clicking noise heard during the recovery process indicates the solenoid is opening and closing — this is normal.

5. When the system has recovered to 0 psi, the vacuum pump starts and runs until recovery is complete. The unit then goes into an automatic oil drain—this may require 90 seconds to complete.
6. After the oil drain is complete, the display shows

RECOVER COMPLETE
RECOVERED XX.XX LBS. (X.XX KG)
CHECK OIL BOTTLE

Note: The displayed recovered weight can vary, depending on ambient conditions, and should not be used as an indicator of scale accuracy.

7. Check the oil drain bottle, and note the amount of oil that was removed from the A/C system. This is the amount of oil that must be charged into the A/C system after evacuation is complete.

Recovery is complete. You are now ready to either advance to the charge process, or to make repairs to the A/C system followed by the evacuation process.

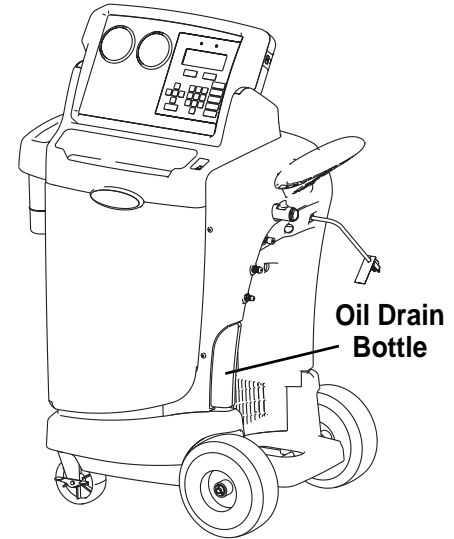


Figure 5

Operating Tips

After the **RECOVER** function is selected :

- If system pressure is below 10 psi, the display reads

LOW RECOVER PRESSURE
CHECK CONNECTIONS

*until pressure increases, or the **START / YES** button is pressed. Verify the high- and low-side hoses are connected and coupler valves are open. Press **STOP / NO** to exit.*

- If 100 lbs. (45 kg) or more of refrigerant has been recovered since the last filter-drier change, the display reads

FILTER WEIGHT XXX LB (XX KG)

To meet SAE J-2788 requirements, it is mandatory to replace the filter-drier after 150 lbs. (68 kg) of refrigerant has been filtered. The unit gives a warning to replace the filter when filter weight reaches 100 lbs.; when filter weight reaches 150 lbs., the unit locks out and ceases to operate. Refer to instructions outlined in the Maintenance section under Replace the Filter-Drier.

- If the unit has refrigerant in its low-side plumbing, it begins a clearing process and displays

RECOVER IN PROGRESS
CLEARING

*If you wish to skip the clearing operation, or stop the clearing prematurely, press **START / YES**.*

Operating Instructions

Evacuate the A/C System

1. Ensure service hoses are connected, and coupler valves are OPEN.
2. Press **VACUUM**.
3. Press **START / YES** to accept the default evacuation time of 10 minutes, or enter the desired vacuum time using the number keys, and press **START / YES**.

IMPORTANT: The unit pulls a vacuum on the vehicle A/C system to remove air and boil off moisture that may be present in the system. Evacuate the system for at least 10 minutes, or follow the A/C system manufacturer's specifications, to ensure adequate moisture and contaminant removal.

4. The unit gives you the option of doing a leak test after evacuation.
Press **START / YES** to perform the leak test.
Press **STOP / NO** to skip the leak test and begin evacuation.
5. The unit evacuates the A/C system and stops when the specified amount of time has elapsed.
Press **STOP / NO** to pause the process. Press **START / YES** to resume, or **STOP / NO** again to exit.

You are now ready to replenish the A/C system oil, if necessary, or to recharge the system with refrigerant.

Operating Tips

- *If the vacuum pump has run for 10 or more hours without an oil change, the unit displays*

VACUUM OIL TIME XX:XX
CHANGE OIL NOW?

Refer to instructions outlined in the Maintenance section under Change Vacuum Pump Oil.

- *Before the unit begins evacuating the A/C system, it checks for any pressure in the system that might damage the vacuum pump. If pressure is detected, the unit displays*

PRESSURE EXISTS
PRESS ANY KEY TO EXIT

Press any key to exit, and recover refrigerant before proceeding.

- *If a leak test was selected at the end of vacuum, and a leak is detected, the unit displays*

LEAK TEST FAILED
PRESS ANY KEY TO EXIT

Press any key to exit the evacuation, perform needed repairs, and repeat the evacuation.

- *To ensure an accurate leak test, it is imperative that a thorough recovery and evacuation of the system be performed. During the recovery process, cold spots can develop in the automotive system. Pockets of refrigerant in desiccant and in system oil will continue to vaporize as the A/C system temperature equalizes toward ambient. As this occurs, A/C system pressure will increase, which may be interpreted by the unit as a leak.*

This will vary somewhat with ambient temperature conditions.

Replenish A/C System Oil

Oil may be replenished through the high side after the vacuum function, or with an oil inject tool after charging the vehicle.

IMPORTANT : To prevent damage to equipment, charge only the amount of oil that was removed from the A/C system during the recovery process. If no oil was removed from the A/C system during recovery, DO NOT charge any oil into the A/C system.

Empty the oil drain bottle before recovering an A/C system to prevent an inaccurate oil charge.

1. Refer to the vehicle service manual, or the optional vehicle reference database card, to determine the correct oil for the A/C system being serviced.
2. Check the oil drain bottle to determine the amount of oil that was removed. See Figure 6.
3. Adjust the o-ring around the oil injector bottle to the required oil charge level.

For example, if the bottle's oil level is at 4 ounces, and you need 1/2 ounce of oil to replenish the A/C system, place the o-ring at the 3-1/2 ounce level.

4. Attach the oil injector bottle to the unit.
5. Press the **INJECT OIL** button. The unit looks for pressure in the hoses, and temporarily displays **EQUALIZING PRESSURE**.
6. When prompted, press and hold the **INJECT OIL** button until the oil level in the oil injector bottle reaches the o-ring.
7. Press **STOP / NO** after the oil inject is complete to recharge the system with refrigerant. The display will prompt into the charge mode. (Charge mode after injecting oil will allow only a high-side charge.)

Note: You must recharge the A/C system with refrigerant at this time to ensure all the oil is delivered.

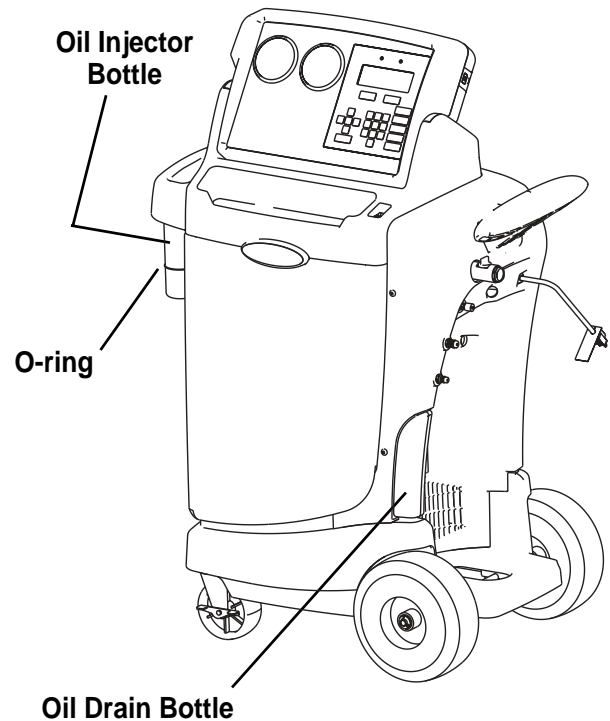


Figure 6

Operating Instructions

Recharge the A/C System

1. Press **CHARGE**. Press **CHARGE** again to toggle between a high-side charge, a low-side charge, or both.

Note:

- Charge mode after injecting oil will allow only a high-side charge.
- The blue light on the control panel indicates a low-side charge; the red light indicates a high-side charge. See Figure 7.

2. Accept the default weight by pressing **START / YES**, or type in a weight using the number keys, and press **START / YES**.
3. Select **START / YES** to perform an oil inject; select **STOP / NO** to skip the oil inject.
4. After a valid charge weight is entered, the display reads
CHARGE IN PROGRESS / DO NOT DISTURB
X.XX LBS. (X.XX KG)

Moving or bumping the unit at this point may result in an incorrect reading.

Note:

- During a charge cycle, if the unit fails to transfer refrigerant due to low tank pressure, the charge process is automatically interrupted and the unit operates in a mode to build tank pressure. Once tank pressure is sufficient, the unit automatically completes the charge.
- When the charge cycle gets close to the weight entered in Step 2, the unit slows down. It'll charge, settle, charge again, settle, etc., with the blue/red lights illuminating accordingly.

5. When the charge is complete, the display reads
CHARGED XXX LBS (KG)
PRESS START TO EQUALIZE HOSES

The user must equalize pressure in the service hoses to ensure all liquid refrigerant trapped in the hoses is transferred to the vehicle A/C system for an accurate charge. Press **START / YES** to equalize hoses.

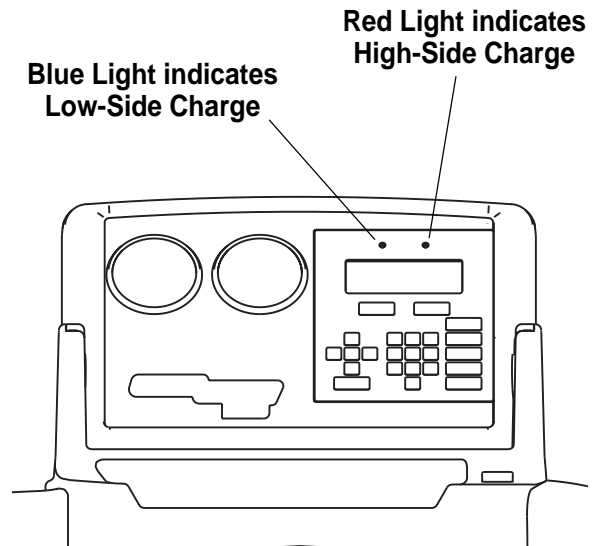


Figure 7

Operating Tips

After selecting the **CHARGE** function and entering a desired weight, if the weight entered will leave less than 3 lbs. (1.36 kg) of refrigerant in the internal tank after charge, the charge function will not start. The display reads

INSUFFICIENT REFRIG.
PRESS ANY KEY TO EXIT

Refer to the Maintenance section of this manual for instructions to Manually Refill the Internal Storage Vessel (ISV).

Recharge the A/C System contd.

6. Close the high-side coupler valve. The display reads

DISCONNECT HS HOSE
AND START A/C MAX
START TO CONTINUE

The high-side hose may be removed from the vehicle, but **the low-side hose must stay connected to the vehicle** with the low-side coupler open.

7. Place the vehicle gear selector in park or neutral, with the emergency brake ON.
8. Start the vehicle. The A/C system should be set at maximum.
9. Press **START / YES**. The display reads

EQUALIZING HOSES
PLEASE WAIT

The unit internally connects the low- and high-side hoses, allowing the vehicle's compressor to pull refrigerant into the A/C system. When the charge is complete, the display shows

DISCONNECT LOW SIDE HOSE
START TO CONTINUE

10. Close the low-side coupler valve. Remove the service hoses from the A/C system.

IMPORTANT: If the low-side or high-side coupler valves are left open, the system will pull the refrigerant back out of the vehicle.

11. Shut OFF the vehicle.
12. Press **START / YES** to begin clearing the hoses.

CLEARING HOSES
PLEASE WAIT

When the hoses are cleared, the display reads

CHARGE COMPLETE
CHARGED XX.XX LBS
ANY KEY EXITS

The A/C system is now ready for use.

 **WARNING: To prevent personal injury,**

- **Verify the vehicle is in park or neutral with the emergency brake ON before starting the engine.**
 - **Never run a vehicle without adequate ventilation in the work area.**
-
-

Operating Instructions – Automatic

The automatic function allows a user to program an automatic recovery, vacuum, leak test, and / or charge sequence. The user may choose to skip any step in the automatic operation during the programming. A total automatic sequence may take an hour to complete.

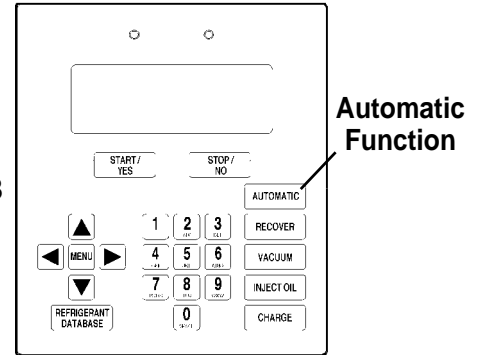
Note: Oil recovered during the recovery cycle can be injected by the user before the charge cycle, or can be manually injected into the vehicle after charge using a separate oil injection tool.

1. Connect the high- and low-side service hoses to the A/C system, and open the coupler valves on the hoses.
2. Press the **AUTOMATIC** button. See Figure 8.
3. The unit asks if a recovery is needed. Press **STOP / NO** to skip the recovery cycle; press **START / YES** to accept.
4. The unit asks if a leak test is needed. Press **STOP / NO** to skip the leak test; press **START / YES** to accept.
5. The unit asks if a charge is needed. Press **STOP / NO** to skip the charge cycle; press **START / YES** to accept. Press **CHARGE** to toggle between high- or low-side charge, or both.
Accept the default weight by pressing **START / YES**, or type in a desired weight using the number keys and press **START / YES**.
6. The display shows an overview of all the tests that were selected. Press **START / YES** to begin the automatic sequence.

Note : If a high-side charge has been selected, before charging, the automatic sequence will pause and “beep” for 30 seconds to allow the user to inject oil, if desired. See Replenish the A/C System Oil instructions in this manual.

7. When the sequence is complete, the display shows the amount of refrigerant that was recovered and charged.
8. Close the high- and low-side coupler valves, and remove the service hoses from the A/C system.
9. If any oil was recovered during the recovery cycle, and oil was not injected before the charge cycle, use an oil injection tool at this time to manually inject oil into the A/C system.

Figure 8



Operating Tips

- If the weight entered is more than the refrigerant available in the internal tank, the charge function will not start. The display reads

INSUFFICIENT REFRIG.
PRESS ANY KEY TO EXIT

Refer to the Maintenance section of this manual for instructions to Manually Fill the ISV.

- If problems are encountered during the automatic sequence, the unit will “beep” three times and the control panel readout will pinpoint the problem encountered. The sequence remains paused until the user enters a decision regarding how to proceed.
- Before the unit begins evacuating the A/C system during the automatic sequence, it checks for any pressure in the system that may damage the vacuum pump. If pressure is detected, the unit displays

PRESSURE EXISTS
PRESS ANY KEY TO EXIT

Press any key to exit the automatic sequence.

- If a leak test was programmed, and a leak is detected, the unit displays

LEAK TEST FAILED
PRESS STOP TO EXIT
PRESS START TO CONTINUE

*Press **STOP** to exit the automatic sequence and perform needed repairs. Press **START** to continue the automatic sequence despite the failed leak test.*

- To ensure an accurate leak test, it is imperative that a thorough recovery and evacuation of the system is performed. During the recovery process, cold spots can develop in the automotive system. Pockets of refrigerant in desiccant and in system oil will continue to vaporize as the A/C system temperature equalizes toward ambient. As this occurs, A/C system pressure increases, which may be interpreted by the unit as a leak. This varies somewhat with ambient temperature conditions.

General Maintenance

1. On a regular basis, wipe off the unit using a clean cloth to remove grease and dirt.
2. Periodically check internal components for leaks; over time, fittings can loosen as the unit is moved. Open the door panel, and trace lines using a leak detector. Check connections on the back of the unit. Tighten any loose fittings or connections you may find.

Electrical Protection

The unit is equipped with a 15 amp circuit breaker on the back panel. See Figure 9. If the breaker trips, its button will pop out. A tripped circuit breaker will cause the unit to lose all power.

Press the circuit breaker button to reset.

Manually Fill the Internal Storage Vessel (ISV)

This menu item is used to transfer refrigerant from a source tank to the internal storage vessel.

Note: If a refrigerant source tank remains connected to the unit during normal operation, the correct amount of refrigerant will automatically be maintained in the ISV. The ISV may be manually refilled, if necessary.

1. Press **Menu**, and use arrow keys to select **MANUAL REFILL**. Press **START / YES**. The unit displays

CONNECT SOURCE TANK
START TO BEGIN

2. Connect the fill hose to a full source tank, and open the source tank valve.

3. Install the source tank, and secure it to the unit with the source tank strap in such a way that liquid refrigerant is supplied to the connection.

4. Press **START / YES** to begin. The display shows

TANK FILL IN PROGRESS
TRANSFER XX LBS

5. The unit automatically stops when the preset tank fill level is reached, or press **STOP / NO** to exit.

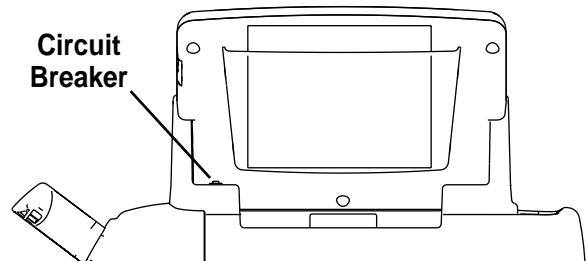


Figure 9
Back View

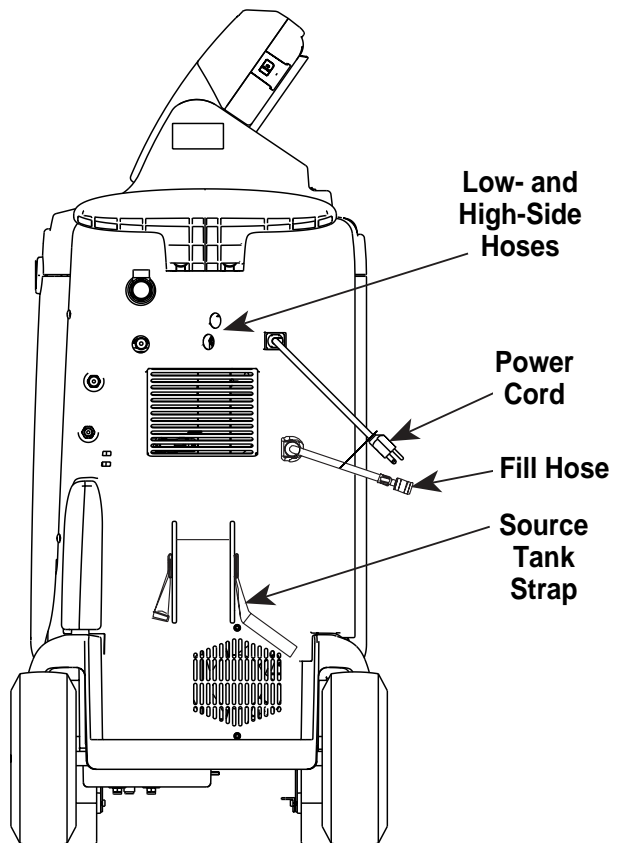


Figure 10
Side View

Maintenance

Replace the Filter-Drier

The filter-drier is designed to trap acid and particulates, and to remove water from refrigerant. To meet the SAE J-2788 mandate for adequate moisture and contaminant removal, the filter-drier must be replaced after 150 lbs. (68 kg) of refrigerant has been filtered.

Therefore, you no longer have a choice—the filter-drier must be replaced. The unit gives a warning when 100 lbs. of the filter capacity has been used; **the unit locks down when the 150 lb. filter capacity has been reached and will no longer function.** For this reason, always have a spare Robinair No. 34724 filter-drier on hand.

Check Remaining Filter Capacity

1. Press **MENU**.
2. Use the arrow keys to scroll through the menu to **MAINTAIN FILTER**, and press **START / YES**.
The unit displays

XXX LBS FILTERED
RECOVER LOCKOUT IN XXX LBS
REPLACE FILTER NOW?
PRESS STOP TO EXIT

3. Press **STOP / NO** to exit.

Change the Filter

1. Press **MENU**.
2. Use the arrow keys to scroll through the menu to **MAINTAIN FILTER**, and press **START / YES**.
The unit displays

XXX LBS FILTERED
RECOVER LOCKOUT IN XXX LBS
REPLACE FILTER NOW?
PRESS STOP TO EXIT

3. Press **START / YES** to proceed.
4. If there is pressure in the filter, the unit begins a clearing process. When complete, the display reads **ENTER 10 DIGIT SERIAL NUMBER**. Use the keypad to enter the serial number that appears on the new filter-drier, and press **START / YES**.

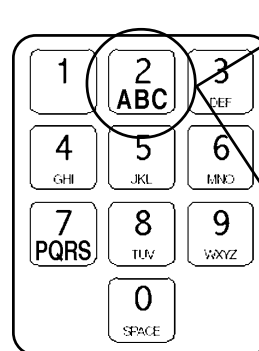
IMPORTANT: Use only authentic Robinair No. 34724 filter-driers in this machine. All performance tests and claims are based on using this specific filter-drier.

And only the Robinair No. 34724 filter-drier includes the code necessary to make the unit operable again.

Operating Tips

Enter the Serial No. for a New Filter-Drier

The numerical keys on the keypad include an alphabet that is used to enter the serial number code for the new filter-drier. The procedure is similar to text messaging. For example,



To enter an “A”:

Press the **2** key once to see the “**2**” on the digital display; press the **2** key again to display the “**A**”.

To enter a “C”:

Press the **2** key once to see the “**2**” on the digital display; press the **2** key three more times to see the “**C**” on the display.

After the appropriate letter is shown on the display, pause for a moment until the cursor moves to the next position.

Replace the Filter-Drier contd.

5. The display reads **PLEASE REPLACE FILTER**.
Open the rear door of the unit and unscrew the old filter. See Figure 11.
6. Look at the new filter—verify both o-rings are lubricated and correctly located in the grooves. See Figure 12. Thread the new filter into place. Press **START / YES**.

Note: If the display shows SERIAL NUMBER ERROR, the serial number is invalid or the filter-drier has already been used in this unit.

7. Close the door. Press **STOP / NO** to exit. The filter-drier replacement is now complete.

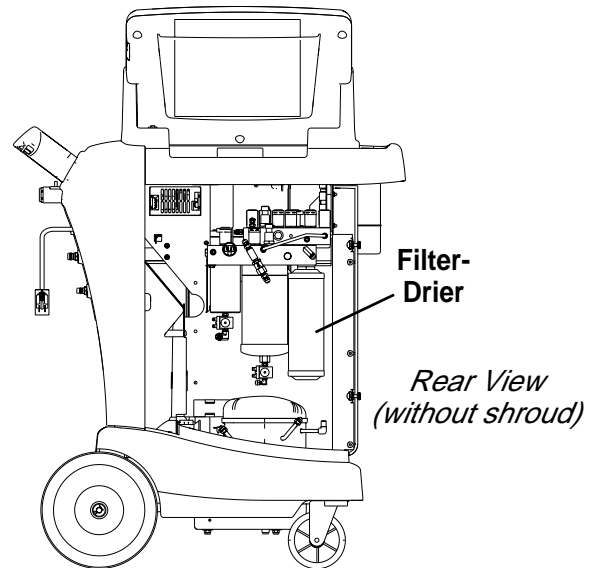


Figure 11

Adjust Tank Fill Level

When connected to a refrigerant source, the unit maintains a default value of 15 lbs. of refrigerant in the internal storage vessel. This value may be adjusted up or down to suit the application.

1. Press **MENU**.
2. Use the arrow keys to scroll through the menu to **ADJUST TANK FILL LVL**, and press **START / YES**. The unit displays
LEVEL: 15.00 LBS.
ENTER TANK FILL LVL
LIMIT: 4 TO 20 LBS.
PRESS START / YES TO SAVE
3. Use the keypad to enter a value between 4 lbs. and 20 lbs., and press **START / YES**.

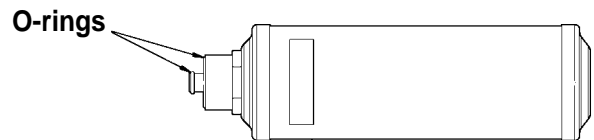


Figure 12

Maintenance

Change Vacuum Pump Oil

For maximum vacuum pump performance, change the vacuum pump oil after every 10 hours of operation. (The unit will display a prompt after 10 hours of operation.)

1. Press **MENU**. Use the arrow keys to select **MAINTAIN VACUUM OIL**, and press **START / YES**. The display shows how long the vacuum pump has operated since the last oil change:

PUMP OIL TIME X:XX
TIME REMAINING X:XX
CHANGE OIL?

2. Press **START / YES**. The display shows **VACUUM OIL CHANGE TIME 2:00**, and counts down to zero. Allow the vacuum pump to run until it automatically stops. The display then shows **DRAIN OLD OIL AND ADD 5 OZ NEW OIL**.
3. Refer to Figure 13, and remove the brass plug from the vacuum pump's oil fill port. (The pump drains faster when vented.)
4. Remove the oil drain fitting cap, and drain the oil into a suitable container for disposal. Replace the cap.
5. Attach the flexible tube and cap to the oil bottle; pour five (5) ounces of vacuum pump oil into the fill port.
6. Press **START / YES**. The display shows **FILL PUMP TO CENTER OF SIGHT GLASS**, and the vacuum pump starts. While the vacuum pump is running, slowly add oil until the level rises to the center of the reservoir's sight glass.
7. Press **STOP / NO**. The counter resets to zero after a vacuum pump oil change has been completed.
8. Replace the brass plug on the fill port. Press **STOP / NO** to exit to the Main Menu.

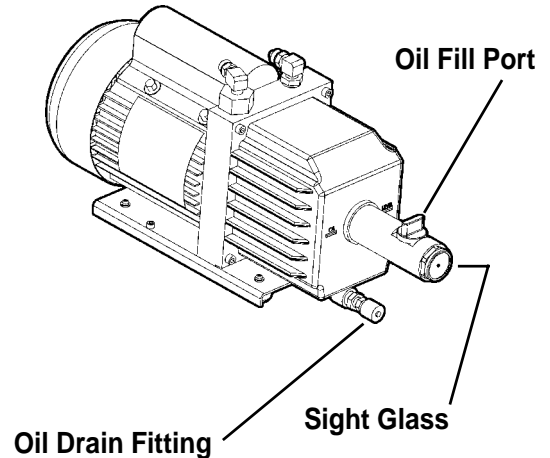


Figure 13

Review the laws in your jurisdiction to determine the correct disposal procedure for pump oil. It is the responsibility of the user to determine if a material is a hazardous waste at the time of disposal. Ensure you are in compliance with all applicable laws and regulations.

⚠ CAUTION: To prevent personal injury, do NOT operate the unit at any time without the brass plug installed, because the vacuum pump is pressurized during normal operation.

Scale Calibration Check

The calibration check is used to ensure that the unit's internal scale is always calibrated. During this test, use only the calibration weight that is provided with the unit.

1. Press **Menu**.
2. Use the arrow keys to scroll to **CALIBRATION CHECK**.
3. Refer to Figure 14, and verify the magnet on the bottom of the unit is clean. Press **START / YES**.
4. The display reads
**ATTACH THE WEIGHT TO THE BOTTOM OF THE MACHINE
PRESS START TO CONTINUE**
5. Attach the weight provided to the magnet on the bottom of the unit. Press **START / YES**.
 - If the display shows **CALIBRATION APPROVED**, the scale is in calibration. Press any key to exit.
 - If the display shows **CALIBRATION REJECT**, the scale is out of calibration. Call your local service center for assistance.
 - If the display shows **CALIBRATION ERROR 1**, verify the calibration weight is correctly attached to the magnet, and verify the magnet is clean with nothing attached to it. If that does not correct the problem, call your local service center for assistance.

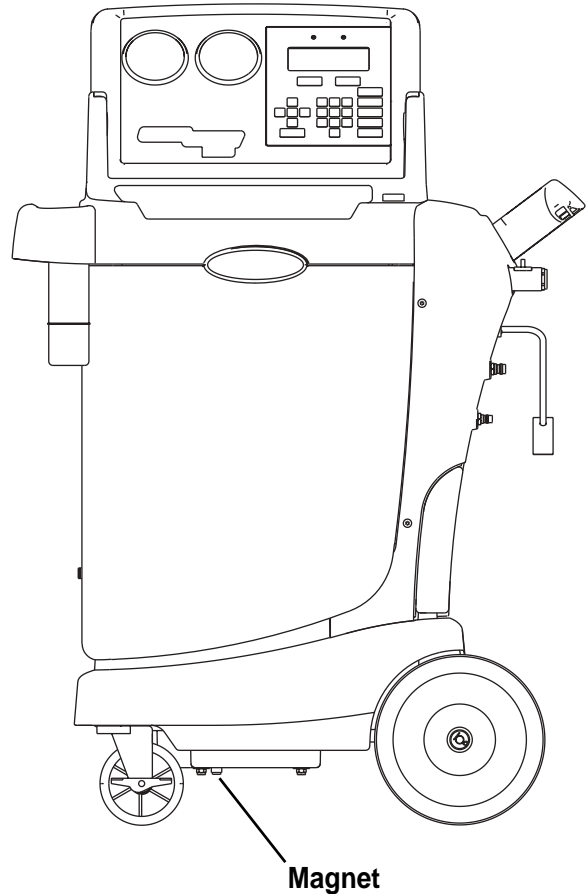


Figure 14

Check for Leaks

Check the unit for leaks every three months, or as specified by law in your jurisdiction.

1. Turn off **MAIN POWER**, and disconnect the power cord from the outlet.
2. Open the rear door; remove top cover and front panel.
3. Use a leak detector to probe all connections for refrigerant leaks. Tighten fittings if a leak is indicated.
4. Reassemble the body panels, and close the rear door.

**Inspect the unit periodically for leaks.
The manufacturer does not reimburse
for lost refrigerant.**

Maintenance

Replacement Parts

Component	Replacement Part No.
Filter-Drier	34724
Calibration Weight	540066
Service Coupler Set <i>(high- and low-side couplers)</i>	18192
Service Hose Set <i>(high- and low-side hoses)</i>	34722
Vacuum Pump Oil <i>(case of 12 quarts)</i>	13203
Vacuum Pump Oil <i>(case of 4 gallons)</i>	13204
Maintenance Kit	13172
Vinyl Dust Cover <i>(optional)</i>	17488
Vehicle Database <i>(optional)</i>	34411

Robinair Limited Warranty Statement

Rev. November 1, 2005

This product is warranted to be free from defects in workmanship, materials, and components for a period of one year from date of purchase. All parts and labor required to repair defective products covered under the warranty will be at no charge. The following restrictions apply:

1. The limited warranty applies to the original purchaser only.
2. The warranty applies to the product in normal usage situations only, as described in the Operating Manual. The product must be serviced and maintained as specified.
3. If the product fails, it will be repaired or replaced at the option of the manufacturer.
4. Transportation charges for warranty service will be reimbursed by the factory upon verification of the warranty claim and submission of a freight bill for normal ground service. Approval from the manufacturer must be obtained prior to shipping to an authorized service center.
5. Warranty service claims are subject to authorized inspection for product defect(s).
6. The manufacturer shall not be responsible for any additional costs associated with a product failure including, but not limited to, loss of work time, loss of refrigerant, cross-contamination of refrigerant, and unauthorized shipping and/or labor charges.
7. All warranty service claims must be made within the specified warranty period. Proof-of-purchase date must be supplied to the manufacturer.
8. Use of recovery/recycling equipment with unauthorized refrigerants or sealants will void warranty.
 - Authorized refrigerants are listed on the equipment or are available through the Technical Service Department.
 - The manufacturer prohibits the use of the recovery/recycling equipment on air conditioning (A/C) systems containing leak sealants, either of a seal-swelling or aerobic nature.

This Limited Warranty does NOT apply if:

- The product, or product part, is broken by accident.
 - The product is misused, tampered with, or modified.
 - The product is used for recovering or recycling any substance other than the specified refrigerant type. This includes, but is not limited to, materials and chemicals used to seal leaks in A/C systems.
-



Visit our web site at
www.robinair.com

or

Call our Toll-Free
Technical Support Line at
800-822-5561

in the continental U.S. or Canada.

In all other locations, contact your local distributor. To help us serve you better, please be prepared to provide the model number, serial number, and date of purchase of your unit.

To validate your warranty, complete the warranty card attached to the unit, and return it within ten days from date of purchase.

NATIONWIDE NETWORK OF AUTHORIZED SERVICE CENTERS

If your unit needs repair or replacement parts, contact the service center in your area. For help in locating a service center, call the toll-free technical support line or visit www.robinair.com.

Due to ongoing product improvements,
we reserve the right to change design,
specifications, and materials without notice.

The Robinair 34788 unit is designed to meet all applicable agency certifications, including Underwriter's Laboratories, Inc., SAE Standards, and CUL.

Certain state and local jurisdictions dictate that using this equipment to sell refrigerant by weight may not be permitted. We recommend charging for any A/C service by the job performed.

This weight scale provides a means of metering the amount of refrigerant needed for optimum A/C system performance as recommended by OEM manufacturers.



*SPX Corporation
655 Eisenhower Drive
Owatonna, MN 55060-0995 USA
Tech Services: 1-800-822-5561
Fax: 1-412-690-2001
Customer Service: 1-800-533-6127
Fax: 1-800-322-2890
Web site: www.robinair.com*