

VERTICAL SHAFT ASSEMBLY

PARTS LIST

ITEM NUMBER	QUANTITY	PART NUMBER	DESCRIPTION
1	1	20400300	Body (Ref.)
2	1	09424	Groove Pin (5/32 X 1")
3	1	20400019	Upper Collar
4	1	06254	Oiler
5	1	08447	Handwheel Handle
6	1	20407314	Vertical Shaft Assembly
7	1	20400075	Vertical Shaft Handwheel
8	1	20400018	Handwheel Spring
9	1	20408010	Gear
10	1	20400076	Vertical Shaft Handwheel Hub Assy.
11	1	20400019	Lower Collar
12	1	09424	Groove Pin (5/32 X 1")
13	1	20400014	Shaft Gear
14	1	07180	Pilot Key
15	1	20408011	Shaft
16	1	23550	Adjusting Screw
17	1	20400016	Ball Bearing Housing
18	1	24348	O-Ring (.125 X 1.625)
19	1	07884	Hex Nut (1/2 -20)
20	1	24351	Ball Bearing
21	1	24352	Retaining Ring
22	1	09424	Groove Pin (5/32 X 1")
23	1	20400015	Vertical Shaft Helical Gear
24	1	16074	Retaining Ring
25	1	20408012	Feed Clutch Hub Assy.
26	1	20400020	Vertical Shaft Clutch
27	1	17510	Spiral Pin (.078 X .625)
28	1	24394	Compression Spring
29	1	20400040	Hub Detent
30	1	20400022	Clutch Lever
31	1	24353	Lever Ball 3/4" Diameter
32	1	20400021	Feed Clutch Hub Assy. (upper)
33	1	09978	Dowel Pin 3/8" x 2
34	1	24025	Set Screw (3/8-24 x 1/2")
35	1	24354	Button Socket Head Screw 3/8"-24 x 1"
36	1	16747	Dowel Pin (1/4 x 1-1/4)
37	1	16625	Oiler 7/16" Drive

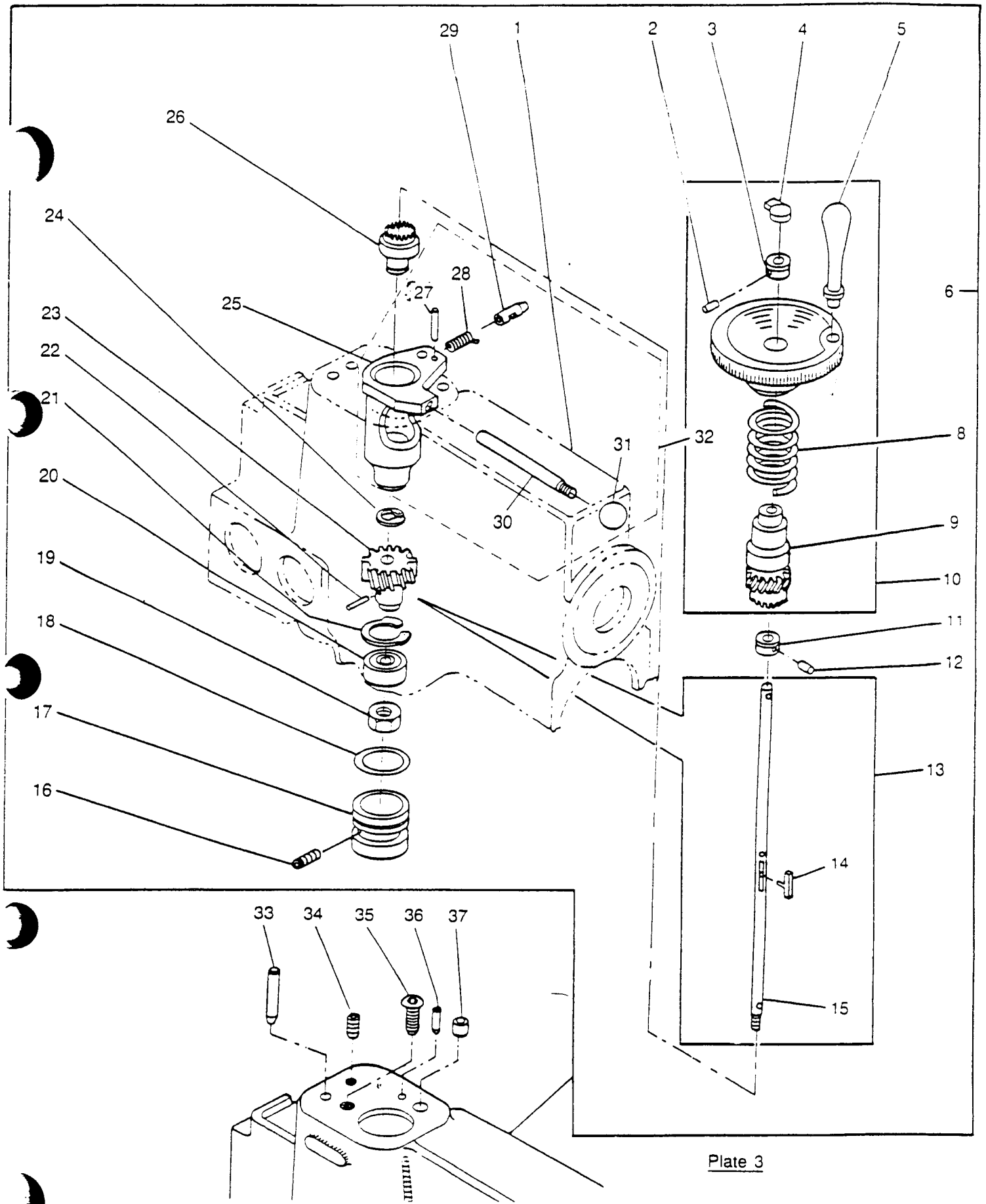


Plate 3

BASIC MACHINE - ALL MODELS

PARTS LIST

ITEM NUMBER	QUANTITY	PART NUMBER	DESCRIPTION
1		20400300	Body (Ref.)
2	1	18428	Breather
3	1	14363	Spindle Bearing (1984 & On)
		30200006	Bearing (Prior to 1984)(Not Shown)
4	1	41569	Front Bearing Oil Seal
5	1	30400065	Work Light Window
6	4	05021	Screw (10-32 x 3/8)
7	4	14160	Washer (#10)
8	1	16897	Spindle Key
9	1	20400003	Spindle
10	1	20400038	Serial No. Plate
11	4	05353	Screw (1/4 x 2 type U)
12	1	20400013	Output Shaft Spiral Gear
13	1	20408018	Shaft
14	1	20400012	Output Shaft Assembly
15	2	20400097	Plastic Shim
16	2	20400010	Paper Shim
17	1	20400039	Cap
18	2	07711	Seal
19	1	20400120	Pulley for Belt
20	4	08004	Hex Head Cap Screw .25-20 x .625
21	4	18100	Internal Lockwasher (1/4")
22	4	05577	Washer SAE 1/4"
23	2	05144	Hex Head Screw (5/16-18 x 3/4)
24	2	05888	Lockwasher (5/16)
25	2	05489	Washer (.312 flat SAE)
26	1	20400821	Zero Max Support Bracket
27	1	26790	Handle with Screws
28	1	20400094	Decal
29	1	20407317	Zero Max Assembly
30	1	20400093	Decal
31	4	05624	Screw comes with 24349 - 20400120
32	2	25206	Disc Coupling
33	1	24349	Coupling
34	2	19910	Button Socket Head Screw(1/4-20x.375)
35	1	20400061	Zero Max Coupling Guard
36	6	05144	Hex Head Cap Screw (5/16-18 x 3/4)
37	6	05489	Washer (.312 flat SAE)
38	1	20400009	Worm Bearing Cap
39	1	05021	Screw (10-31 x 3/8)
40	1	20400163	Pointer
41	1	24347	Roller Bearing
42	1	11558	Groove Pin (3/16 x 1-1/4")
43	1	23550	Adjusting Screw (Ref.)(1/2-20 x 1)

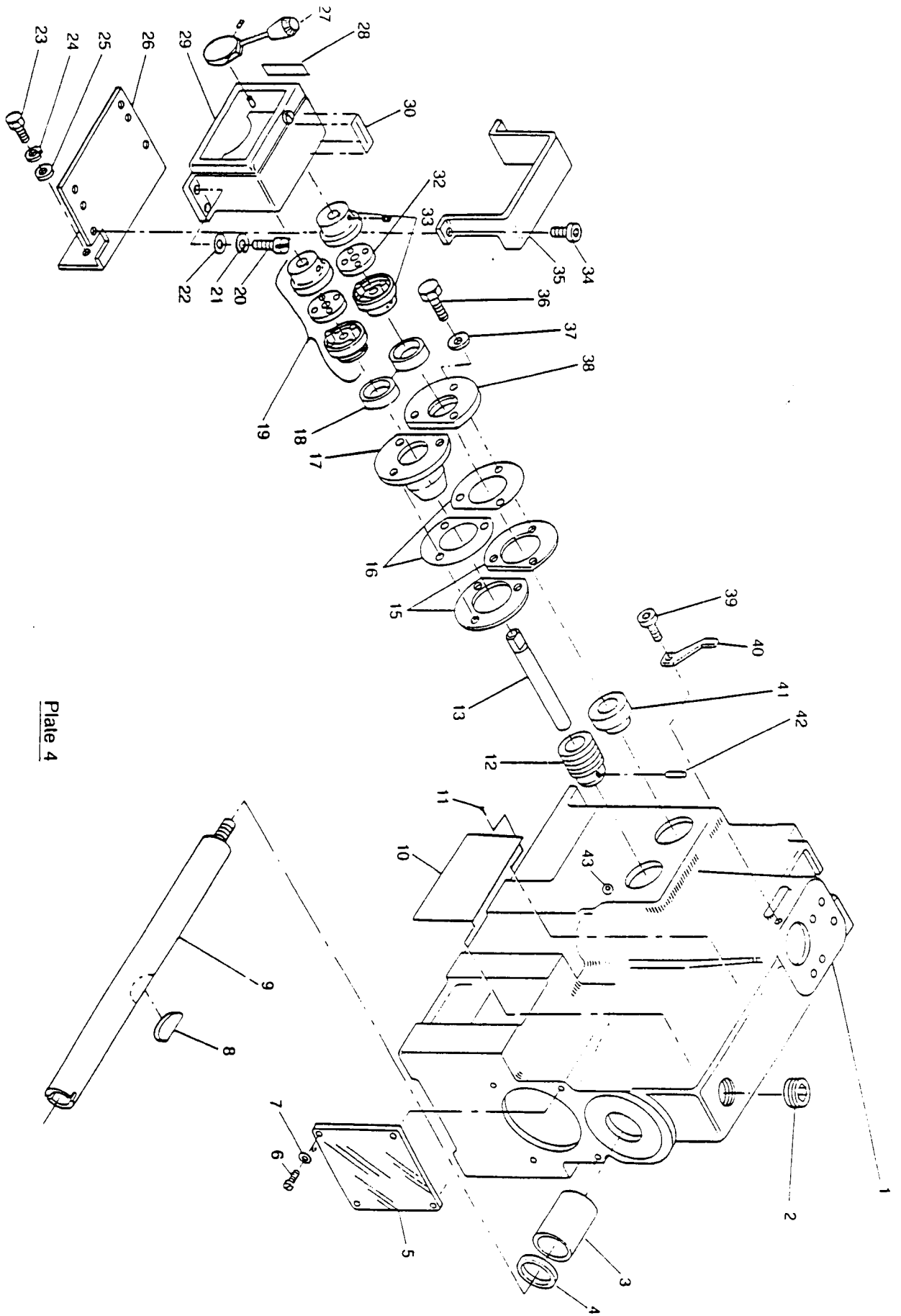
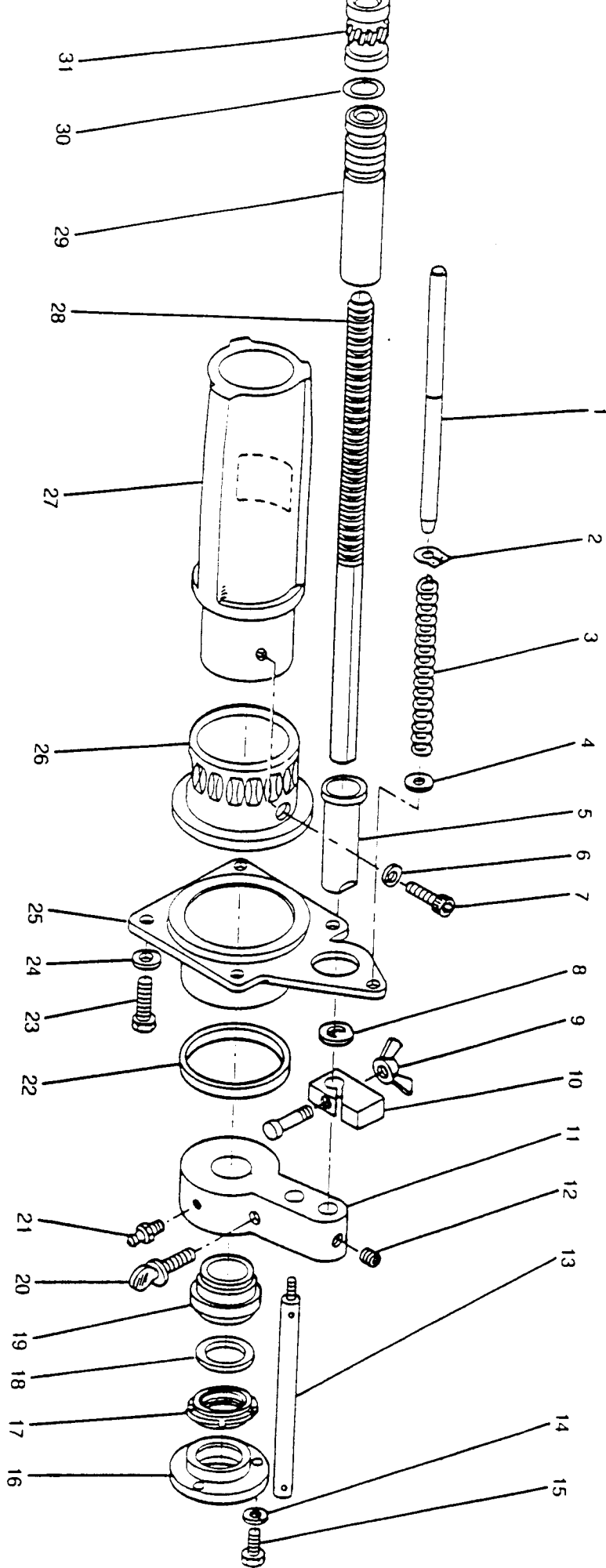


Plate 4

SPINDLE CLAMP ASSEMBLY

PARTS LIST

ITEM NUMBER	QUANTITY	PART NUMBER	DESCRIPTION
1	1	20400026	Push Rod
2	1	18712	Retaining Ring
3	1	24355	Compression Spring
4	1	05287	Washer SAE 3/8"
5	1	20400063	Sleeve
6	3	05888	Lockwasher (5/16)
7	3	08480	Socket Head Cap Screw
8	1	24755	Retaining Ring
9	1	06122	Wing Nut (5/16-18)
10	1	20408019	Release Dog Assembly
11	1	20400297	Bearing Housing
12	1	05256	Cup Point Socket Screw (3/8-16x1/2)
13	1	20400151	Shaft
14	3	05577	Lockwasher (.250 flat SAE)
15	3	06691	Hex Head Cap Screw (1/4-20 x 1)
16	1	20400298	Cover
17	1	09733	Bearing Locknut
18	1	40572	Thrust Washer
19	1	24345	Roller Bearing
20	1	40851	Thumb Screw (3/8-16 x 3/4)
21	1	07334	Grease Fitting
22	1	41569	Oil Seal
23	4	05144	Hex Head Cap Screw
24	4	05489	Washer (SAE 5/16")
25	1	20400072	Rear Bearing
26	1	20400070	Spindle Worm Gear
27	1	20400069	Work Spindle Sleeve
28	1	20400023	Feed Screw
29	1	20400062	Guard
30	1	16207	O-Ring
31	1	20400024	Feed Screw Nut & Gear



RIGHT REAR OF MACHINE

PARTS LIST

ITEM NUMBER	QUANTITY	PART NUMBER	DESCRIPTION
1	35"	413535	110 Volt Motor Cord
		413526	220 Volt Motor Cord
2	1	413594	Cord Bushing
3	1	413592	Bushing
4	6 ft.	413525	Motor Cord
5	4	05489	Washer (SAE 5/16")
6	4	05888	Lockwasher (5/16")
7	4	05144	Hex Head Cap Screw (5/16-18 x 3/4)
8	1	40524	Motor
9	1		Set Screw (Comes with Item 10)
10	1	24397	3-Step Pulley
11	1	11200505	Key
12	1	08246	Belt
13	1	05489	Washer (SAE 5/16")
14	1	40956	Thumb Screw (5/16-18 x 1/2)
15	1	20400324	Motor Belt Guard
16	1	40956	Thumb Screw (5/16-18 x 1/2)
17	1	20400037	Pin
18	1	06977	Flat Point SocketSetScrew(5/16-18x1)
19	1	05268	Washer (1/2" flat SAE)
20	1	20400036	Motor Bracket
21	1	05268	Washer (1/2" flat SAE)
22	1	08369	Screw (1/2-13 x 1-1/4)
23	3	05489	Washer (5/16" SAE)
24	3	05144	Hex Head Cap Screw (5/16" SAE)
25	1		Set Screw (Comes with Item 27)
26	1	11200505	Key
27	1	40634	Pulley
28	1	07711	Seal
29	1	20400009	Worm Bearing Cap
30	1	20400010	Shim
31	1	24347	Roller Bearing
32	1	20400071	Shaft

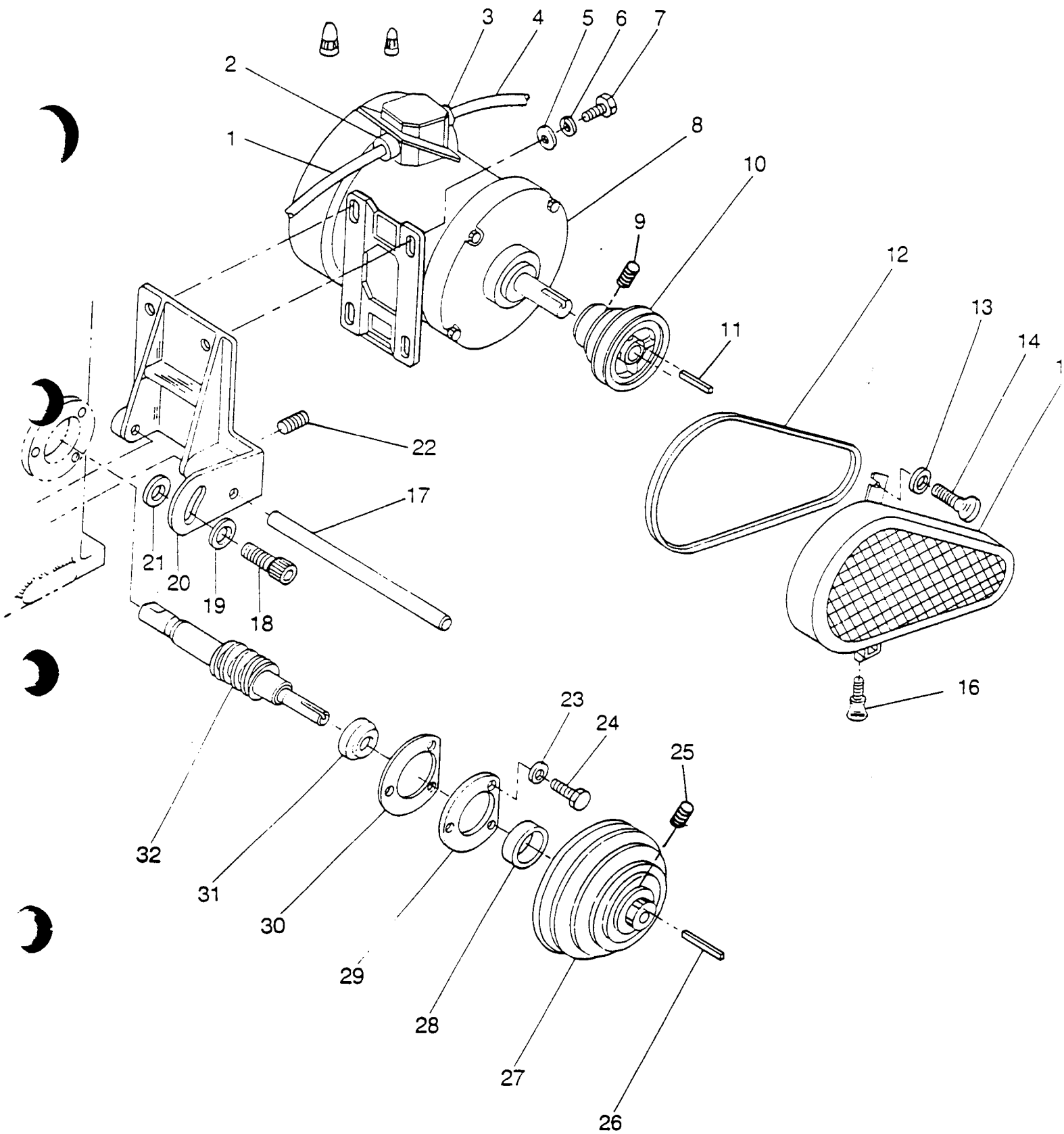


Plate 6

POWER FEED ATTACHMENT FOR FACING DISC BRAKES

PARTS LIST

ITEM NUMBER	QUANTITY	PART NUMBER	DESCRIPTION
1	1	20400142	Gib
2	2	24357	Set Screw (3/8-16 x 1-3/4)
3	1	40531	Knob
4	1	11100633	Screw Plug
5	2	05208	Jam Nut
6	2	06905	Screw (3/8-16 x 1-1/2)
7	1	20400118	Power Facing Feed Slide
8	1	08158	Socket Head Cap Screw (3/8-16 x 3/4)
9	2	05508	Socket Head Cap Screw (5/16-18 x 1)
10	1	20400162	Belt Idler
11	1	08711	Bushing
12	1	20400165	Idler Bracket
13	1	25836	Bushing
14	1	20400126	Pulley
15	1	09697	Cup Point Socket Screw (10-32 x 1/2)
16	1	40583	Belt
17	1	14597	Drain Plug
18	4	10027	Socket Head Cap Screw
19	1	20400117	Power Facing Feed Knee
20	1	20400122	Slide Feed Screw Nut
21	1	20400130	Collar
22	1	11139	Bushing
23	1	20400131	Plate Assembly
24	1	20408022	Plate
25	4	08158	Socket Head Cap Screw (3/8-16 x 3/4)
26	1	20400123	Feed Screw Assembly
27	1	20408021	Shaft
28	1	09925	Pin (1/4 x 2)
29	1	05134	Woodruff Key (#7)
30	1	20400132	Collar
31	1	20400166	Pulley
32	1	25052	Belt
33	1	20400167	Pulley Guard
34	1	19343	Screw (10-32 x 3/8)
35	1	20400144	Stop Nut
36	1	20400159	Power Feed Screw Drive Nut
37	1	20400136	Crank (add 08447V)
38	4	19343	Button Socket Head Screw (10-32 x 3/8)
39	1	20400129	Pulley
40	1	11539	Cup Point Socket Screw (10-32 x 1/4)
41	1	05133	Woodruff Key (#3)
42	1	20400128	Drive Shaft
43	1	05133	Woodruff Key (#3)
44	1	25836	Bushing
45	1	20400246	Idler Arm
46	1	05287	Washer (.375 flat SAE)
47	1	08711	Bushing
48	1	07283	Socket Head Cap Screw (3/8-16 x 1)
49	1	20400162	Belt Idler
50	1	05287	Washer (.375)
51	1	07283	Socket Head Cap Screw (3/8-16 x 1)

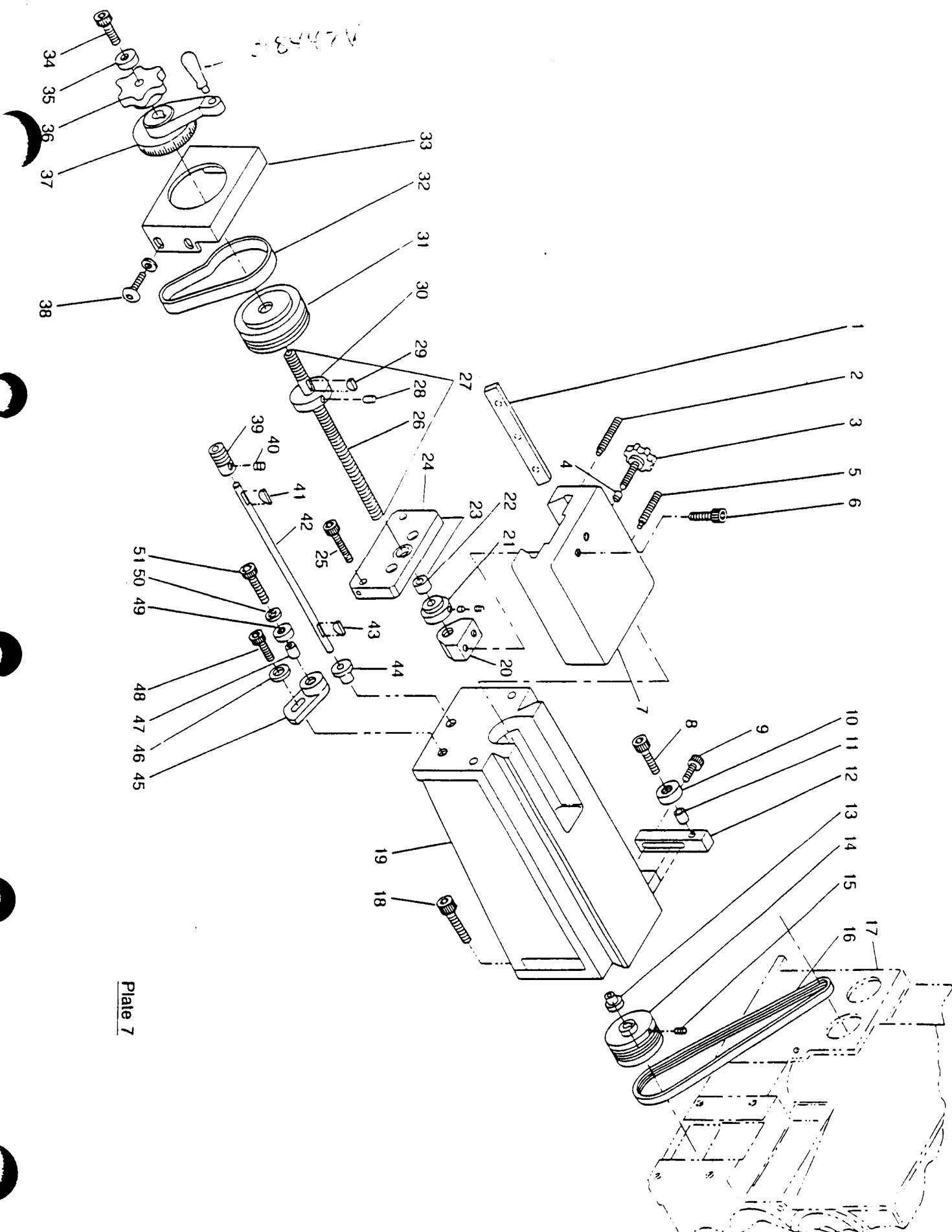
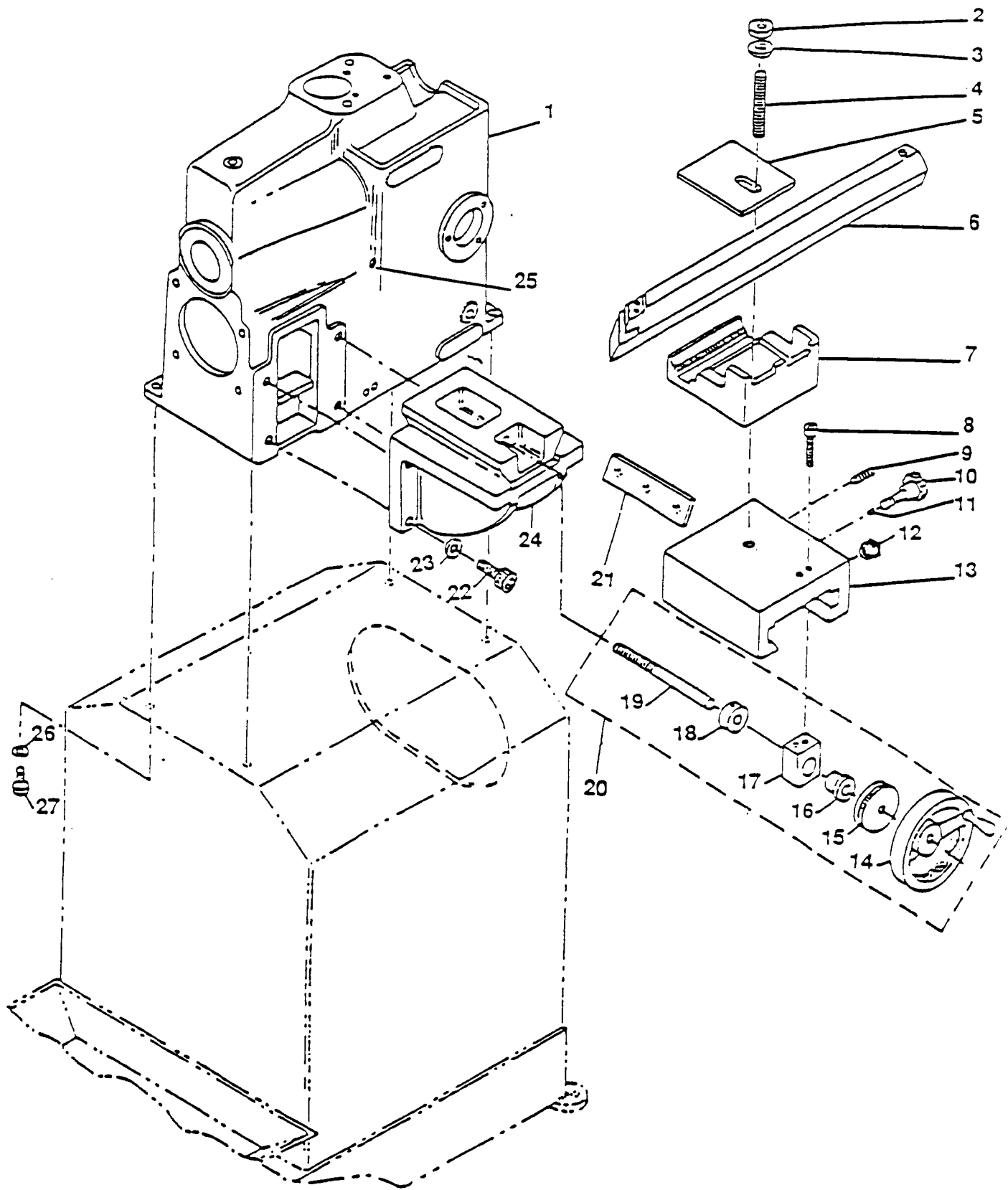


Plate 7

DRUM TURNING ASSEMBLY (204C ONLY)

PARTS LIST

ITEM NUMBER	QUANTITY	PART NUMBER	DESCRIPTION
1		20400300	Body
2	1	05199	Check Nut 1/2"-13 x 5/16
3	1	40695	Washer
4	1	20400303	Stud
5	1	20400030	Tool Holder Clamp
6	1	20400219	Tool Bar (20400343 on "S" Model)
7	1	20400301	Tool Holder Turret
8	2	07282	Screw
9	2	24357	Set Screw
10	1	40531	Slide Lock
11	1	11100633	Brass Plug
12	2	05208	Jam Nut
13	1	20400302	Slide
14	1	28954V	Handwheel 5"
15	1	20400316	Index Dial
16	1	40562	Bushing
17	1	20408020	Index Block
18	1	13988	Collar
19	1	20400307	Feed Screw
20	1	20407307	Screw Assy.
21	1	20400033	Tool Slide Gib
22	4	08328	Socket Head Cap Screw
23	4	05583	Lockwasher
24	1	20400002	Knee
25	1	08194	Plug
26	4	05889	Washer
27	4	05340	Hex Head Cap Screw



DRUM TURNING ASSEMBLY

CLAW ASSEMBLY

PARTS LIST

ITEM NUMBER	QUANTITY	PART NUMBER	DESCRIPTION
1	2	40753	Knob
2	2	40350	Washer (.312 flat fender)
3	1	25812	Pin (.75 x 2)
4	1	20500854	R.H. Tool Holder
5	1	20500855	L.H. Tool Holder
6	1	40535	Spring
7	1	20400311	Mounting Plate
8	1	20500858	Block
9	2	20400270	Feed Screw
10	2	08057	Key (#5)
11	2	20400269	Dial
12	1	19934	Pin (3/16 x 1-1/2)
13	2	10307	Screw (1/4-20 x 2)
14	2	10307	Screw (1/4-20 x 2)
15	1	19934	Pin (3/16 x 1-1/2)
16	1	20500858	Block
17	2	30084	Screw
18	2	29279	Clamp
19	2	29687	Insert
20	2	08792	Screw (1/4-20 x 1/2)
21	1	20500066	Plate
22	1	20400320	Guard
23	1	20400303	Stud
24	1	05199	Nut (1/2-13)
25	1	40695	Washer
26	1	20500849	Clamp Plate

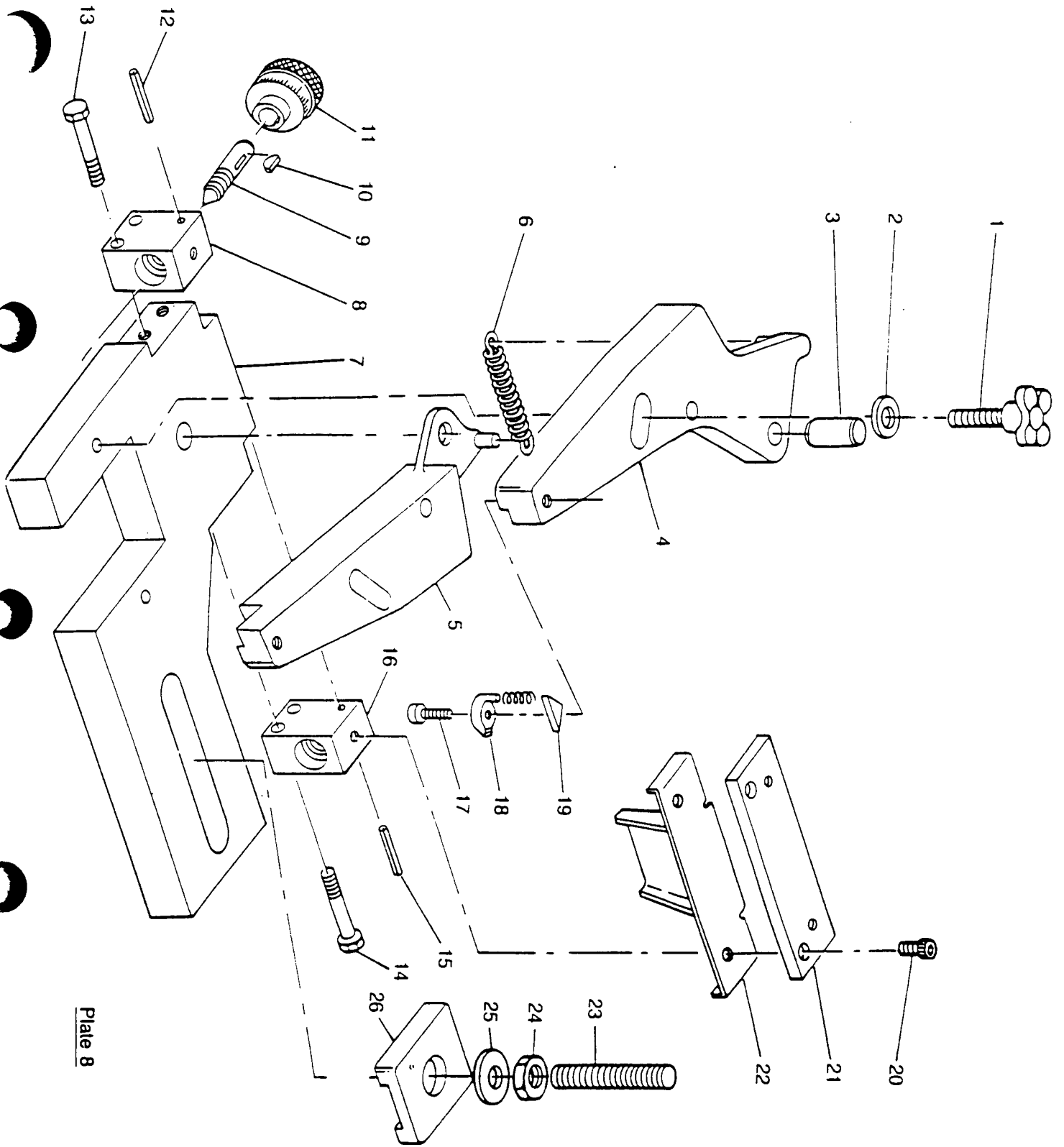


Plate 8

ELECTRICAL EQUIPMENT

PARTS LIST

ITEM NUMBER	QUANTITY	PART NUMBER	DESCRIPTION
1		20400300	Body (Ref.)
2	1	413571	Elec. Cover
3	5	413594	Small Coupler
4	1	41526	Wire Clip
5	1	05021	Screw (10-32 x 3/8)
6	1	413564	Switch
7	2	11666	Elec. Box
8	2	05021	Screw (10-32 x 3/8)
9	1	29282	Boot
10	1		Nut (Comes with Switch)
11	1	413642	Motor and Light Decal
12	1	41207	Washer
13	1	413571	Elec. Cover
14	1	41171	Step Washer
15	1	40524	Motor
16	1		On Motor
17	1	40999	Socket and Bulb Holder Assy.
18	1	40586	Bulb 120V 60W 60A/52WM
19	1	10606	Pipe Nipple (3/8 std close)
20	1	20400290	Bracket
21	1	05950	Nut (1/4-20)
22	1	07959	Nipple Check Nut
23	1	19641	Hex Cap Screw (1/4-20 x 3/4)
24	1	413592	Large Coupler

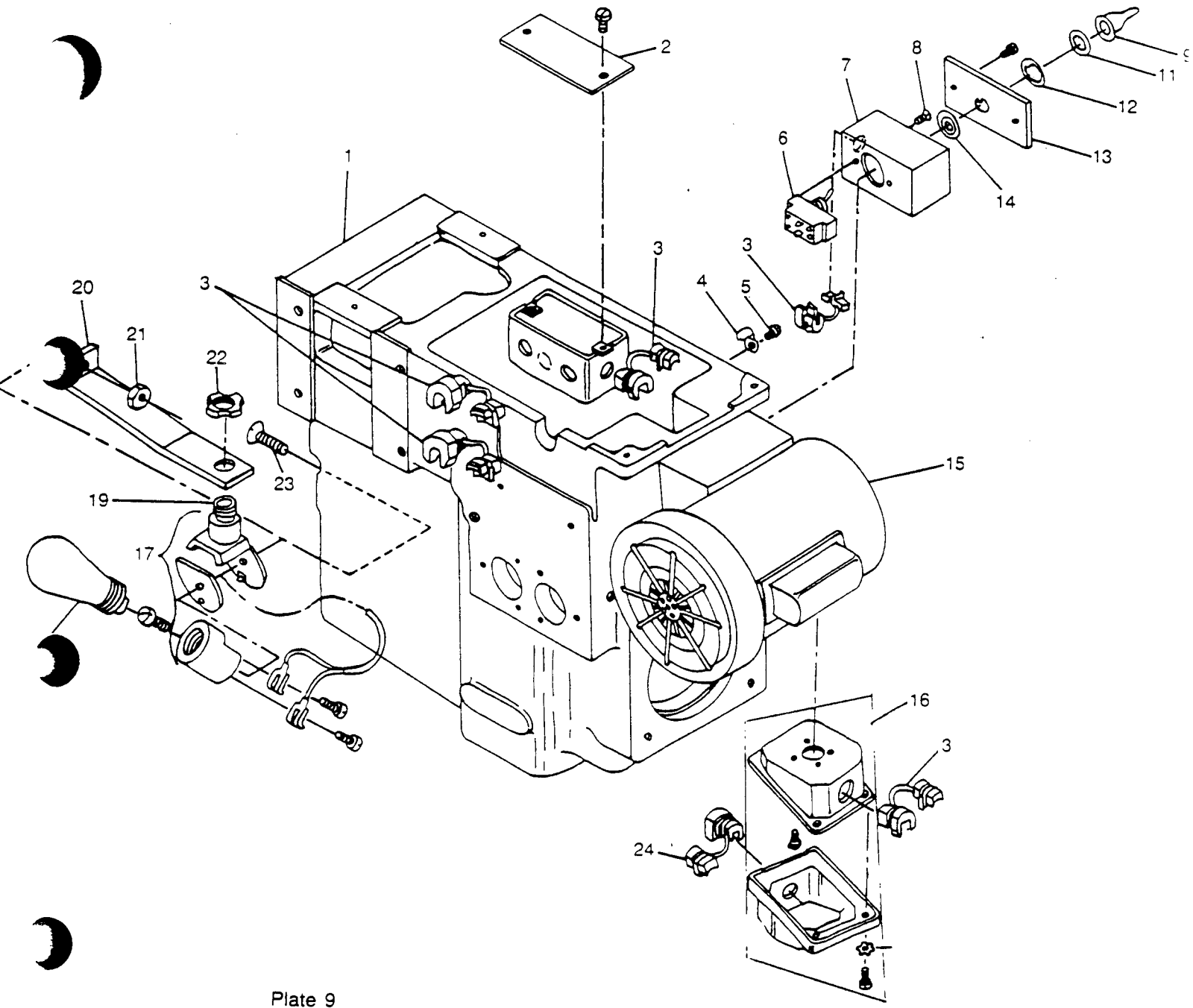
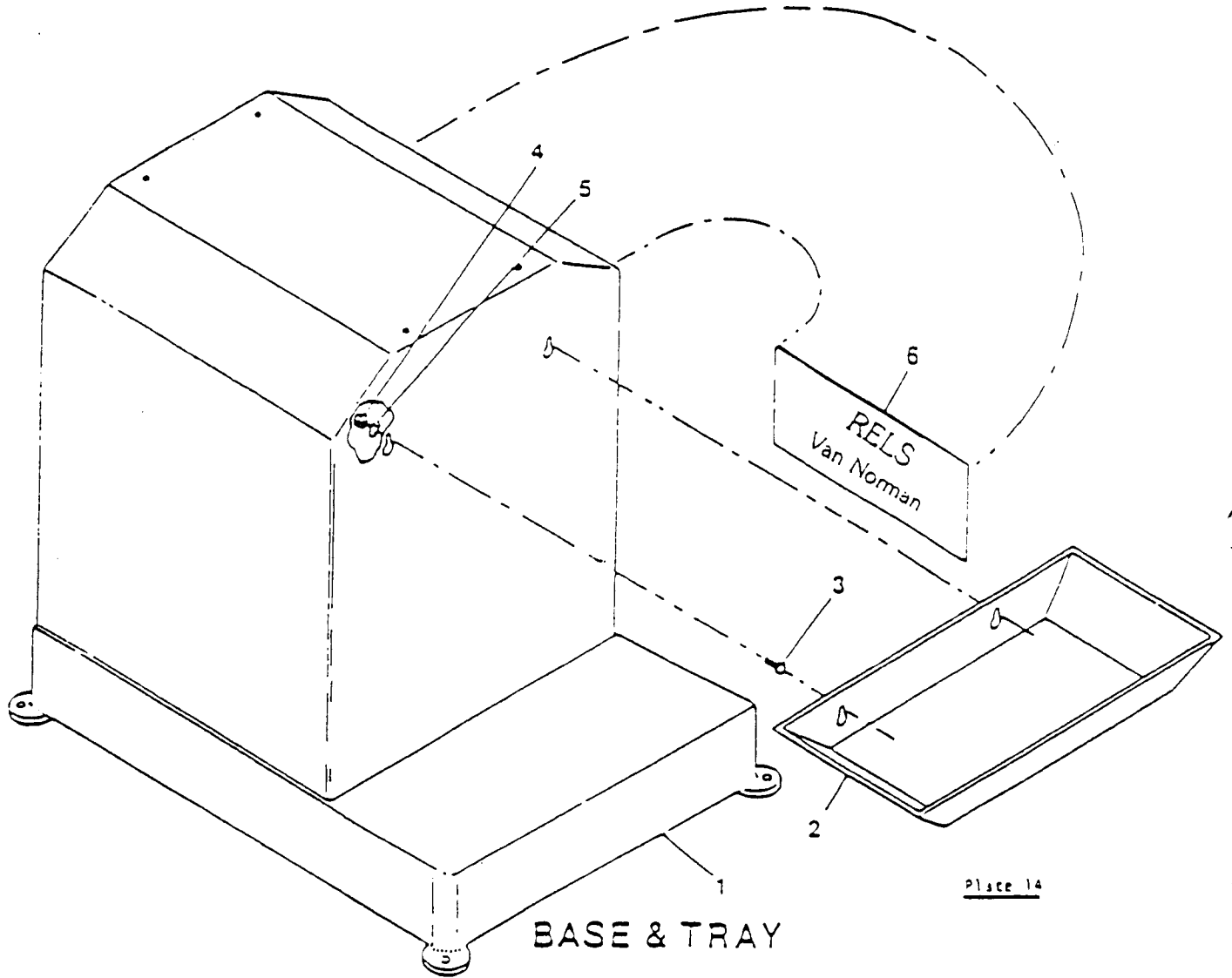


Plate 9

BASE AND TRAY

PARTS LIST

ITEM NUMBER	QUANTITY	PART NUMBER	DESCRIPTION
1	1	204-07830	Base
2	1	205-07056	Tray
3	2	205-00058	Stud
4	2	05194	Nut
5	2	05287	Washer
6	1	41922	Nameplate



Place 14