

Instructions

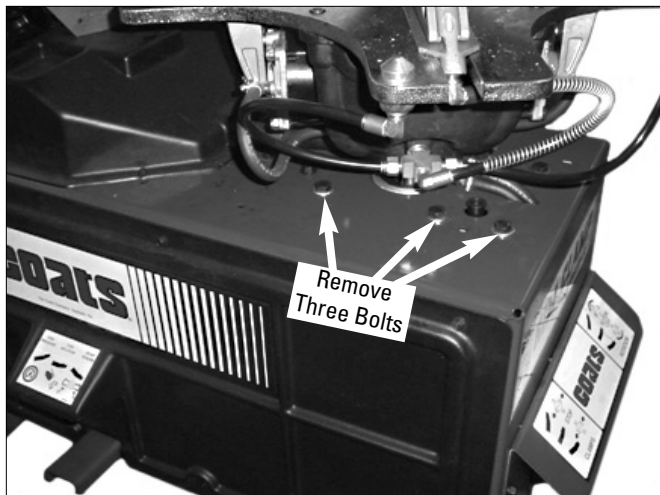
CAUTION

Always **DISCONNECT THE ELECTRICAL POWER** before servicing equipment. This prevents electrical shock or accidental movement of the systems operated by the electrical power.

CAUTION

Always **DISCONNECT AIR SUPPLY** before servicing equipment. This prevents accidental movement of systems operated by compressed air which may result in personal injury. **BLEED THE AIR SYSTEM** by actuating all the valves.

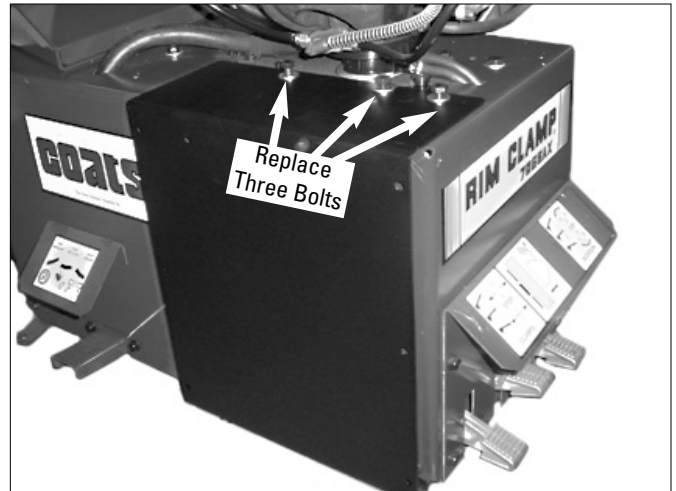
1. Disconnect the electric and air power supplies to the machine and wait for the air pressure to deplete.
2. Disconnect the supply air line from the bottom of the lift control valve.
3. Remove three bolts from transmission as shown. Reserve the bolts for later use.



4. Place lift bracket plate on chassis and align on the three holes.

5. Attach the lift bracket plate to the chassis using the three reserved transmission bolts.

Important: Torque bolts at 30 foot pounds.



6. Install the lift using three fasteners on each side of the lift bracket.



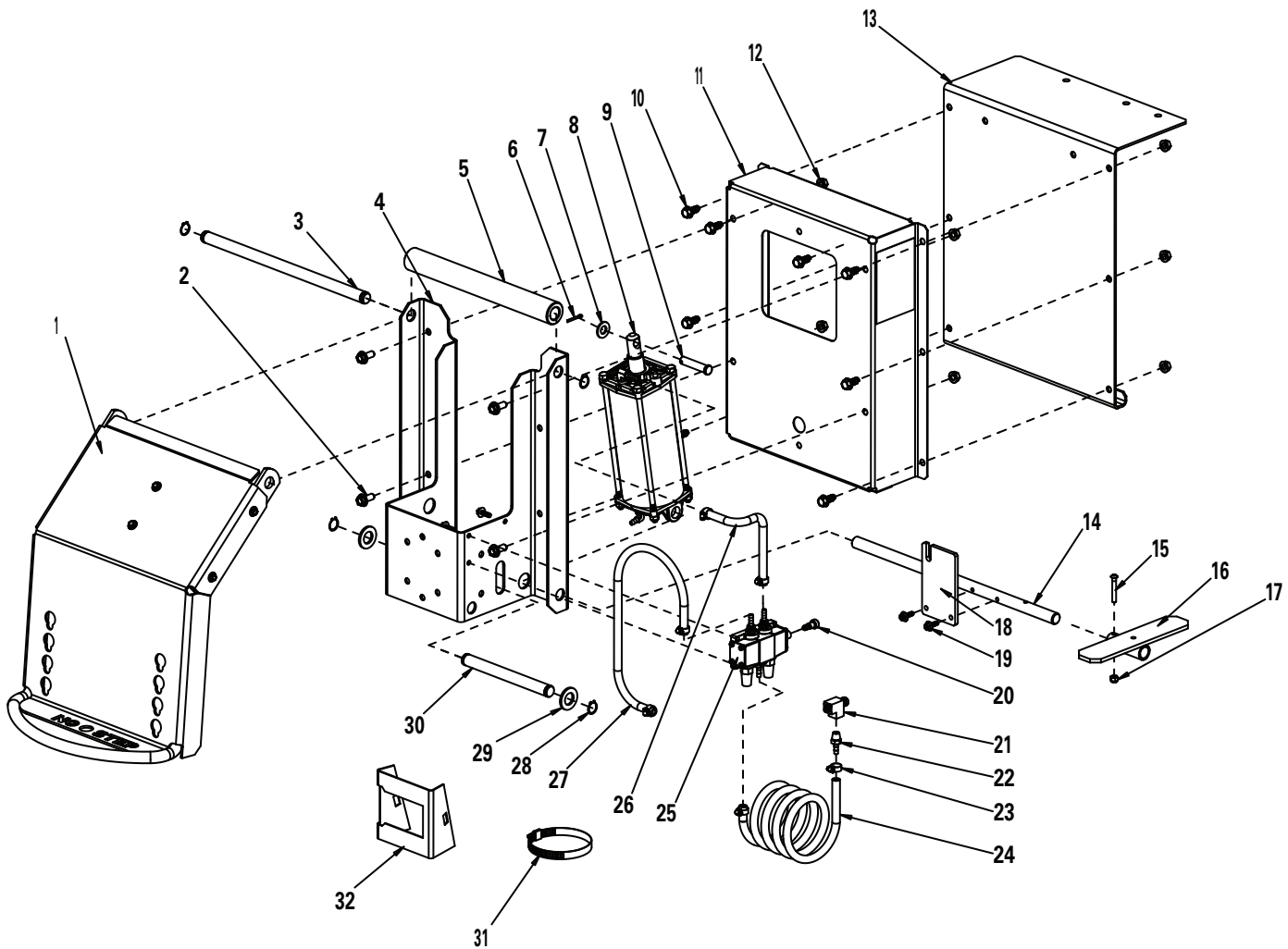
7. Attach the foot pedal brow to the lift.
8. Attach airline on output side of filter lube unit.

CAUTION

STAY CLEAR OF MOVING PARTS when reconnecting the unit to the air supply. The position of control valves may have changed during the servicing of the machine.

9. Functional test the wheel lift.

Lift Assembly Parts Identification



ITEM	PART NO.	DESCRIPTION
1	8184793	LIFT-ASSEM,W/C
2	8106302	3/8-16 x 7/8 HEX WASHER SCREW
3	8185631	SHAFT - LIFT
4	8184794	CHANNEL-CYL.MOUNT
5	8184948	SPACER - LIFT
6	8102278	PIN-COTTER
7	903214	WASHER - FLAT,STD, 1/2" S.A.E.
8	85000334	CYLINDER ASSEMBLY
9	8120129	2 1/4" x 1/2" CLEVIS PIN
10	8102459	BOLT - SELF TAPPING
11	8185767	BRACKET,LIFT MOUNT
12	8106303	NUT - 3/8-16 UNC
13	85000428	BRACKET - LIFT MTG.
14	8184879	PEDAL- ARM, LIFT
15	8184321	1/4-20 X 1.75 BHCS
16	8184896	PEDAL-FOOT,LIFT /WC
17	8181369	NUT-HEX, .250-20,NYLCK
18	8184880	BAR - PEDAL,LIFT
19	8143168	SCREW-1/4-20X0.75 WHC
20	8301016	SH BOLT 3/8"X 3/8"X 5/16"-18"
21	871101642	TEE - MALE RUN
22	8000378	STRAIGHT FITTING
23	8101428	CLAMP - HOSE, WORM
24	8182090	HOSE - 1/4 ID X 1/2 OD X 66" LG.
25	***	VALVE-LFT
26	85000442	HOSE - 1/4 ID X 1/2 OD X 9 LG.
27	85000441	HOSE - 1/4 ID X 1/2 OD X 18 LG.
28	903174	RETAINING RING
29	8182457	WASHER .812 ID x 1 1/2 OD

ITEM	PART NO.	DESCRIPTION
29	8182457	WASHER .812 ID x 1 1/2 OD
30	8184882	SHAFT- TILT & LIFT CYL.
31	8182221	6" HOSE CLAMP
32	8182167	BRACKET - LUBE BOTTLE
33	8143168	SCREW-1/4-20X0.75 WHC
*34	7109503	SCREW, 5/16-18 x 3/4"
*35	85000607	SPACER - BLOCK VALVE

* not shown

***LIFT ASSEMBLY VALVE

ITEM	PART NO.	DESCRIPTION
1	8183369	1/4 HOSE FITTING, 1/8NPT
2	8184878	VALVE-OPRTD,PDL
3	906960	MUFFLER
4	8109481	FITTING-REDUCER 1/4NPTx1/8NPT

