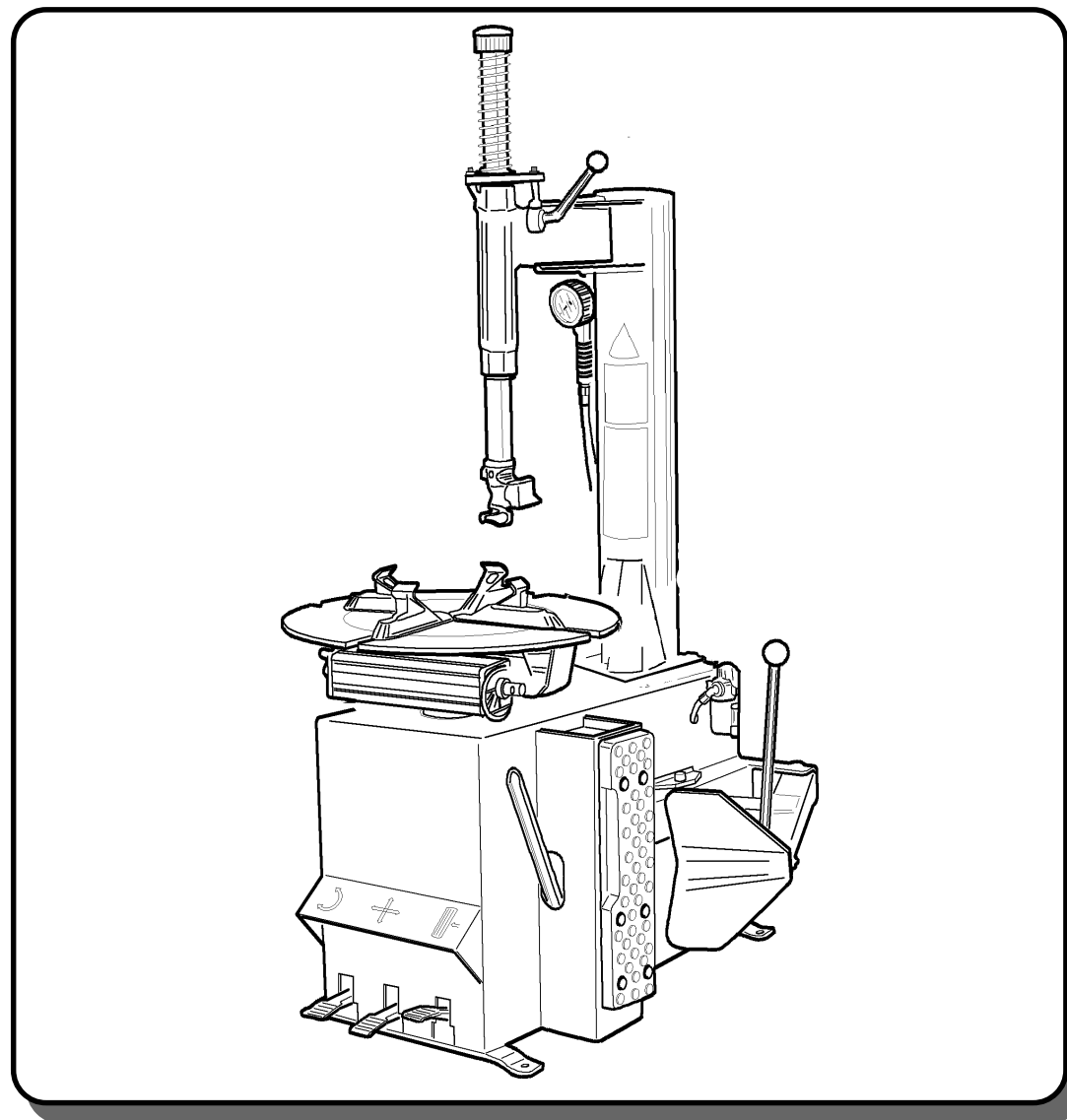
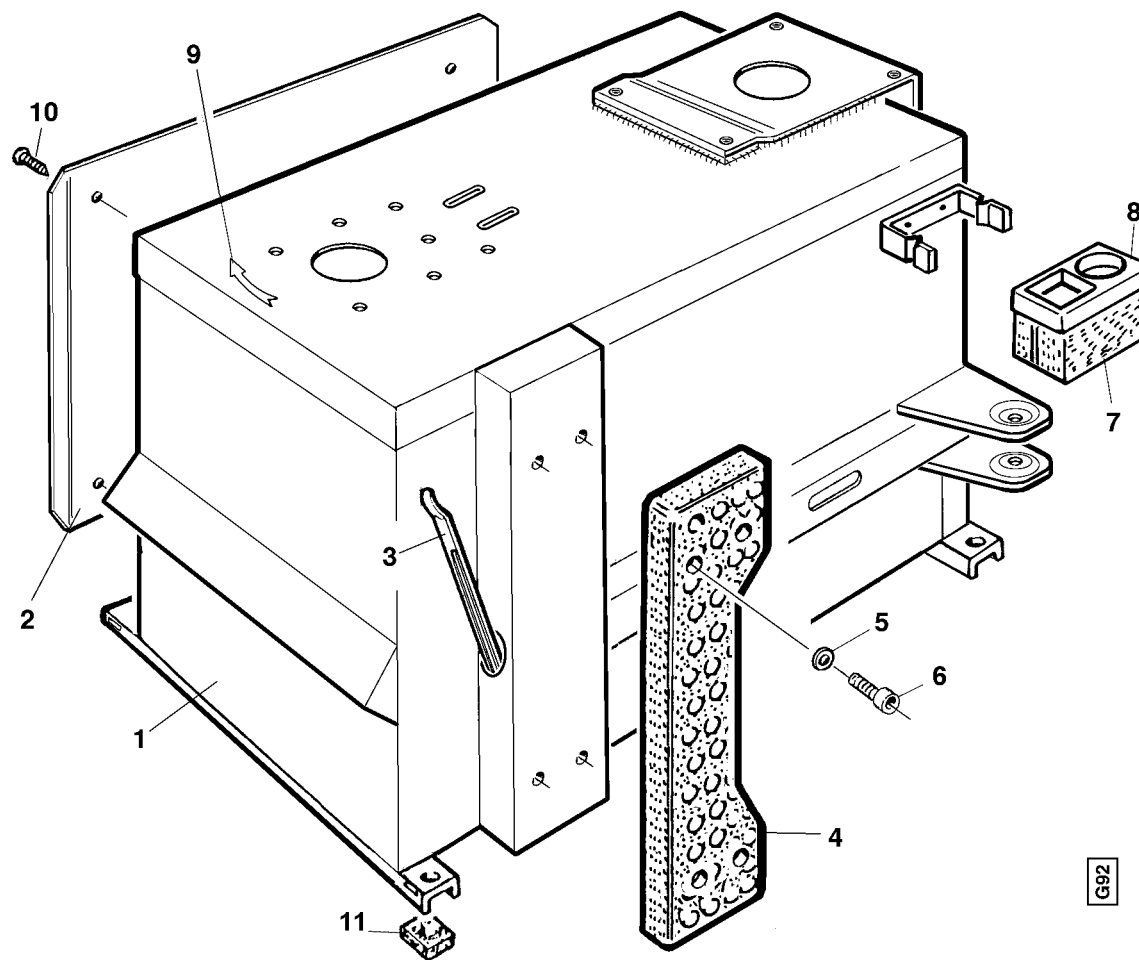


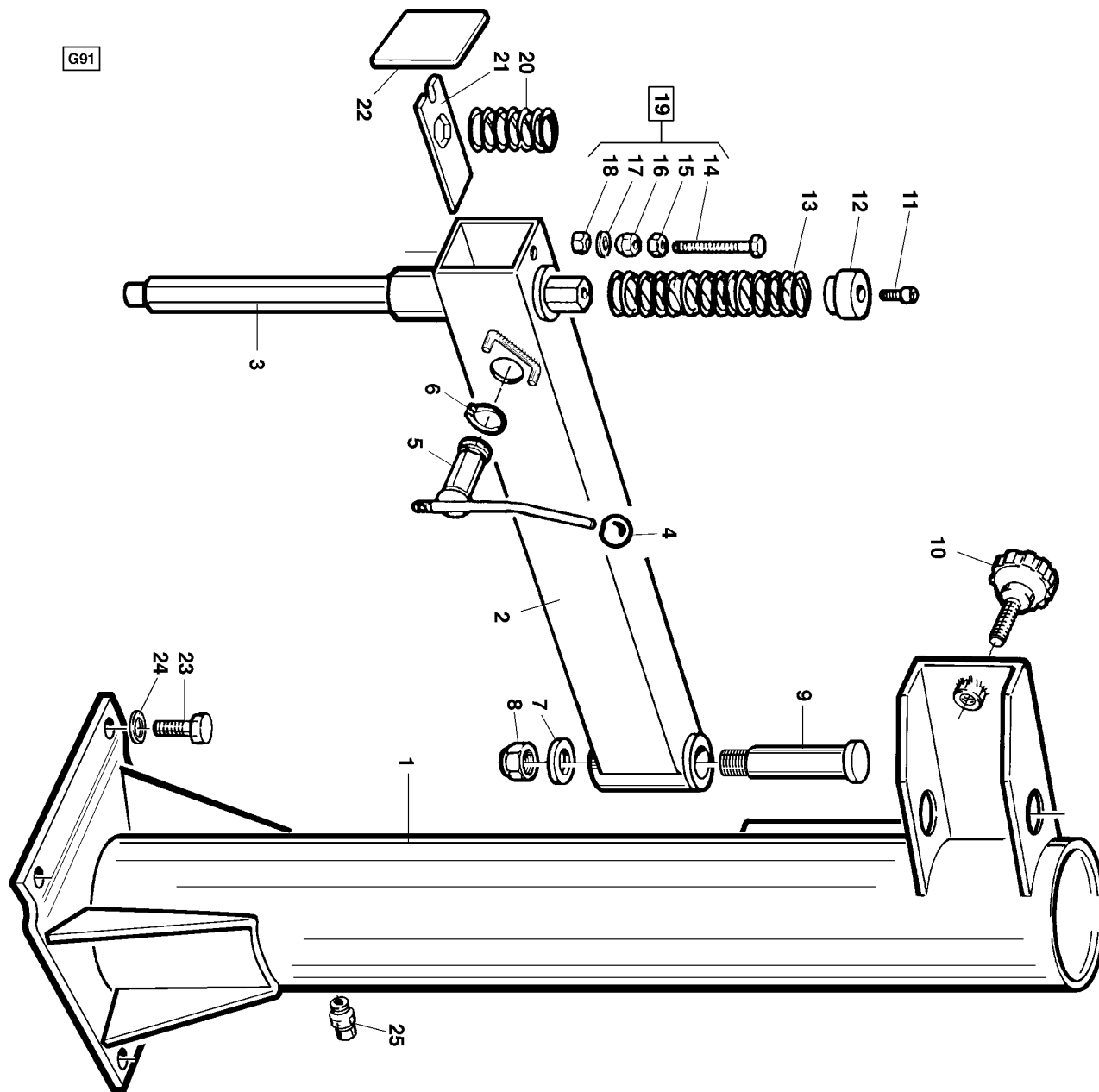
**ALL TIRE**  
**212**



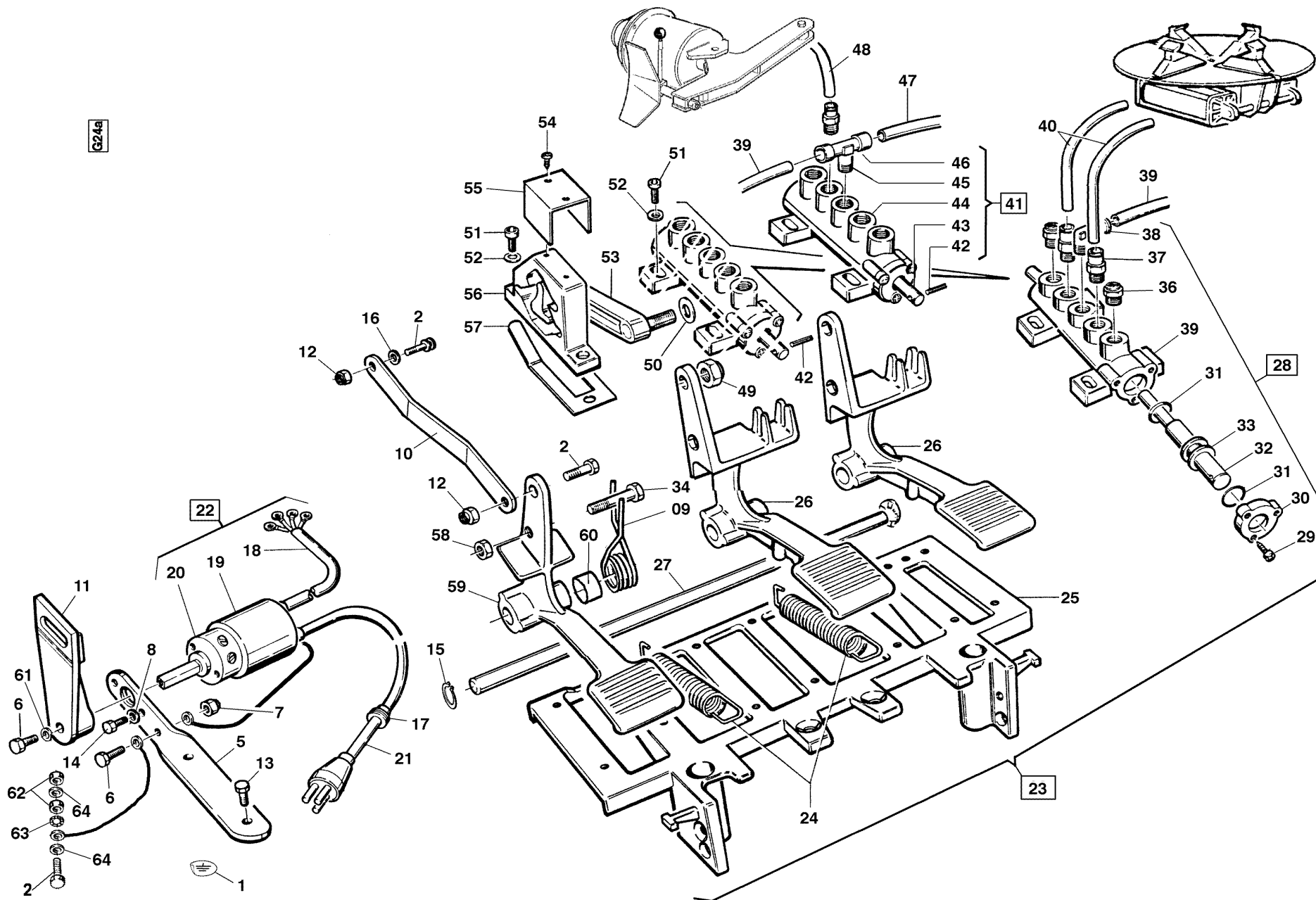


G92

Ref	Code	Descrizione	Description	Description	Beschreibung
1	7403788	CARCASSA SEMIAUT.GT-AR.2002 BU	SEMIAUTOMATIC GT BODY	BATI SEMIAUT. GT	RAHMEN
2	7402489	COPERCHIO LAT.-AR. R.2002 BUCC	SIDE COVER	COUVERTURE LATERALE	SEITENSCHUTZ
3	3006970	LEVA ALZATALLONI TIPO C	BEAD LIFTING LEVER	LEVIER DECOLLE-TALONS	WULSTABDRUECKHEBEL
4	3007064	TAMPONE UNICO IN GOMMA TIPO "C"	RUBBER PAD	TAMPON EN CAOUTCHOUC	GUMMIPUFFER
5	4398848	RONDELLA 6 (6,6x18x1,5)ZNT6593	WASHER 6 (6,6x18x1,5)	RONDELLE 6 (6,6x18x1,5)	SCHEIBE 6 (6,6x18x1,5)
6	4399999	VITE TCEI M 6x25 8.8 5931	SCREW M6x25 - 8.8	VIS M6x25 - 8.8	SCHRAUBE M6x25 - 8.8
7	3199756	VASO PER GRASSO	LUBE CUP	BOL DE GRAISSE	SCHMIERBECHER
8	3199755	COPERCHIO PER VASO GRASSO	GREASE CUP COVER	COUVERCLE	SCHMIERBECHERDECKEL
9	3002632	DECALCO FRECCIA—ORO—	STICKER	DECALCOMANIE	ABZIEHBILD
10	4398108	VITE AUTOF. TCEI 6,3x16 ZNT	SELF-TAPPING SCREW 6,3x16	VIS AUTOTARADEUSE TCEI 6,3x16	BLECHSCHRAUBE 6,3x16
11	3002099	PIEDE IN PLASTICA PER CARCASSA	PLASTIC FOOT	PIED EN PLASTIQUE	RAHMENFUSS



Ref Code	Descrizione	Description	Description	Beschreibung
1	7403518 PALO VERT. GT -AR.R.2002 BUCC.	GT VERTICAL ARM	BRAS VERTICAL GT	VERTIKALER ARM
2	7401697 PALO ORIZZ. 112F -AR.2002 BUC.	HORIZONTAL ARM	BRAS HORIZONTAL	WAAGERECHTER AUSLEGER
3	3000049 BRACCIO OP.E.36 L=565	OPERATING ARM L=565	BARRE DE MONTAGE L=550	BEDIENUNGSARM L=565
4	4299952 POMOLO D.12	KNOB D.12	POIGNEE D.12	KUGELGRIFF D.12
5	2100544 LEVA BLOC.B.O. 112F -ZNT	ARM LOCKING LEVER	LEVIER DE BLOCAGE BRAS OPERAT.	ARMSPERRHEBEL
6	4399979 ANELLO SEEGER E D.30 7435	SEEGER RING D.30	BAGUE SEEGER D.30	SEEGER-RING D.30
7	3000079 RONDELLA D.51X16X8	WASHER D.51x16x8	RONDELLE D.51x16x8	SCHEIBE D.51x16x8
8	4399963 DADO AUTOBL.M16 BASSO.6S. 7474	SELF-LOCKING NUT M16	ECROU A' BLOCAGE AUTOM. M16	SELBSTSICHERNDE MUTTER M16
9	3000078 PERNO SNODO PALO ORIZZONTALE	HORIZONTAL ARM PIN	AXE D'ARTICULATION BRAS HORIZ.	DREHZAPFEN
10	3000487 VOLANTINO M16 V1/70/V-M16X100	HANDWHEEL M16	PETIT VOLANT M16	HANDRAD M16
11	4399954 VITE TCEI M 8x20 8.8 5931	SCREW M8x20 - 8.8	VIS M8x20 8.8	SCHRAUBE M8x20 -8.8-
12	3000055 POMOLO BRACCIO OPERANTE	OPERATING ARM KNOB	POIGNEE BRAS OPERATEUR	KUGELGRIFF
13	3001672 MOLLA COMPR.BRACCIO OPER.-ZNT	SPRING	RESSORT	DRUCKFEDER
14	4399972 VITE TE 10x90 8.8 5739	SCREW M10x90 - 8.8	VIS M10x90 8.8	SCHRAUBE M10x90 - 8.8
15	4399969 DADO M10 6S ALTO ZNT 5587	NUT M10	ECROU M10	MUTTER M10
16	4399971 DADO AUTOBL.M10 BASSO.6S. 7474	SELF-LOCKING NUT M10	ECROU A' BLOCAGE AUTOMAT.	SELBSTSICHERNDE MUTTER M10
17	3002205 RONDEL.D10,5x21x2 UNI5714 BON.	WASHER D.10,5x21x2	RONDELLE D.10,5x21x2	SCHEIBE D.10,5x21x2
18	4399981 RONDELLA 12 (13x24x2,5)ZNT6592	WASHER 12 (13x24x2,5)	RONDELLE 12 (13x24x2,5)	SCHEIBE 12 (13x24x2,5)
19	2000504 GR.REGOL. BLOCC. B.O. SEMIAUT.	LOCKING ADJUSTER UNIT	REGLAGE BLOCAGE BRAS OPERATEUR	KLEMMREGLER
20	3000044 MOLLA CORTA BRACCIO OPERANTE	SPRING	RESSORT	FEDER
21	3000085 PIASTRA BLOCC. BRACCIO OP.	ARM LOCKING PLATE	PLAQUE BLOCAGE BRAS OPERATEUR	KLEMMPLATTE
22	3000046 COPERCHIO PALO ORIZZ.	PLASTIC COVER	PROTECTION EN PLASTIQUE	KUNSTSTOFFDECKEL
23	4398582 VITE TE 12x25 8.8 5739	SCREW 12x25 8.8	VIS 12x25	SCHRAUBE 12x25 8.8



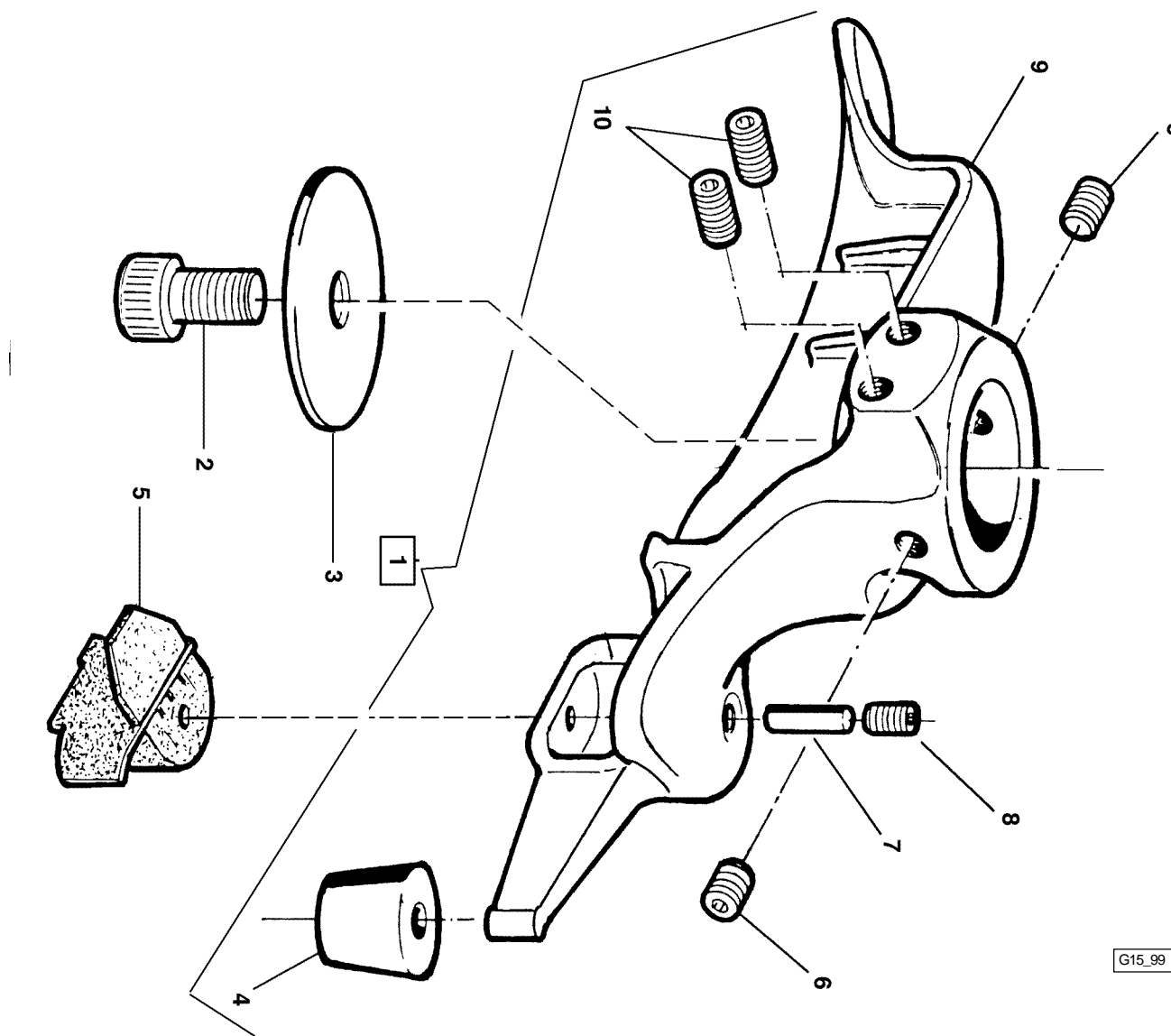
1	3005604	DECALCO BOLLINO PE 27552 BSO	DECALCOMANIE	STICKER	ABZIEHBILD
2	4399892	VITE TE 6x20 8.8 5739	VIS M6x20 - 8.8	SCREW M6x20 - 8.8	SCHRAUBE M6x20 - 8.8
3	4398848	RONDELLA 6 (6,6x18x1,5)ZNT6593	RONDELLE 6 (6,6x18x1,5)	WASHER 6 (6,6x18x1,5)	SCHEIBE 6 (6,6x18x1,5)
4	2006040	CAVETTO TERRA SMTG AUTO L=340	CABLE DE TERRE	GROUND CABLE L=340	MASSEDRAHT L=340
5	3002445	STAFFA SUPPORTO INVERT.-ZNT	ETRIER DE SUPPORT	SUPPORT	WECHSLERSTUETZE
6	4399905	VITE TE 4x12 8.8 5739	VIS M4x12 - 8.8	SCREW M4x12 8.8	SCHRAUBE M4x12 8.8
7	4399996	DADO M 4 6S ALTO ZNT 5587	ECROU M4 6S	NUT M4 6S	MUTTER M4 6S
8	4399045	ROND. DEN.ES.IN. 3,2x12x0,5	RONDELLE 3,2x12x0,5	TOOTHED WASHER 3,2x12x0,5	ZAHNSCHEIBE 3,2x12x0,5
9	3000142	MOLLA COMANDO PEDALE	RESSORT COMMANDE PEDALE	PEDAL CONTROL SPRING	FEDER
10	3002447	BIELLA COM.INVERT.SAGOM.-ZNT	BIELLE	CONNECTING ROD	PLEUELSTANGE
11	3000175	LEVA INVERTITORE	LEVIER D'INVERSEUR	REVERSER LEVER	WECHSLERHEBEL
12	4399893	DADO AUTOBL.M 6 BASSO.6S. 7474	ECROU A' BLOCAGE AUTOM. M6	SELF-LOCKING NUT M6	SELBSTSICHERNDE MUTTER M6
13	4398273	VITE AUTOF. TCEI 5,5x19	VIS AUTOTARADEUSE TCEI 5,5x19	SELF-TAPPING SCREW 5,5x19	BLECHSCHRAUBE 5,5x19
14	4399044	VITE TCEI M 3x12 12.9 5931	VIS 3x12 12,9	SCREW 3x12 12,9	SCHRAUBE 3x12 12.9
15	4399864	ANELLO SEEGER E D.12 7435	BAGUE SEEGER D.12	SEEGER RING D.12	SEEGER-RING D.12
16	4399998	RONDELLA 6 (6,4x12x1,6)ZNT6592	RONDELLE 6 (6,4x12x1,6)	WASHER 6 (6,4x12x1,6)	SCHEIBE 6 (6,4x12x1,6)
17	4599986	BLOCCAPASSAC.RETT.D.9 SB7 R/3	ARRET DE PASSE-CABLE D.9	CABLE HOLDER D.9	KABELDURCHGANG/SPERRE D.9
18	2001171	CAVO COLL.MOT.-INV. 3PH L=760	CABLE DE CONNEXION L=1500	CONNECTING CABLE L=1500	VERBINDUNGSKABEL L=1500
18	A	2000525	CAVO COLL.MOT.-INV. 1PH L=750	CABLE CONNEX. MOTEUR-INVERSEUR	CONNECTING CABLE
19		3000173	PROTEZIONE INVERTITORE PICCOLA	PROTECTION INVERSEUR	REVERSER COVER
19	A	3000174	PROTEZIONE INVERTITORE GRANDE	COUVERCLE INVERSEUR 1 PH	REVERSER COVER
20		4598960	INVERTITORE 20 A SERIE 13	INVERSEUR	REVERSER
20	A	4599915	INVERTIT. 1PH 25A. VS.108-51C	INVERSEUR 1PH 25A.	1PH REVERSER 25A.
21		2001512	CAVO ALIMENT. 3PH L=3110	CABLE ALIMENTATION 3PH	3PH FEEDING CABLE
21	A	2000526	CAVO ALIMENT. 1PH L=3600	CABLE D'ALIMENTATION 1 PH	1PH FEEDING CABLE
22		2000517	GR.INVERTITORE TRIFASE 20A	INVERSEUR 3 PH (COMPLET)	3PH REVERSER UNIT
22	A	2004534	GR.INVERTITORE MONOFASE 25A	INVERSEUR 1PH 24A	REVERSER SINGLE-PHASE 25A
23		2002356	PEDALIERA SEMIAUT. D.8 LEGA	PEDALIER	PEDAL CONTROL UNIT
24		3006773	MOLLA RICH.PEDALE D.15x108x2,2	RESSORT RAPPELLE-PEDALE 14x110	PEDAL RETURN SPRING 14x110
25		3002161	BASAMENTO PEDALIERA	BASE DU PEDALIER	PEDAL BOX BASE
26		3002159	PEDALE COM. AUTOC./STALL. ALL.	PEDALE DE COMMANDE	PEDAL
27		3003094	PERNO ALLINEAMENTO PED.L.278,5	AXE ALIGNEM. PEDALES L=280	PEDALS ALIGNMENT PIN L=280
28		2002529	GR.VALVOLA AUTOC.SEMIAUT.LINEA	SOUPAPE	VALVE UNIT
29		4398999	VITE AUTOF. TCIC 3,5x13 6954	VIS AUTOTARADEUSE 3,5x13	SELF-TAPPING SCREW 3,5x13
30		3001585	FLANGIA X VALVOLA 3001583	BRIDE POUR SOUPAPE 3001583	FLANGE for VALVE 3001583

31	4299000	ANELLO OR 9,8x3,85	JOINT OR 9,8x3,85	O-RING 9,8x3,85	O-RING 9,8x3,85
32	3002442	PERNO X VALVOLA GRIFFE/RIBALT.	AXE	VALVE PIN	STIFT
33	3001584	DISTANZIALE X VALVOLA 3001583	ENTRETOISE	SPACER FOR VALVE 3001583	ABSTANDSSTUECK
34	4397649	VITE TE 6x50 8.8 PF ZNT 5737	VIS TE 6x50 8.8	SCREW 6x50 8.8	SCHRAUBE 6x50 8.8
35	3001583	VALVOLA DISTRIB.-SENZA CHIAVET	SOUPAPE DISTRIBUTION	DISTRIBUTION VALVE	VENTIL
36	4199610	SILENZIATORE 1 SFE 1/8"	SILENCIEUX 1/8"	SILENCER 1/8"	SCHALLDAEMPFER 1/8"
37	4198954	RACCORDO 6510 1/8"-8 S.RAPIDO	RACCORD RAPIDE 6510 1/8"-8	QUICK UNION 6510 1/8"-8	SCHNELLANSCHLUSS 6510 1/8"-8
38	4198990	RACCORDO 6500 1/8"-8 S.RAPIDO	RACCORD RAPIDE 6500 1/8"-8	QUICK UNION 6500 1/8"-8	SCHNELLANSCHLUSS 6500 1/8"-8
39	3002446	TUBO RILSAN D. 8X6 L=100	TUYAU RILSAN D.8/6 L=100	RILSAN HOSE D.8/6 L=100	SCHLAUCH D.8x6 L=100
40	3099335	TUBO RILSAN D. 8X6 L=750	TUYAU RILSAN D.8x6 L=740	RILSAN HOSE D.8x6 L=750	SCHLAUCH D.8x6 L=750
41	2002528	GR.VALVOLA STALL.IN LINEA	SOUPAPE	VALVE UNIT	VENTIL
42	4398783	SPINA ELASTICA D.4x24 6874	GOUPILLE D.4x24	SPRING PIN D.4x24	FEDERSTIFT D.4x24
43	3002443	PERNO X VALVOLA PEDALE STALL.	AXE	PIN	STIFT
44	2002444	GR.VALVOLA LINEA SENZA PERNO	GROUPE SOUPAPE SANS GOUJON	VALVE UNIT WITHOUT PIN	VENTIL
45	4198778	RACCORDO 6410 1/8"-8 S.RAPIDO	RACCORD 6410 1/8" - 8	UNION 6410 1/8" - 8	ANSCHLUSS 6410 1/8" - 8
46	4198993	RACCORDO 6510 1/8"-6 S.RAPIDO	RACCORD 6510 1/8"-6 RAPIDE	QUICK UNION 1/8"-6	SCHNELLANSCHLUSS 1/8"-6
47	3001342	TUBO RILSAN D. 8X6 L=1000	TUYAU RILSAN D.8x6 L=1000	RILSAN HOSE D.8x6 L=1000	SCHLAUCH 8x6 L=1000
48	3000143	TUBO RILSAN 6X4 L=480	TUYAU RILSAN D.6x4 L=480	RILSAN HOSE D.6x4 L=480	SCHLAUCH 6x4 L=480
49	4399900	DADO AUTOBL.M 8 BASSO 6.S 7474	ECROU A' BLOCAGE AUTOMAT.	SELF-LOCKING NUT M8	SELBSTSICHERNDE MUTTER M8
50	4399894	MOLLA TAZZA 8,2X18X1 2093	RESSORT 8,2x18x1	BELLEVILLE WASHER 8,2x18x1	FEDER 8,2x18x1
51	4398274	VITE AUTOF. TCEI 5,5x26	VIS AUTOTARADEUSE 5,5x26	SELF-TAPPING SCREW 5,5x26	BLECHSCHRAUBE 5,5x26
52	4398848	RONDELLA 6 (6,6x18x1,5)ZNT6593	RONDELLE 6 (6,6x18x1,5)	WASHER 6 (6,6x18x1,5)	SCHEIBE 6 (6,6x18x1,5)
53	4299912	BIELLA PER CAMME	BIELLE	CONNECTING ROD	PLEUELSTANGE
54	4399891	VITE AUTOF.TC+ 2,9x6,5 ZNT	VIS AUTOTARADEUSE 2,9x6,5	SELF-TAPPING SCREW 2,9x6,5	BLECHSCHRAUBE 2,9x6,5
55	4299910	CAVALLOTTO GUIDA BIELLA	GUIDE-BIELLE	CONNECTING ROD GUIDE	PLEUELSTANGENFUEHRUNG
56	4299913	CAMMA DOPPIA	CAME	DOUBLE CAM	DOPPELKAMM
57	4299911	BALESTRA A FORCELLA	RESSORT A LAME	FORKED LEAF SPRING	GABELFEDER
58	4399889	DADO M 6 6S ZNT 5588	ECROU M6	NUT M6	MUTTER M6
59	3002157	PEDALE COM.INVERT. ALL.	PEDALE	REVERSER CONTROL PEDAL	WECHSLERPEDAL
60	3007953	BOCCOLA D.18x12,5x21 PED.INV.	DOUILLE D.18X12,5X21	BUSH D.18x12,5x21	BUECHSE D.18X12,5X21
61	4399903	RONDELLA 4 (4,5x12x1,5)ZNT6593	RONDELLE 4 (4,5x12x1,5)	WASHER 4 (4,5x12x1,5)	SCHEIBE 4 (4,5x12x1,5)
62	4399889	DADO M 6 6S ZNT 5588	ECROU M6	NUT M6	MUTTER M6
63	4399122	ROND. DEN.ES."A" 8,4x15x0,8	RONDELLE D.8	TOOTHED WASHER 8,4x15x0,8	ZAHNSCHEIBE 8,4x15x0,8
64	4399998	RONDELLA 6 (6,4x12x1,6)ZNT6592	RONDELLE 6 (6,4x12x1,6)	WASHER 6 (6,4x12x1,6)	SCHEIBE 6 (6,4x12x1,6)





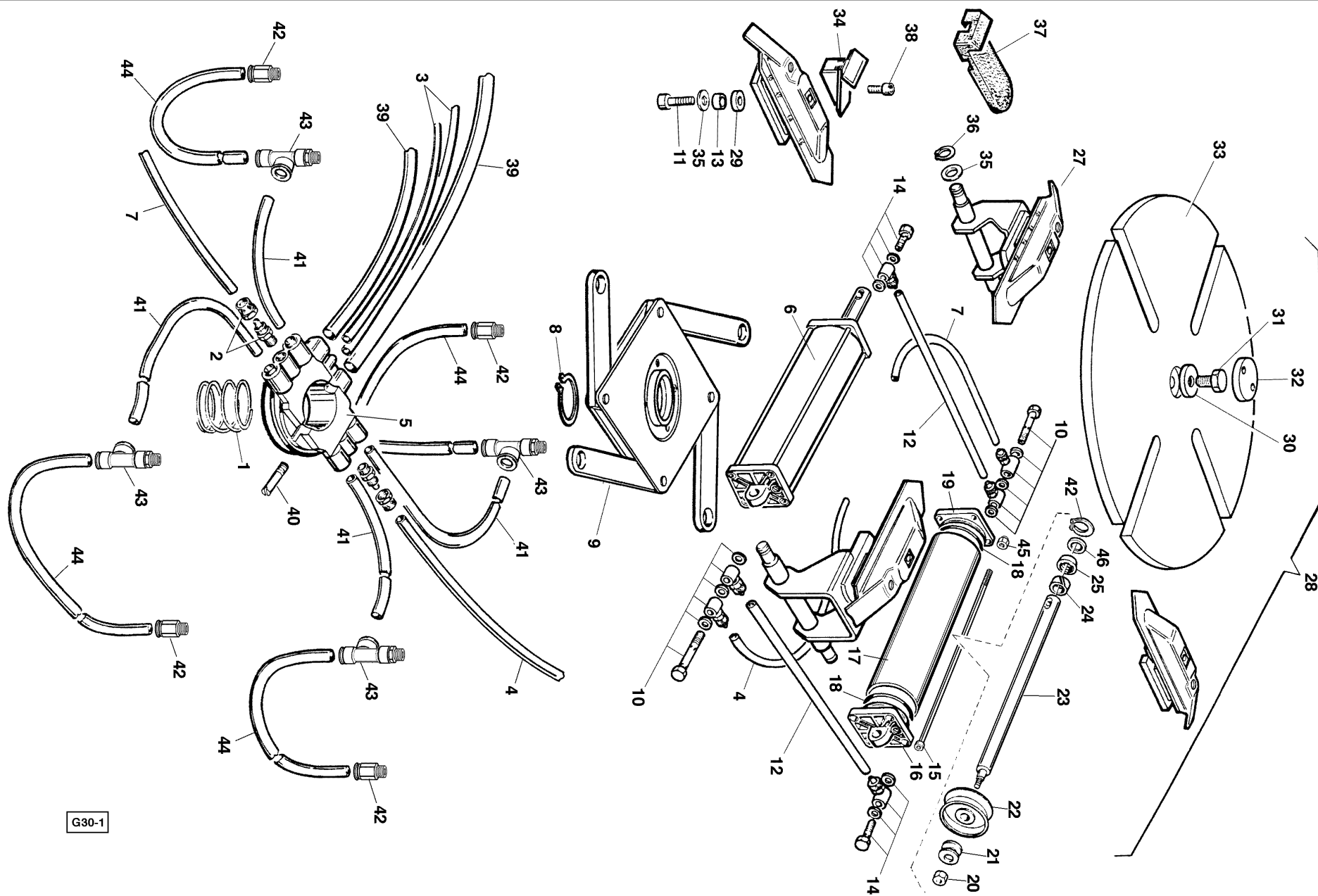
1	2000509	GR.CILINDRO STALL. 222	CYLINDRE DECOLLEUR	BEAD BREAKER CYLINDER	ZYLINDER
2	4399976	DADO M 8 6S ZNT 5588	ECROU M8	NUT M8	MUTTER M8
3	3000125	FONDELLO CILINDRO STALLONATORE	CULOT CYLINDRE DECOLLEUR	CYLINDER BASE	ZYLINDERENDSCHEIBE
4	3000124	MOLLA CILINDRO STALLONATORE	RESSORT	SPRING	FEDER
5	4399963	DADO AUTOBL.M16 BASSO.6S. 7474	ECROU A' BLOCAGE AUTOM. M16	SELF-LOCKING NUT M16	SELBSTSICHERNDE MUTTER M16
6	3000122	PISTONE CILINDRO STALLONATORE	PISTON	PISTON	ZYLINDERKOLBEN
7	4299937	ANELLO TENUTA DE 725	JOINT A LEVRE	GROMMET	DICHTUNGSRING
8	3000123	ASTA PIST.STALL. D.16 L=425	TIGE DE PISTON D.16 L=425	PISTON SHAFT D.16 L=425	KOLBENSTANGE D.16 L=425
9	4399946	VITE TE 8x16 8.8 5739	VIS M8x16 8.8	SCREW M8x16 8.8	SCHRAUBE M8x16 8.8
10	2100497	CIL. STALL.(A RIC. 2002355)	CYLINDRE DECOLLEUR	BEAD BREAKER CYLINDER	ZYLINDER
11	4399943	VITE TCEI M12x35 12.9 5931	VIS M12x35 12.9	SCREW M12x35 12.9	SCHRAUBE M12x35 12.9
12	3000117	BOCCOLA PER CILINDRO STALL.	DOUILLE	BUSH	BUECHSE
13	3000121	BOCCOLA GUIDA PERNO CIL.STALL.	DOUILLE DE GUIDAGE AXE	PIN GUIDE BUSH	FUEHRUNGSBUCHSE
14	4299942	ANELLO TENUTA DI 062	JOINT A LEVRE	GROMMET	DICHTUNGSRING
15	4299719	AMMORTIZZATORE D.16,5x59x5	AMORTISSEUR	SHOCK-ABSORBER D.16,5x59x5	STOSSDAEMPFER 16,5x59x5
16	4198808	SILENZIATORE 1/4" SPEC. D.24	ATTENUATEUR DE BRUIT 1/4"	SILENCER 1/4"	SCHALLDAEMPFER 1/4"
17	4199671	VALVOLA SCARICO RAPIDO DA 1/4"	SOUPAPE DECHARGE RAPIDE 1/4"	DUMP VALVE	SCHNELLABLASSVENTIL 1/4"
18	3000113	PERNO ORIENTABILE ASTA D.16	GOUJON PIVOTANT	SWINGING PIN	SCHWENKBOLZEN
19	3000114	MOLLA BRACCIO STALLONATORE	RESSORT BRAS DECOLLEUR	BEAD BREAKER SPRING	FEDER
20	4399945	VITE TE 16x100 8.8 P.F. 5737	VIS M16x100 8.8	SCREW 16x100 8.8	SCHRAUBE M16x100 8.8
21	3000143	TUBO RILSAN 6X4 L=480	TUYAU RILSAN D.6x4 L=480	RILSAN HOSE D.6x4 L=480	SCHLAUCH 6x4 L=480
22	6601847	BRACCIO STALL. D.25-NERO	BRAS DECOLLEUR	BEAD BREAKING ARM	WULSTABDRUECKARM
23	4399949	DADO AUTOBL.M14 BASSO.6S. 7474	ECROU A' BLOCAGE AUTOM. M14	SELF-LOCKING NUT M14	SELBSTSICHERNDE MUTTER M14
24	4398899	MOLLA TAZZA 14,3x34x1,5	RESSORT 14,3x34x1,5	BELLEVILLE WASHER 14,3x34x1,5	FEDER 14,3x34x1,5
25	4399812	RASAMENTO ACCIAIO 25X35X0,3	RONDELLE 25x35x0,3	SHIM ADJUSTMENT 25x35x0,3	AUSGLEICHRING 25x35x0,3
26	4399975	ANELLO SEEGER E D.20 7435	BAGUE SEEGER D.20	SEEGER RING D.20	SEEGER-RING D.20
27	2102175	PALETTA STALLON. D.25-ZNT	PALETTE DECOLLEUR D.25	BEAD BREAKING BLADE D.25	WULSTABDRUECKSCHAUFEL
28	4299952	POMOLO D.12	POIGNEE D.12	KNOB D.12	KUGELGRIFF D.12
29	4198993	RACCORDO 6510 1/8"-6 S.RAPIDO	RACCORD 6510 1/8"-6 RAPIDE	QUICK UNION 1/8"-6	SCHNELLANSCHLUSS 1/8"-6
30	4399979	ANELLO SEEGER E D.30 7435	BAGUE SEEGER D.30	SEEGER RING D.30	SEEGER-RING D.30



G15\_99

1	2002215	TORRETTA INTEGR.ORIENT.COMPL.	TETE DE MONTAGE	SWINGING MOUNTING HEAD	MONTIERWERKZEUG
2	4399953	VITE TE 10x16 8.8 5739	VIS M10x16 8.8	SCREW M10x16 8.8	SCHRAUBE M10x16 8.8
3	3000495	RONDELLA D. 10x36x5 -BRUNITA	RONDELLE 10x36x5	WASHER D.10x36x5	SCHEIBE D.10x36x5
4	3000215	RULLINO PER UNGHIA	GALET	PEAK ROLL	ROLLE
5	3006689	INSERTO PLAST. X TORR. INTEGR.	INSERT EN PLASTIQUE	PLASTIC INSERT	PLASTIKEINSATZSTUECK
6	4397046	VITE STEI 10x10 P.CONICA 5927	VIS STEI M10x10	SCREW STEI M10X10	SCHRAUBE STEI M10x10
7	4398854	SPINA CIL.RETT. 5x20 6364A	GOUPILLE 5x20	SPRING PIN 5x20	ZYLINDERSTIFT 5x20
8	4399121	VITE STEI 6x6 P.P. 5923	VIS 6x6	SCREW 6x6	SCHRAUBE 6X6
9	3002214	UTENSILE INT. ORIENT. -ZNT B.	OUTIL PIVOTANT	SWINGING TOOL	SCHWENKWERKZEUG
10	4398849	VITE STEI 10x16 P.P. 5923	VIS M10x16	SCREW M10x16	SCHRAUBE M10x16

**AUTOCENTRANTE 17.5" GT - AUTOCENTREUR 17.5" GT**  
**SELF-CENTERING TURNTABLE 17.5" GT - SELBSTZENRIERPLATTE 17.5" GT**



G30-1

Ref	Code	Descrizione	Description	Description	Beschreibung
1	3199589	ANELLO OR 3237 D.59,99x2,62	O-RING 59,99x2,62	JOINT TORIQUE 59,99x2,62	O-RING 59,99x2,62
2	4199789	RACCORDO 1510 1/8" 8-6	UNION	RACCORD 1510 1/8" 8-6	VERSCHRAUBUNG 1/8"
3	3000146	TUBO RILSAN 6X4 L=750	RILSAN HOSE D.6x4 L=750	TUYAU RILSAN D.6x4 L=750	SCHLAUCH 6x4 L=750
4	3000147	SPIRALE RILSAN 6x4 L=400	RILSAN SPIRAL HOSE 6x4 L=400	TUYAU RILSAN D.6x4 L=400	SPIRALSCHLAUCH 6x4 L=400
5	4299492	RACCORDO GIREVOLE TUBELES-17"	ROTATING UNION	RACCORD TOURNANT TUBELESS 17"	DREHANSCHLUSS
6	2008057	GR.CILINDRO AUT.17"1/2 INT.	17,5" TURNTABLE CYLINDER	GR. VERIN CENTR.17,5"	17,5"ZENTRIERTISCH-ZYLIND.
7	3000148	TUBO RILSAN 6X4 L=200	RILSAN HOSE D.6x4 L=200	TUYAU RILSAN D.6x4 L=200	SCHLAUCH 6x4 L=200
8	4399932	ANELLO SEEGER E D.65 7435	SEEGER RING D.65	BAGUE SEEGER D.65	SEEGER-RING D.65
9	2101121	FLANGIA COMANDO - BRUNITA	CONTROL FLANGE	BRIDE DE COMMANDE	FLANSCH
10	4198870	RACCORDO DOPPIO 1/8"-8-6	DOUBLE UNION 1/8" 8-6	RACCORD DOUBLE 1/8"-8-6	DOPPELANSCHLUSS 1/8"-8-6
11	4398838	VITE TE 12x1,25x45 8.8 PF 5738	SCREW M12x1,25x45	VIS M12x1,25x45	SCHRAUBE 12x1,25x45 8.8
12	3099338	TUBO RILSAN D. 8X6 L=170	RILSAN HOSE D.8x6 L=170	TUYAU RILSAN D.8x6 L=170	SCHLAUCH 8x6 L=170
13	3000108	DISTANZIALE BIELLA D.12X18X11	CONNECT.ROD SPACER D.12x18x11	ENTRETOISE BIELLE D.12x18x11	ABSTANDSSTUECK D.12x18x11
14	4198898	RACCORDO SEMPLICE 1/8"-8-6	UNION 1/8" 8-6	RACCORD 1/8" 8-6	ANSCHLUSS 1/8" -8-6
15	3007947	VITE SPEC. TE M8x289,5 ZNT B.	SPECIAL SCREW M8x289,5	VIS SPEC. M8x289,5	SONDERSCHRAUBE 8x289,5
16	3002293	FLANGIA POSTER. CIL. AUT.	BACK FLANGE	BRIDE ARRIERE	FLANSCH
17	3008039	CAMICIA CIL. 17"1/2 L=265,5	CYLINDER LINER 17,5" L=265,5	CHEMISE CYLINDRE 17,5" L=265,5	ZYLINDERMANTEL 17,5" L=265
18	4298822	ANELLO OR 842 D.68,26x3,53	O-RING D.68,26x3,53	BAGUE OR D.68,26x3,53	O-RING D.68,26x3,53
19	3002294	FLANGIA ANTER. CIL. AUT.	FRONT FLANGE	BRIDE ANT. VERIN	VORDERFLANSCH
20	4399865	DADO AUTOBL.M12 BASSO.6S. 7474	SELF-LOCKING NUT M12	ECROU A' BLOCAGE AUTOMAT. M12	SELBSTSICHERNDE MUTTER
21	4398753	RONDELLA 12,5x30x3 ZNT.	WASHER D.12,5x30x3	RONDELLE D.12,5x30x3	SCHEIBE D.12,5x30x3
22	4198856	PISTONE MONOBLOCCO TDUOP D.75	PISTON D.75	PISTON D.75	KOLBEN D.75
23	3002290	ASTA CILINDRO AUT.17"1/2 L=316	17,5" TURNT. CYLIND. ROD L=316	TIGE POUR CYLINDRE AUTOC.17"	ZYLINDERSTANGE 17,5" L=316
24	4298823	NASTRO DI GUIDA ASTA CILINDRO	GUIDE IN NYLON	GUIDAGE EN NYLON	NYLON-RING f. ZYLINDERSTAN.

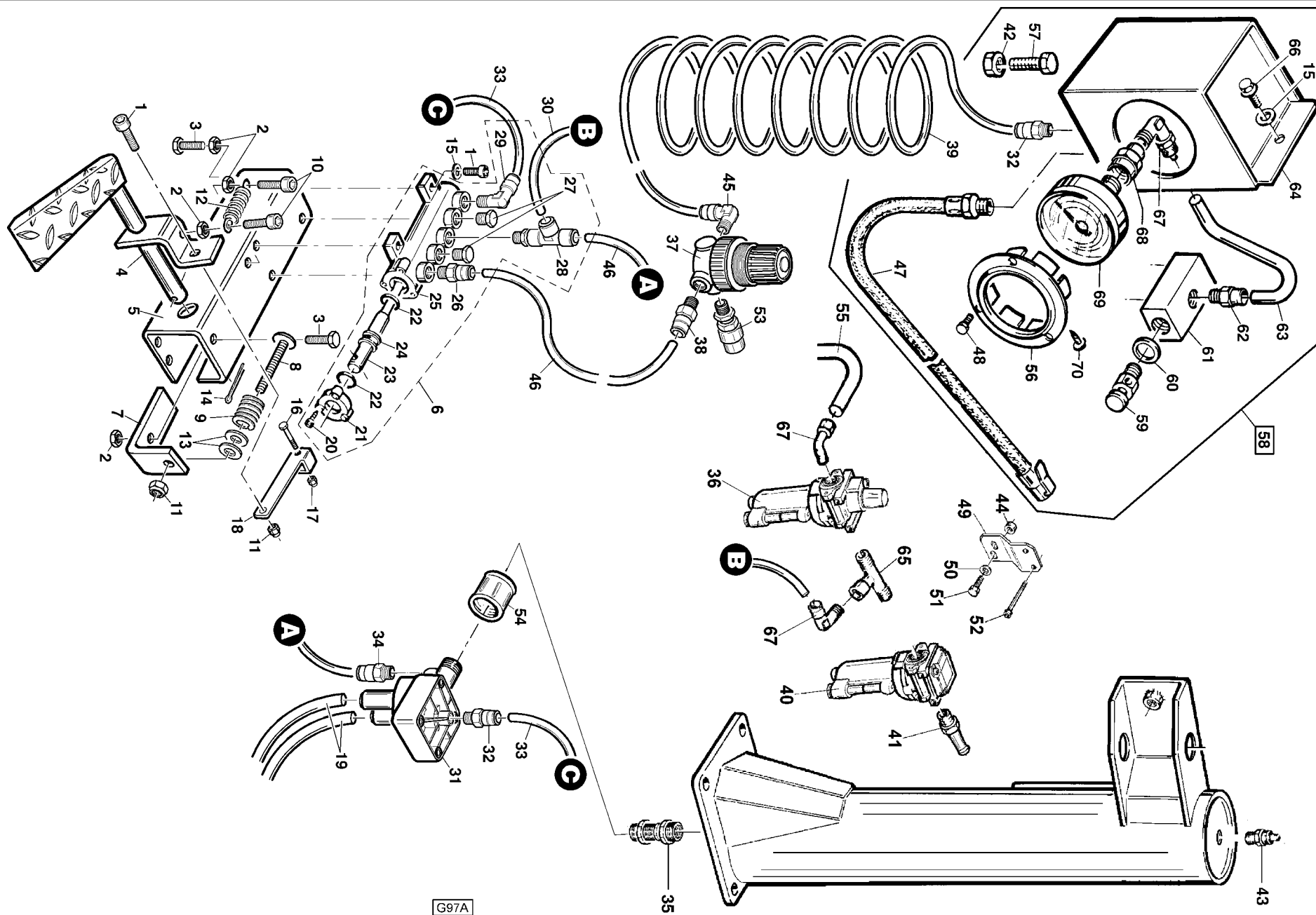
25	3199601	RASCH.BID. NSW 20-30-6 XNU01	OIL SCRAPER	GARNITURE BIDIRECTIONNELLE	OELABSTREIFER
26	2101352	SCORREVOLE GUIDA-UGELLO-BRUN.	SLIDE WITH GUIDE	PATIN AVEC GUIDE - GICLEUR	SCHLITTEN
27	2101350	SCORREVOLE GUIDA-PERNO-UG-BRUN	SLIDE WITH GUIDE AND PIN	PATIN AVEC GUIDE ET AXE	SCHLITTEN
28	2001357	AUTOCENTRANTE 17"1/2 GT	SELF-CENTERING TURNTABLE 17,5"	AUTOCENTREUR 17" 1/2 GT	SELBSTZENTRIERENDER 17"
29	3000107	DISTANZIALE AUTOC.12,5X25X8	TURNTABLE SPACER 12,5x25x8	ENTRETOISE 12,5x25x8	ABSTANDSTUECK 12,5x25x8
30	3000090	ROND. BLOCC.PIATTO	WASHER	RONDELLE	FIXIERSCHEIBE
31	4399926	VITE TE 16x1,5x40 8.8 5740	SCREW M16x1,5x40 8.8	VIS M16x1,5x40 8.8	SCHRAUBE M16x1,5x40 8.8
32	3000062	PROTEZIONE CENTRALE PIATTO	TURNTABLE CAP	PROTECTION PLATEAU	SCHUTZ
33	2100865	PIATTO AUTOC.GT 17"1/2 -D.550	17,5" TURNTABLE D.550	PLATEAU AUTOCENTREUR GT 17"	17,5" SELBSTZENTRIERTISCH
34	3001107	GRIFFA BLOCCAGGIO	CLAMP	MORS DE BLOCAGE	SPANNKLAUE
35	4399981	RONDELLA 12 (13x24x2,5)ZNT6592	WASHER 12 (13x24x2,5)	RONDELLE 12 (13x24x2,5)	SCHEIBE 12 (13x24x2,5)
36	4399864	ANELLO SEEGER E D.12 7435	SEEGER RING D.12	BAGUE SEEGER D.12	SEEGER-RING D.12
37	3001468	PROTEZ.INTEGRALE GRIFFA	CLAMP COVER	PROTECTION MORS	KLAUENSCHUTZ
38	4398037	VITE TCEI 10x1,25x25 12.9 TF	SCREW 10x1,25x25 12.9	VIS TCEI 10x1,25x25 10.9 T.F.	SCHRAUBE 10x1,25x25 12.9
39	3002109	TUBO RILSAN 14X11 L=1070	RILSAN HOSE D.14x11 L=1070	TUYAU RILSAN 14x12 L=1070	SCHLAUCH D.14x11 L=1070
40	4397979	ANELLO SEEGER J 30 x 1,2 V	SEEGER RING J 30x1,2 V	BAGUE SEEGER J 30x1,2 V	SEEGER RING J 30x1,2 V
41	3000870	TUBO RILSAN D. 8X6 L=240	RILSAN HOSE 8x6 L=240	TUYAU RILSAN D.8x6 L=240	SCHLAUCH D.8x6 L=240
42	4198954	RACCORDO 6510 1/8"-8 S.RAPIDO	QUICK UNION 6510 1/8"-8	RACCORD RAPIDE 6510 1/8"-8	SCHNELLANSCHLUSS 6510
43	4199888	RACCORDO "T" 1/8"-8/6 A.112	T-UNION	RACCORD PST08-01 1/8"-8	T-VERSCHRAUBUNG 1/8"
44	3000230	SPIRALE RILSAN 8X6 L=400	RILSAN SPIRAL HOSE 8x6 L=400	TUYAU DE RACC. AU DISTRIBUTEUR	SPIRALSCHLAUCH 8x6 L=400
45	4397678	DADO FLANGIATO M8 ZNT DIN 6923	FLANGE NUT M8	ECROU	KRONENMUTTER M8
46	4398146	RASAMENTO D.24x30x0,3	SHIM D.24x30x0,3	CALE D.24x30x0,3	AUSGLEICHRING 24x30x0,3





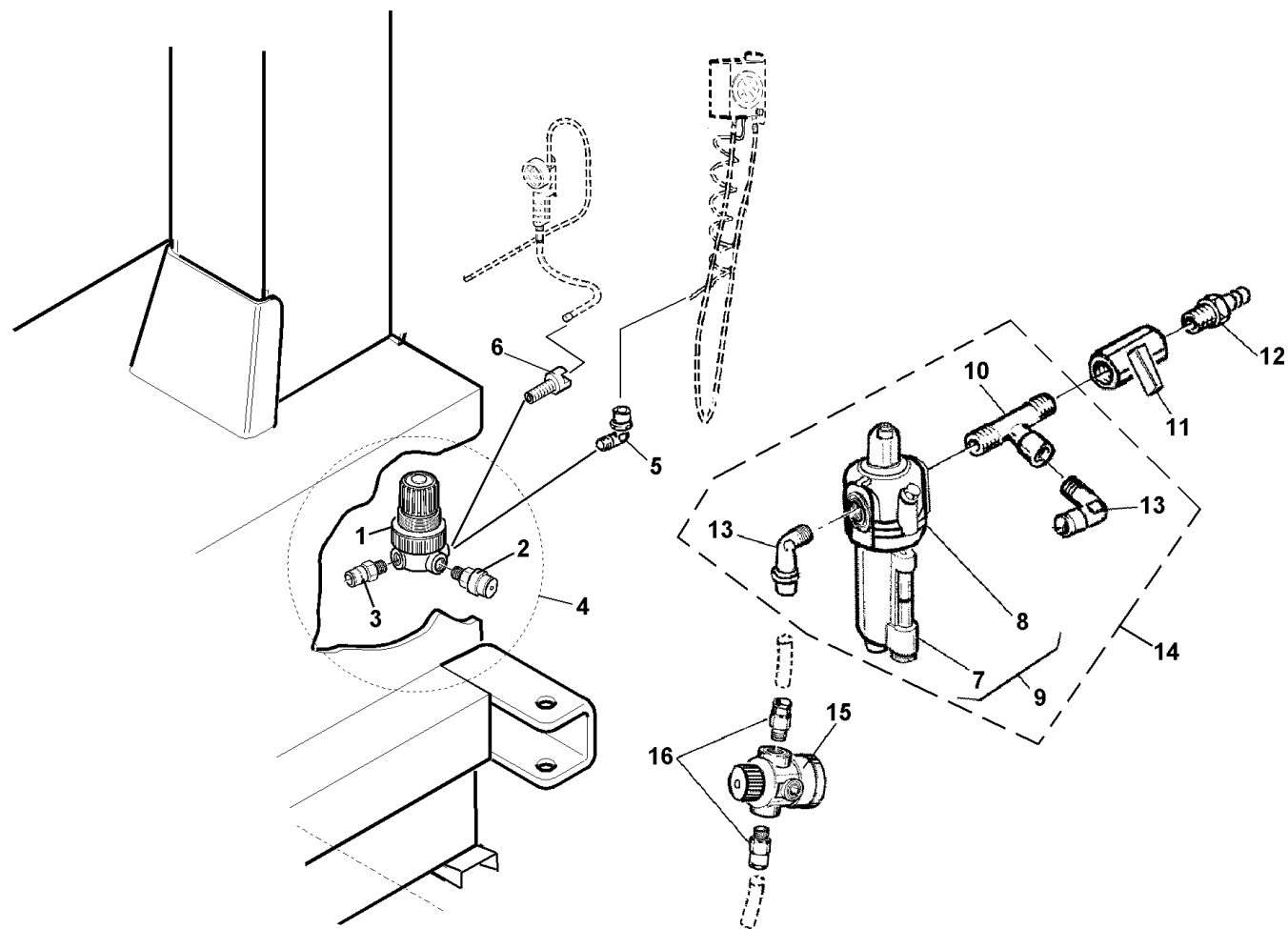
Ref	Code	Descrizione	Description	Description	Beschreibung
1	2010900	GR. RIDUTT. SMTG AUTO COMPL.	REDUCTION GEAR UNIT	GROUPE REDUCTEUR	REDUKTORAGGREGAT
2	3010872	SCATOLA SUPER. RIDUTT.	REDUCTION GEAR BOX	BOITE REDUCTEUR	REDUKTORKASTEN
3	4296945	CUSCINETTO 6212 2RS 60x110x22	BEARING 60X110X22	COUSSINET 60X110X22	LAGER 60X110X22
4	3010883	VITE SENZA FINE RID.SMTG AUTO	WORM	VIS SANS FIN	SCHNECKE
5	4296944	CUSCINETTO RULLI CONICI 30204	BEARING	COUSSINET	LAGER
6	3010886	COPERCHIETTO TENUTA 35-8	SEALING CAP	BOUTON D'ETANCHEITE'	DICHTUNGSKAPPE
7	4296943	ANELLO OR 140 D.34,52x3,53	O-RING D.34,52X3,53	JOINT TORIQUE D.34,52X3,53	O-RING D.34,52X3,53
8	4396947	LINGUETTA 6x6x18 (A) 6604	TAB 6X6X18	PLAQUE 6X6X18	PLÄTTCHEN 6X6X18
9	4296942	ANELLO TENUTA 20x35x10	O-RING 20X35X10	JOINT TORIQUE 20X35X10	O-RING 20X35X10
10	4398807	RONDELLA 14 (15x28x2,5)ZNT6592	WASHER 14 (15x28x2,5)	RONDELLE 14 (15x28x2,5)	SCHEIBE 14 (15x28x2,5)
11	4396941	DADO M14 6S BASSO ZNT 5589	NUT M14	ECROU M14	MUTTER M14
12	3010863	PULEGGIA RIDUTT. SMTG AUTO	GEARBOX PULLEY	POULIE REDUCTEUR	REDUKTORSCHEIBE
13	4399134	VITE TCEI M 8x30 8.8 5931	SCREW TCEI 8x30 8.8	VIS M8x30 8.8	SCHRAUBE TCEI M 8X 30 8.8
14	4399900	DADO AUTOBL.M 8 BASSO 6.S 7474	SELF-LOCKING NUT M8	ECROU A' BLOCAGE AUTOMAT. M8	SELBSTSPERRENDE MUTTER M8
15	4396940	SPINA CIL.RETT. 8x20 6364A	PIN 8X20	AXE 8X20	STIFT 8X20
16	3010884	RUOTA ELICOIDALE RID.-FINITA	HELICAL GEAR	ROUE HELICOIDALE	SCHNECKENRAD
17	4396946	ANELLO SEEGER E D.60x3 7436	SEEGER RING D.60X3	JOINT SEEGER D.60X3	SEEGER RING D.60X3
18	3010885	PERNO PER RUOTA ELICOID.	HELICAL GEAR STUD	AXE POUR ROUE HELICOIDALE	SCHNECKENRADBOLZEN
19	4396948	LINGUETTA 16x10x70 (A) 6604	TAB 16X10X70	PLAQUE 16X10X70	PLÄTTCHEN 16X10X70
20	4296910	CUSCINETTO 6212 60x110x22	BEARING 60X110X22	COUSSINET 60X110X22	LAGER 60X110X22
21	3010873	SCATOLA INFERIORE RIDUTTORE	REDUCTION GEAR BOX	BOITE REDUCTEUR	REDUKTORKASTEN
22	3010864	PULEGGIA MOTORE SMTG AUTO	MOTOR PULLEY	POULIE MOTEUR	MOTORSCHEIBE
23	4399922	VITE STEI 8x14 P.CIL. 5925	SCREW 8x14	VIS 8x14	SCHRAUBE 8x14
24	4296813	CINGHIA PV 610 J6	FLAT BELT	COURROIE	RIEMEN

25	3011384	ANGOLARE TENDICINGHIA-ZNT B.	TENSION ANGLE BAR	TENDEUR DE COURROIE EN L	RIEMENSPANNWINKELEISEN
26	4399946	VITE TE 8x16 8.8 5739	SCREW M8x16 8.8	VIS M8x16 8.8	SCHRAUBE M8x16 8.8
27	4399829	RONDELLA 8 (8,4x16x1,5)ZNT6592	WASHER 8 (8,4x16x1,5)	RONDELLE 8 (8,4X16X1,5)	SCHEIBE 8 (8,4x16x1,5)
28	4399976	DADO M 8 6S ZNT 5588	NUT M8	ECROU M8	MUTTER M8
29	4399824	VITE TE 10x14 8.8 5739	SCREW M10x14 8.8	VIS M10x14 8.8	SCHRAUBE M10x14 8.8
30	3011383	SUPP. MOTORE NUOVO RID.-ZNT B.	MOTOR SUPPORT	SUPPORT DE MOTEUR	MOTORLAGER
31	4399966	VITE TE 10x20 8.8 5739	SCREW M10x20 - 8.8	VIS 10x20 8.8	SCHRAUBE M10x20 8.8
32	4399935	VITE TE 8x25 8.8 5739	SCREW TE M8X25 8.8	VIS TE M8x25 8.8	SCHRAUBE TE M8x25 8.8
33	3000149	SUPP. MOTORE NUOVO RID.-ZNT B.	MOTOR SUPPORT	SUPPORT DE MOTEUR	MOTORLAGER
34	4399880	VITE TE 10x40 8.8	SCREW M10x40 - 8.8	VIS 10x40 8.8	SCHRAUBE M10x40 8.8
35	4399969	DADO M 10 6S	NUT M10	ECROU M10	MUTTER M10
36	3000164	PUNTALE PER TENDICINGHIA	BELT-STRETCHER SHOE	POINTEAU DE TENDEUR COURROIE	STUTZE f. RIEMENSPANNER
37	4599914	MOTORE 1PH - HP1,2 230V.50/60HZ	1PH MOTOR 1,2HP 230V 50/60HZ	MOTEUR 1PH 1,2HP 230V 50/60HZ	1PH MOTOR 1,2HP 230V 50/60HZ
37 A	4599924	MOTORE 3PH - 230/400V. 50 HZ	3 PHASE MOTOR 230/400 V. 50 HZ	MOTEUR 230/400 V 3 PH-50 HZ	DREIPHASENMOTOR 230/400V 50HZ
37 B	4598919	MOTORE 2VELOCITA.400V.HP 1-1,5 B3	TWO SPEED MOTOR	MOTEUR 2V. 400V HP 1/1,5	MOTOR 400V. HP.1/1,5 - B.3
37 C	4598499	MOTORE 1PH 115V. HP1,2 50/60Hz	115V 1PH MOTOR	MOTEUR 115V 1PH	MOTOR 115V. 1PH.
38	4396700	ANELLO SEEGER E D.50x2 7436	SEEGER RING D.50x2	JOINT SEEGER D.50x2	SEEGER RING D.50x2
39	4399964	VITE TE M 6x10	SCREW TE M6 x 10	VIS TE M6 x 10	SCHRAUBE TE M6x10 8.8
40	3001996	VITE PER RACCORDO GIREVOLE GT	SCREW FOR ROTATING UNION GT	VIS pour RACCORD PIVOTANT GT	SCHRAUBE f. DREHANSCHLUSS GT



Ref	Code	Descrizione	Description	Description	Beschreibung
1	4399890	VITE TCEI M 6x20 8.8 5931	VIS M6x20 - 8.8	SCREW M6x20 - 8.8	SCHRAUBE M6x20 -8.8
2	4399889	DADO M 6 6S ZNT 5588	ECROU M6	NUT M6	MUTTER M6
3	4399892	VITE TE 6x20 8.8 5739	VIS M6x20 - 8.8	SCREW M6x20 - 8.8	SCHRAUBE M6x20 - 8.8
4	2110288	PEDALINO GT -ZINC. B.	PEDALE GT	GT PEDAL	GT-PEDAL
5	3010287	SUPPORTO PEDAL. GT-ZINC.B.	SUPPORT DE PEDALE GT	GT PEDAL SUPPORT	GT-PEDALSTUETZ
6	2009718	GR.VALVOLA GT COATS 9010	GR.SOUPAPE GT	VALVE UNIT	VENTIL
7	3008005	SUPP. VITE FINE CORSA-ZINC.B.	SUPP. VIS FIN-DE-COURSE	LIMIT STOP SCREW SUPPORT	ANSCHLAGSCHRAUBENSTUETZE
8	4398890	BULL. TTLQS 6x40 4.6 ZNT 5732	VIS 6x45 4.8	BOLT 6x40 4.6	SCHRAUBE 6x40 4.6
9	4298942	MOLLA GIALLA SL D.20x26	RESSORT D.20x26	SPRING D.20x26	FEDER D.20x26
10	4399999	VITE TCEI M 6x25 8.8 5931	VIS M6x25 - 8.8	SCREW M6x25 - 8.8	SCHRAUBE M6x25 - 8.8
11	4399893	DADO AUTOBL.M 6 BASSO.6S. 7474	ECROU A' BLOCAGE AUTOM. M6	SELF-LOCKING NUT M6	SELBSTSICHERNDE MUTTER M6
12	3000141	MOLLA RITORNO PEDALI	RESSORT DE RAPPEL PEDALES	SPRING	RUECKZUGFEDER
13	4398807	RONDELLA 14 (15x28x2,5)ZNT6592	RONDELLE 14 (15x28x2,5)	WASHER 14 (15x28x2,5)	SCHEIBE 14 (15x28x2,5)
14	4399100	COPIGLIA D.3,2X30 1336	GOUPILLE D.3,2x300	SPLIT PIN D.3,2x30	SPLINT D.3,2X30
15	4399998	RONDELLA 6 (6,4x12x1,6)ZNT6592	RONDELLE 6 (6,4x12x1,6)	WASHER 6 (6,4x12x1,6)	SCHEIBE 6 (6,4x12x1,6)
16	4399897	VITE TE 4x25 8.8 P.F. 5737	VIS M4x25 - 8.8	SCREW M4x25 - 8.8	SCHRAUBE M4x25 - 8.8
17	4399895	DADO AUTOBL.M 4 BASSO.6S. 7474	ECROU A' BLOCAGE AUTOMAT. M4	SELF-LOCKING NUT M4	SELBSTSICHERNDE MUTTER M4
18	3001853	LEVETTA COMANDO VALVOLA -ZNT	LEVIER COMMANDE SOUPAPE	VALVE CONTROL LEVER	VENTILKONTROLLHEBEL
19	3002109	TUBO RILSAN 14X11 L=1070	TUYAU RILSAN 14x12 L=1070	RILSAN HOSE D.14x11 L=1070	SCHLAUCH D.14x11 L=1070
20	4398999	VITE AUTOF. TCIC 3,5x13 6954	VIS AUTOTARADEUSE 3,5x13	SELF-TAPPING SCREW 3,5x13	BLECHSCHRAUBE 3,5x13
21	3001585	FLANGIA X VALVOLA 3001583	BRIDE POUR SOUPAPE 3001583	FLANGE for VALVE 3001583	FLANSCH
22	4299000	ANELLO OR 9,8x3,85	JOINT OR 9,8x3,85	O-RING 9,8x3,85	O-RING 9,8x3,85
23	3001849	ASTA X VALVOLA PNEU. GT TN	TIGE POUR SOUPAPE	GT PNEUMATIC VALVE SHAFT	VENTILSTANGE
24	3001584	DISTANZIALE X VALVOLA 3001583	ENTRETOISE	SPACER FOR VALVE 3001583	ABSTANDSSTUECK
25	3001583	VALVOLA DISTRIB.-SENZA CHIAVET	SOUPAPE DISTRIBUTION	DISTRIBUTION VALVE	VENTIL
26	4198954	RACCORDO 6510 1/8"-8 S.RAPIDO	RACCORD RAPIDE 6510 1/8"-8	QUICK UNION 6510 1/8"-8	SCHNELLANSCHLUSS 6510 1/8"-8
27	4199161	TAPPO MASCHIO 2611 1/8"	BOUCHON 1/8"	PLUG	VERSCHRAUBUNG 1/8"
28	4199888	RACCORDO "T" 1/8"-8/6 A.112	RACCORD PST08-01 1/8-8	T-UNION	T-VERSCHRAUBUNG 1/8"
29	4199098	RACCORDO 6500 1/8" 6-4 S.RAPID	RACCORD 1/8" 6-4	UNION 6500 1/8" 6-4	ANSCHLUSS 6500 1/8" 6-4
30	3001382	TUBO RILSAN D. 8X6 L=850	TUYAU RILSAN D.8x6 L=850	RILSAN HOSE D.8x6 L=850	SCHLAUCH D.8x6 L=850
31	4198531	VALVOLA PNEUM. 1"	SOUPAPE PNEUMAT.1"	PNEUMATIC VALVE 1"	DRUCKLUFTVENTIL 1"
32	4198884	RACCORDO 6510 1/4"-8 S.RAPIDO	RACCORD 6510 1/4"	UNION 6510 1/4"	ANSCHLUSS 6510 1/4"-8
33	3002110	TUBO RILSAN 6X4 L=580	TUYAU RILSAN D.6x4 L=580	RILSAN HOSE D.6x4 L=580	SCHLAUCH 6x4 L=580
34	4198298	RACCORDO 6510 1/4"-6 S.R.	RACCORD 6510 1/4" -6	6510 UNION 1/4"-6	ANSCHLUSS 6510 1/4" -6
35	4198852	RACCORDO 3 PZ.(125)1" F/M 90'	RACCORD 3 PCS.(125) 1" F/M	UNION 3 PCS.(125) 1" F/M 90'	ANSCHLUSS 1" F/M 90'

36	4197974	LUBRIFIC.1/4" C104 L00	GRAISSEUR 1/4"	1/4" OILER	SCHMIERER 1/4"
37	4198173	REGOLATORE 1/4" 0-3,5 BAR	REGULATEUR 1/4" 0-3,5 BAR	REGULATOR 1/4" 0-3,5 BAR	DRUCKREGLER 1/4" 0-3,5 BAR
38	4198884	RACCORDO 6510 1/4"-8 S.RAPIDO	RACCORD 6510 1/4"	UNION 6510 1/4"	ANSCHLUSS 6510 1/4"-8
39	3000635	SPIRALE RILSAN 8X6 L=2300	SPIRALE RILSAN D.8x6 L=2300	RILSAN HOSE D.8x6 L=2300	SPIRALSCHLAUCH 8x6 L=2300
40	4197972	FILTRO 1/4" C104 F10 FI 5nM	FILTRE 1/4"	FILTER 1/4"	FILTER 1/4"
41	4198938	RACCORDO 11021 1/4" M USA	RACCORD 11021 1/4"	UNION	VERSCHRAUBUNG 1/4"
42	4399976	DADO M 8 6S ZNT 5588	ECROU M8	NUT M8	MUTTER M8
43	4199189	VALV.SIC.1/4"0/12 BAR+RIV+CAPP	SOUPAPE DE SECURITE'	SAFETY VALVE 1/4" 0/12 BAR	SICHERHEITSVENTIL 1/4" 0/12BAR
44	4399996	DADO M 4 6S ALTO ZNT 5587	ECROU M4 6S	NUT M4 6S	MUTTER M4 6S
45	4198578	RACCORDO 6520 1/4"-8/6 GIREV.	RACCORD 6520 1/4"8/6	ROTATING UNION 1/4"-8/6	VERSCHRAUBUNG 6520 1/4"-8/6
46	3010798	TUBO RILSAN D. 8x6 L=440	TUYAU RILSAN D.8x6 L=440	RILSAN HOSE D. 8x6 L=440	RILSAN SCHLAUCH D.8x6 L=440
47	2008872	GR.TUBO CENTR. GT EIWA L=1400	GR. TUYAU COM. GT L.1000	GT CONTROL UNIT HOSE L=1400	SCHLAUCH L=1400
48	4399038	VITE TE 4x8 8.8 5739	VIS M4x8	SCREW M4x8	SCHRAUBE 4x8 8.8
49	3006641	SQUADRETTA LUBR. BIG - ZNT	PLAQUETTE	KEEP PLATE	KLEMMPLATTE
50	4399903	RONDELLA 4 (4,5x12x1,5)ZNT6593	RONDELLE 4 (4,5x12x1,5)	WASHER 4 (4,5x12x1,5)	SCHEIBE 4 (4,5x12x1,5)
51	4399124	VITE TE 4x16 8.8 ZNT 5739	VIS M4x16 8.8	SCREW M4x16 8.8	SCHRAUBE 4x16 8.8
52	4397965	VITE TCEI M 4x50 8.8 5931	VIS 4x50 - 8.8	SCREW M4x50 - 8.8	SCHRAUBE 4x50 - 8.8
53	4198435	VALV.SIC.1/8"0/4 BAR+RIV.+CAP.	SOUPAPE SECURITE' 1/8" 0/4 BAR	SAFETY VALVE 1/8" 0/4 BAR	SICHERHEITSVENTIL 1/8" 0/4BAR
54	4198642	MANICOTTO F 1"	MANCHON F 1"	SLEEVE COLLAR F 1"	MUFFE 1"
55	3000144	TUBO RILSAN D. 8X6 L=910	TUYAU RILSAN D.8x6 L=910	RILSAN HOSE D.8x6 L=910	SCHLAUCH D.8x6 L=910
56	3002351	FLANGIA X MANOMETRO D.80	BRIDE POUR MANOMETRE D.80	FLANGE FOR MANOMETER D.80	FLANSCH
57	4399946	VITE TE 8x16 8.8 5739	VIS M8x16 8.8	SCREW M8x16 8.8	SCHRAUBE M8x16 8.8
58	2008871	CENTR.PNEU.GT KPA-PSI-BAR EIWA	UNITE' DE CONTROL PNEUM. GT	GT PNEUM. CONTROL UNIT	DRUCKLUFTEINHEIT GT
59	4299354	PULSANTE DI SCARICO	BOUTON-POUSSOIR DE DECHARGE	RELIEF PUSHBUTTON	ABLASSKNOPF
60	4399256	ROND. RAME 1/4" (13x19x1,5)	RONDELLE 1/4" D.13x19x1,5	WASHER 1/4" D.13x19x1,5	KUPFERSCHEIBE 1/4" D.13x19x1,5
61	3002353	RIPARTITORE X U.G.	REPARTITEUR UNITE' GONFLAGE	DISTRIBUTION FRAME	VERTEILER
62	4198993	RACCORDO 6510 1/8"-6 S.RAPIDO	RACCORD 6510 1/8"-6 RAPIDE	QUICK UNION 1/8"-6	SCHNELLANSCHLUSS 1/8"-6
63	3002599	TUBO ELASTOLAN 6X4 L=170	TUYAU D.6/4 L=170	ELASTOLAN HOSE 6x4 L=170	SCHLAUCH 6x4 L=170
64	6602342	SCATOLA MANOMETRO GT-NERO BUC.	BOITIER MANOMETRE GT	GT PRESSURE GAUGE UNIT	MANOMETERKASTEN
65	4198973	RACCORDO 2090 1/4" MFM	RACCORD 2090 1/4"	UNION	ANSCHLUSS 2090 1/4"
66	4399892	VITE TE 6x20 8.8 5739	VIS M6x20 - 8.8	SCREW M6x20 - 8.8	SCHRAUBE M6x20 - 8.8
67	4198833	RACCORDO 1500 1/8"-6/4 D.I.0,8	RACCORD 1500 1/8" 6/4	UNION 1500 1/8" 6/4	ANSCHLUSS 1500 1/8" - 6/4
68	4198803	RIDUZIONE 2553 FF 1/4"-1/8"	REDUCTEUR 2553 FF 1/4"-1/8"	REDUCTION 1/4"-1/8"	ANSCHLUSS 2553 FF 1/4"-1/8"
69	4299069	MANOMETRO CEE D. 80	MANOMETRE CEE D.80	PRESSURE GAUGE CEE D.80	MANOMETER CEE D.80
70	4398945	VITE AUTOPERFORANTE TCB 4x12,6	VIS 4x12,6	SCREW 4x12,6	SCHRAUBE 4x12,6



1	4198173	REGOLATORE 1/4" 0-3,5 BAR	REGULATEUR 1/4" 0-3,5 BAR	REGULATOR 1/4" 0-3,5 BAR	DRUCKREGLER 1/4" 0-3,5 BAR
2	4198435	VALV.SIC.1/8"0/4 BAR+RIV.+CAP.	SOUPAPE SECURITE' 1/8" 0/4 BAR	SAFETY VALVE 1/8" 0/4 BAR	SICHERHEITSVENTIL 1/8" 0/4BAR
3	4198884	RACCORDO 6510 1/4"-8 S.RAPIDO	RACCORD 6510 1/4"	UNION 6510 1/4"	ANSCHLUSS 6510 1/4"-8
4	2010781	GR.REGOLAT.4 BAR USC. GT CE	GRUPPE REGULATEUR PRESS. 4BAR	4 BAR PRESSURE REGULATOR UNIT	4 BAR-DRUCKREGLERGRUPPE
5	4198578	RACCORDO 6520 1/4"-8/6 GIREV.	RACCORD 6520 1/4"8/6	ROTATING UNION 1/4"-8/6	VERSCHRAUBUNG 6520 1/4"-8/6
6	4199797	RACCORDO 9A/M 1/4"	RACCORD 9A/M 1/4"	UNION 9A/M 1/4"	ANSCHLUSS 9A/M 1/4"
7	4199043	TAZZA LUBRIFICATORE AL+VISIVO	CUVE DU LUBRIFICATEUR	LUBRICATOR CUP	SCHMIERBECHER
8	4198864	CORPOLUBRIFICATORE ENTR.OPP.	CORPS LUBRIFICATEUR	LUBRICATOR	SCHMIERER
9	4198936	LUBRIFIC.1/4"N14 E.O.AL.+VIS.	GRAISSEUR 1/4"	LUBRICATOR 1/4"	SCHMIERER 1/4"
10	4198973	RACCORDO 2090 1/4" MFM	RACCORD 2090 1/4"	UNION	ANSCHLUSS 2090 1/4"
11	4198143	VALVOLA 400 1/4" F-F	SOUPAPE 400 1/4" F-F	VALVE 400 1/4" F-F	VENTIL 400 1/4" F-F
12	4199026	ATTACCO RESCA 2P 1/4 8	ATTELAGE	UNION 1/4	VERBINDUNG
13	4198883	RACCORDO 6500 1/4"-8 S.RAPIDO	RACCORD 6500 1/4"-8 RAPIDE	QUICK UNION 6500 1/4"-8	ANSCHLUSS 6500 1/4" - 8
14	2010786	GR.LUBRIF. NEW CE FINO A S.222	GRUPPE HUILEUR	LUBRICATOR UNIT	SCHMIERGRUPPE
15	4198951	REGOLATORE 1/4" 0,5-10 BAR	REGULATEUR 1/4" 0,5-10 BAR	REGULATOR	REGLER 1/4" 0,5 - 12 BAR
16	4198884	RACCORDO 6510 1/4"-8 S.RAPIDO	RACCORD 6510 1/4"	UNION 6510 1/4"	ANSCHLUSS 6510 1/4"-8