

D. Periodically replaced the plastic insert inside mount/demount tool.

E. Lubricate rods of air cylinders with oil as needed.

F. Periodically wash all plastic parts with cold water and soap or window cleaner.

G. Check the bead breaker pads. Replace if worn.

H. If the machine is equipped with an air filter, discharge the water every day.

I. If the machine is equipped with an automatic air lubricator, check the oil level weekly. When adding oil to the lubricator, disconnect the air supply first, remove the fill screw 'A', and add oil as needed. Make sure seals are in place when replacing the cap. Drain water daily from water separator. Do this by pulling down the fitting 'B' (Fig.29).

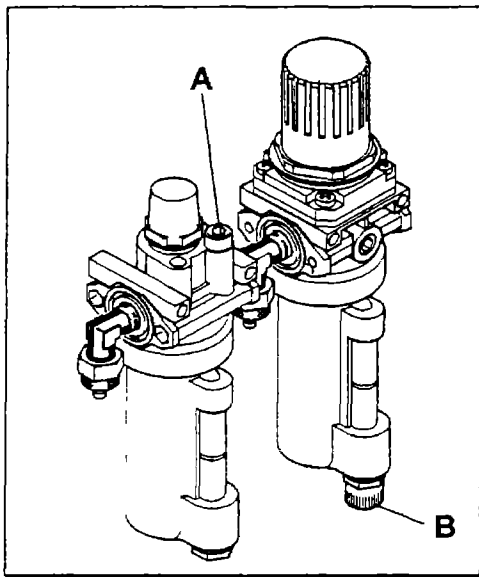


Fig.29

WARNING!
USE ONLY OILS FOR AIR DEVICES. DO NOT USE BRAKE FLUID OR OTHER NON SUGGESTED LUBRICANTS.

Suggested oils for the filter/lubricator unit:

TAMOIL:	WHITE MINERAL OIL 15
SHELL:	ONDINA OIL 15
BP:	ENERGOL WT 3
TOTAL:	LOBELIA SB 15
ESSO:	MARCOL 82

L. If the machine is not equipped with an automatic lubricator, perform the following once a month.

- * Disconnect machine from the air supply.
- * Open the lubrication cap and drop a small quantity of oil (2-3 cc) (Fig.30). Use suggested oils listed above.
- * Close the oil cap and tighten firmly.
- * Connect the machine to the air supply and operate both the turntable clamping and bead breaker several times.

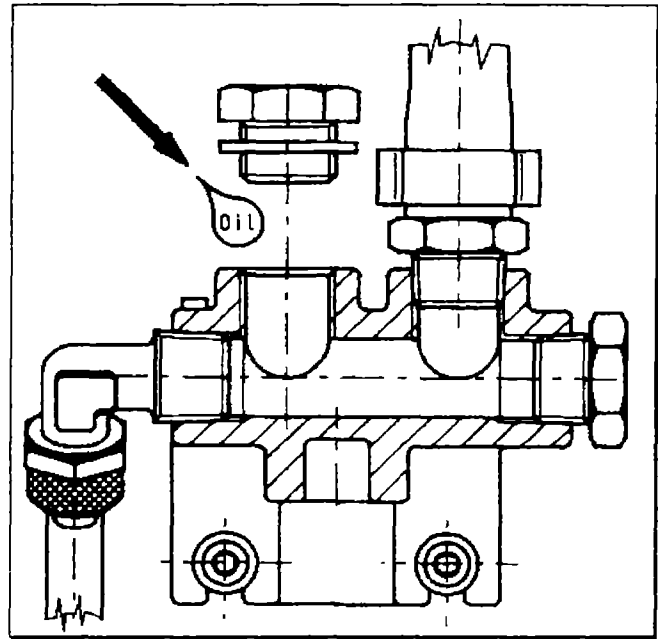


Fig.30

K. Drain water daily from the tank (Fig.31).

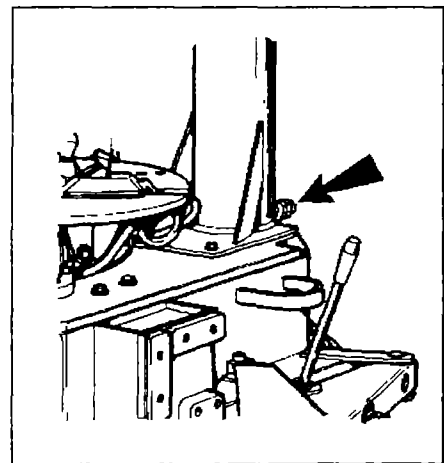


Fig.31

ACCU 4402

Catalogo ricambi

Spare parts

Pieces detachées

Ersatzteile

Repuestos

- * All'ordine specificare: tipo macchina e matricola codice e quantità del particolare.
- * *On order specify: type of machine and serial number item code and quantity.*
- * A la commande: bien préciser le type de la machine, le n de serie, la référence de pièce, la quantité.
- * *Bei Auftragserteilung anzugeben: Maschinentype, Seriennummer, Artikel-Code, Menge.*
- * En cada pedido hay que especificar : el tipo de máquina y su número de matrícula, el número de código de la pieza requerida y su cantidad.

413

1

2

3

4

5

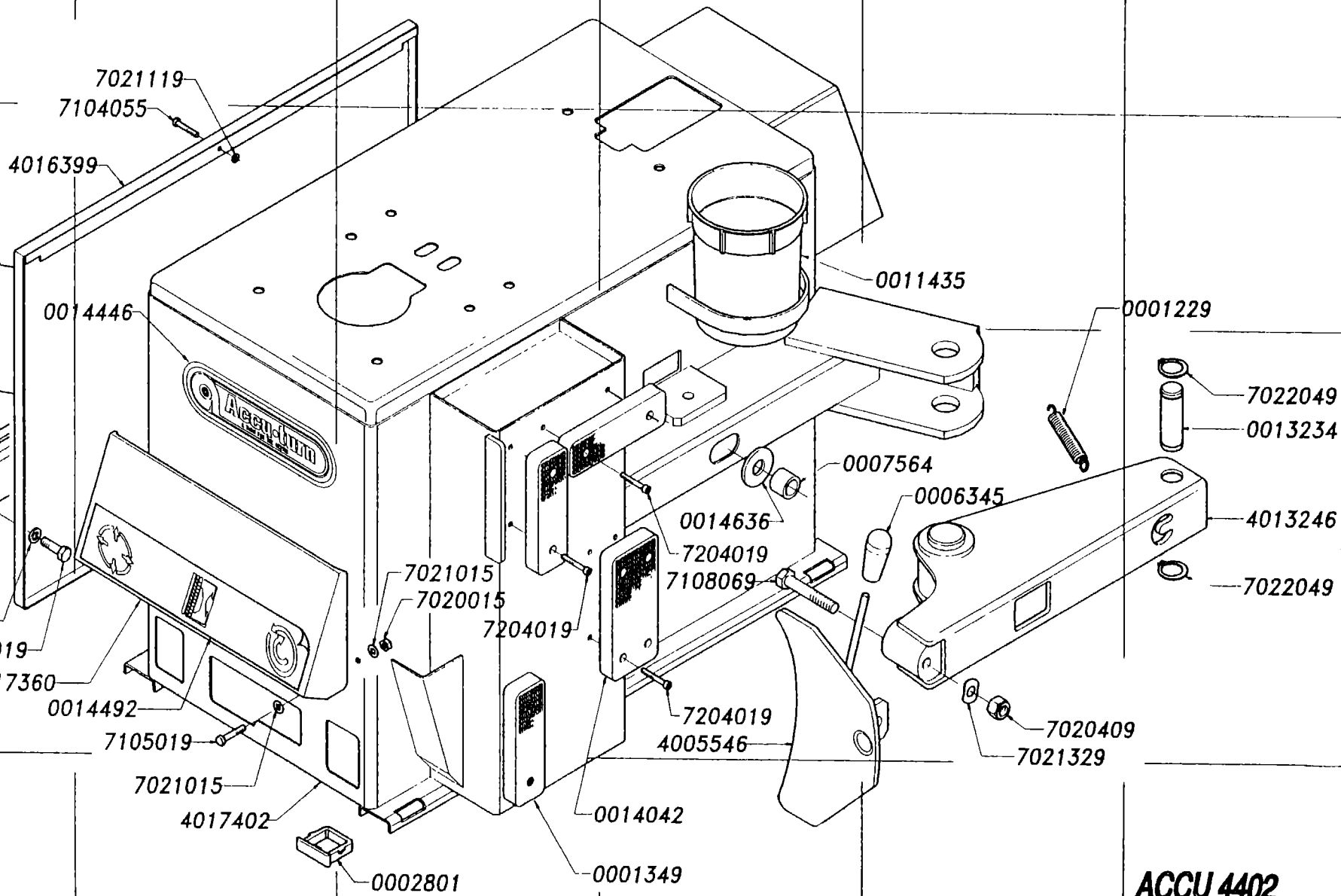
A

B

C

D

F



ACCU 4402

814

1

2

3

4

5

A

- 7205059
- 7021015
- 0017669

0017746

0012372

B

7020111

7020341

7023079

7021252

0009585

4016267

0001287

7021242

7020521

0015151

0006345

4011052

7023229

C

0005963

0008157

7706429

0011065

4011066

0011064

7040080

0006200

7106069

E

4019219

0014514

0009608

0005803

4019201

0016256

7021242

0009607



4022926

0023489

0003446

0015927

0019155

0015656

0015657

0003446

0019819

0015658

0013157

0013155

0010618

0001384

4014529

0014466

ACCU 44
ACCU 44

369.1

1

2

3

4

5

A

B

C

D

E

7109209

0010970

0010940

7706199

4013217

0016481

0016482

4016353

0012292

0014142

7021292

0009837

7106269

7020279

0007394

4012175

0001384

7205125

0007373

0007394

7020015

0001457

7020279

7021039

0013097

0004139

0001923

0003446

4012647

0017712

0013096

0004136

0001684

0001683

0007372

0004136

0013015

7022339

0007406

0001928

0005810

0013148

0001700

0013161

0013053

0015617

4013171

4013318

4015870

0007367

0001368

0007395

0012174

0007396

0007394

0007372

7020239

7021072

0007394

0001384

0007366

0004136

0007396

4013151

0007373

0011295

0016008

7020279

18" - GT

398

1

2

3

4

5

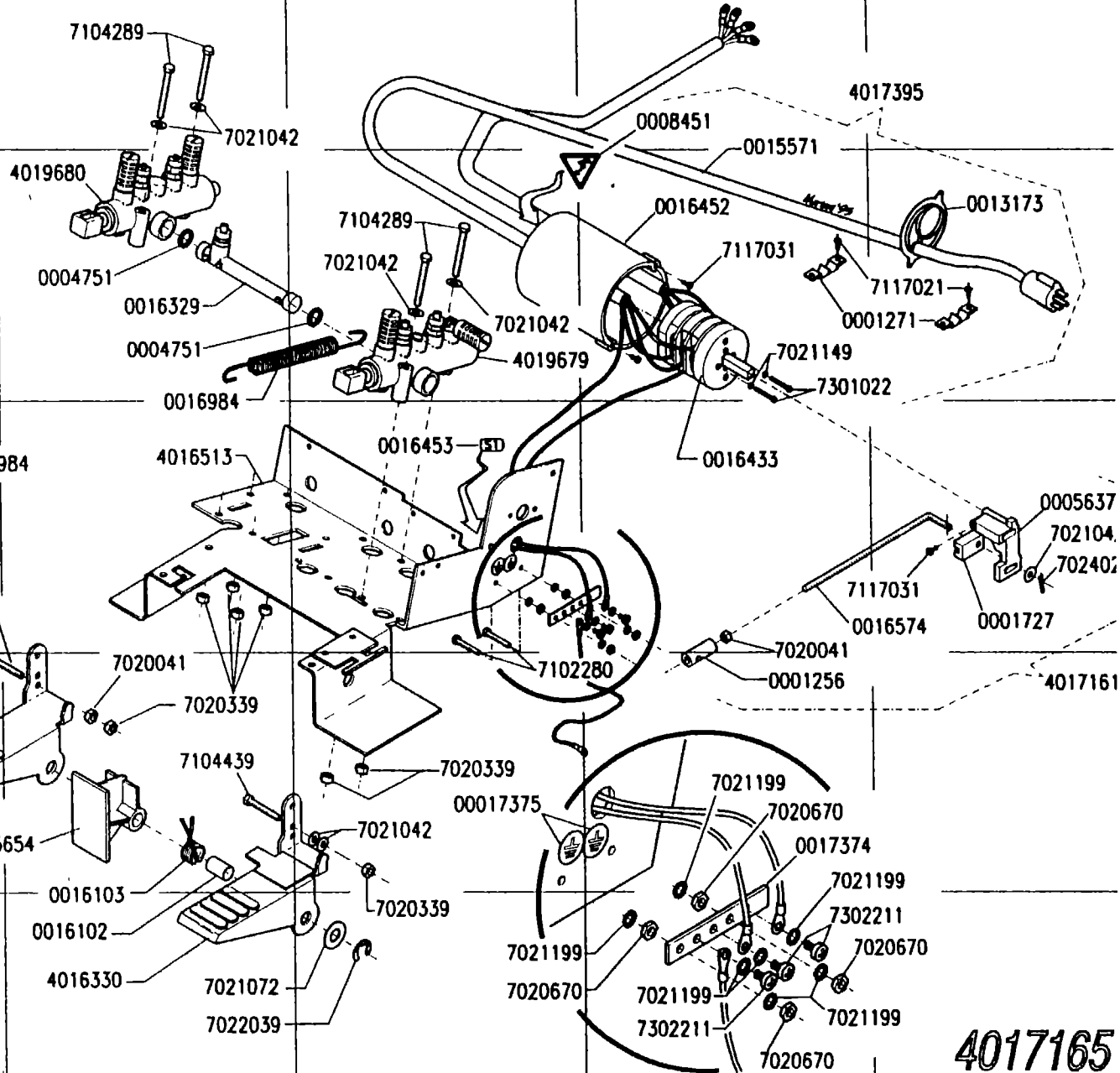
A

B

C

D

E



4017165

11/5

819

1

2

3

4

5

6

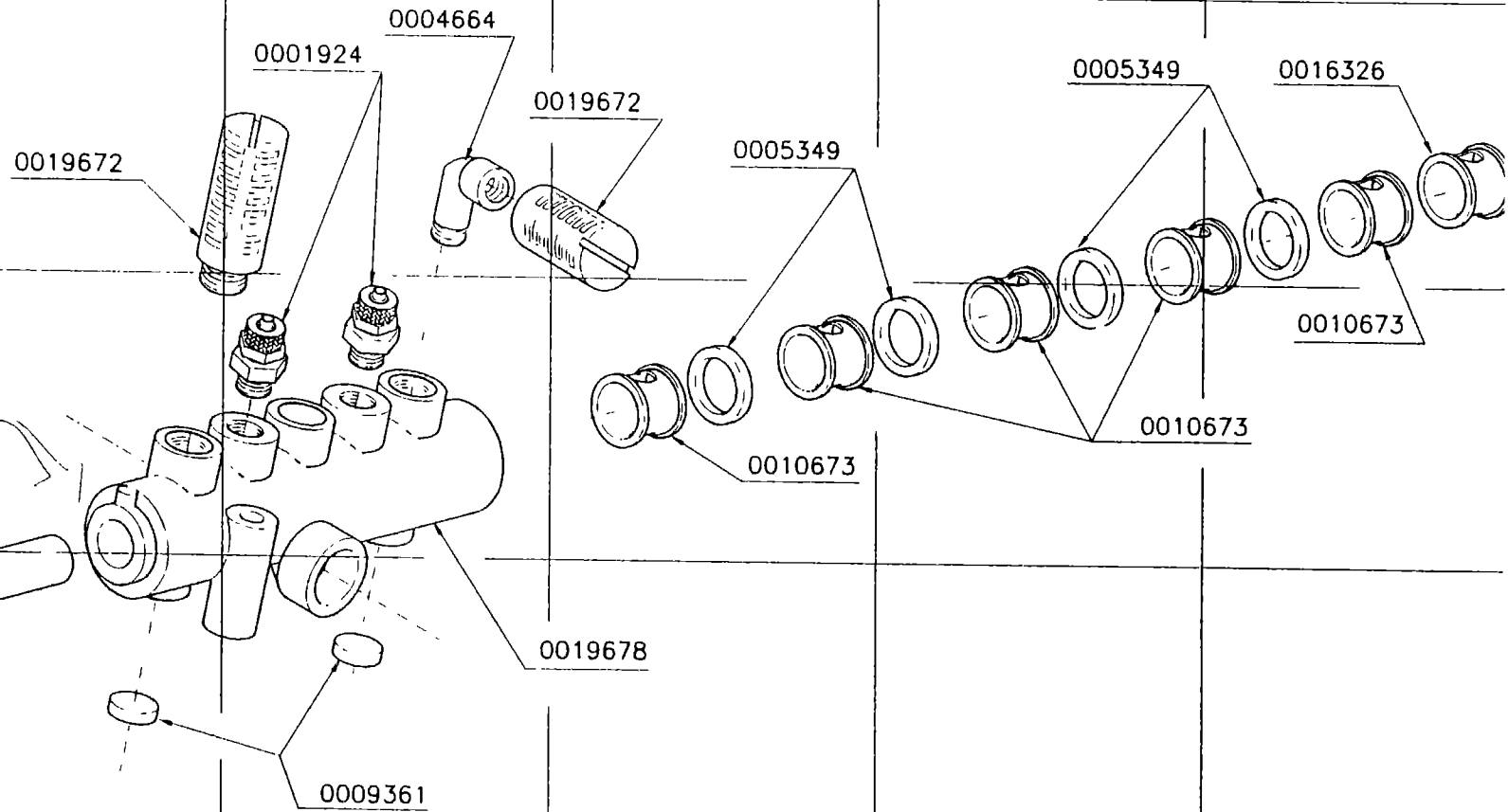
A

B

C

D

E



4019679

820

1

2

3

4

5

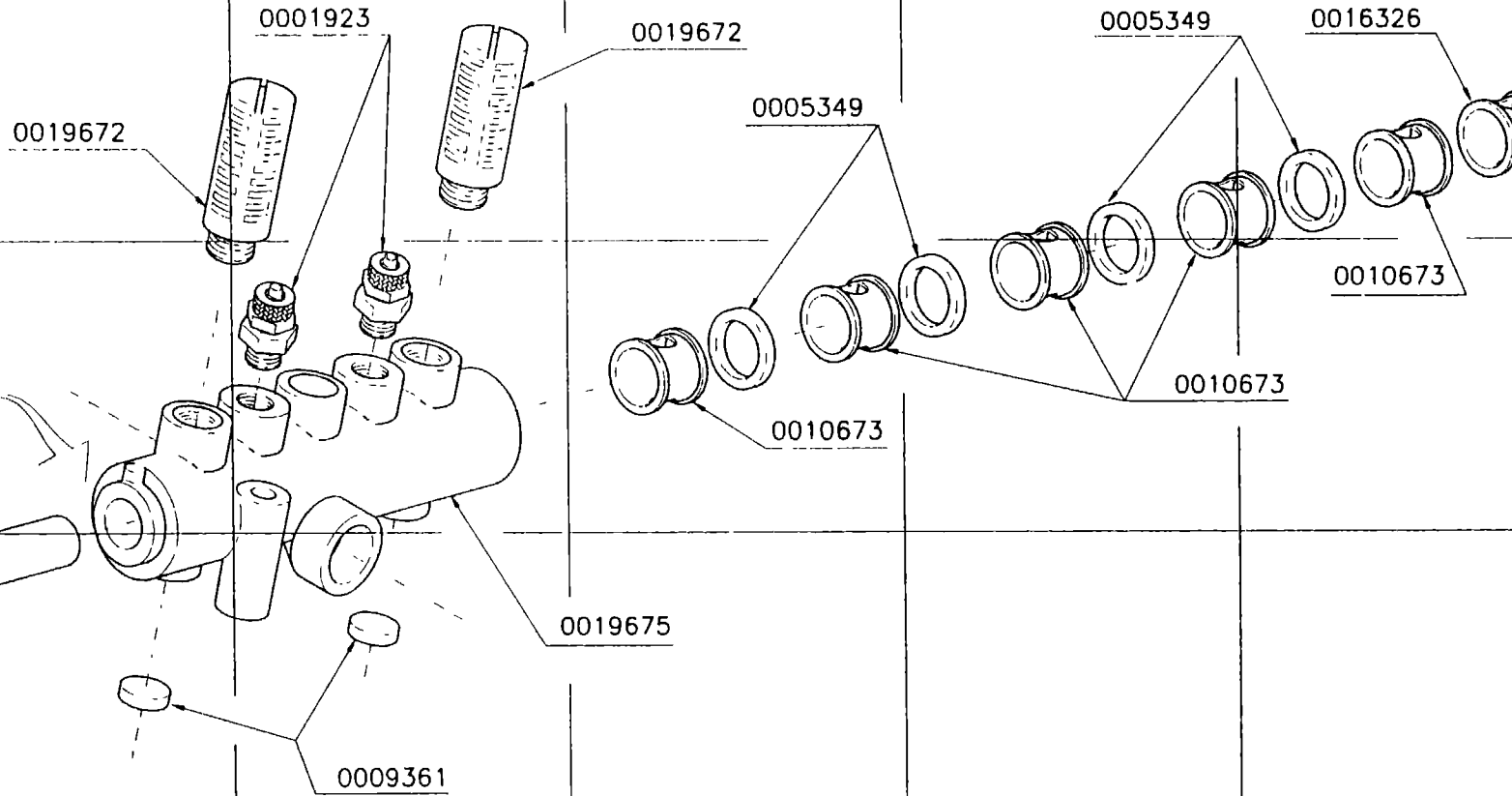
A

B

C

D

E



401968

816

1

2

3

4

5

A

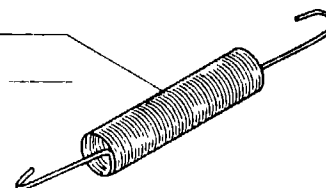
B

C

D

F

0002488



4015652

0002486

7023059

0001255

7104189

7104159

0005643

7020111

7021119

4019233

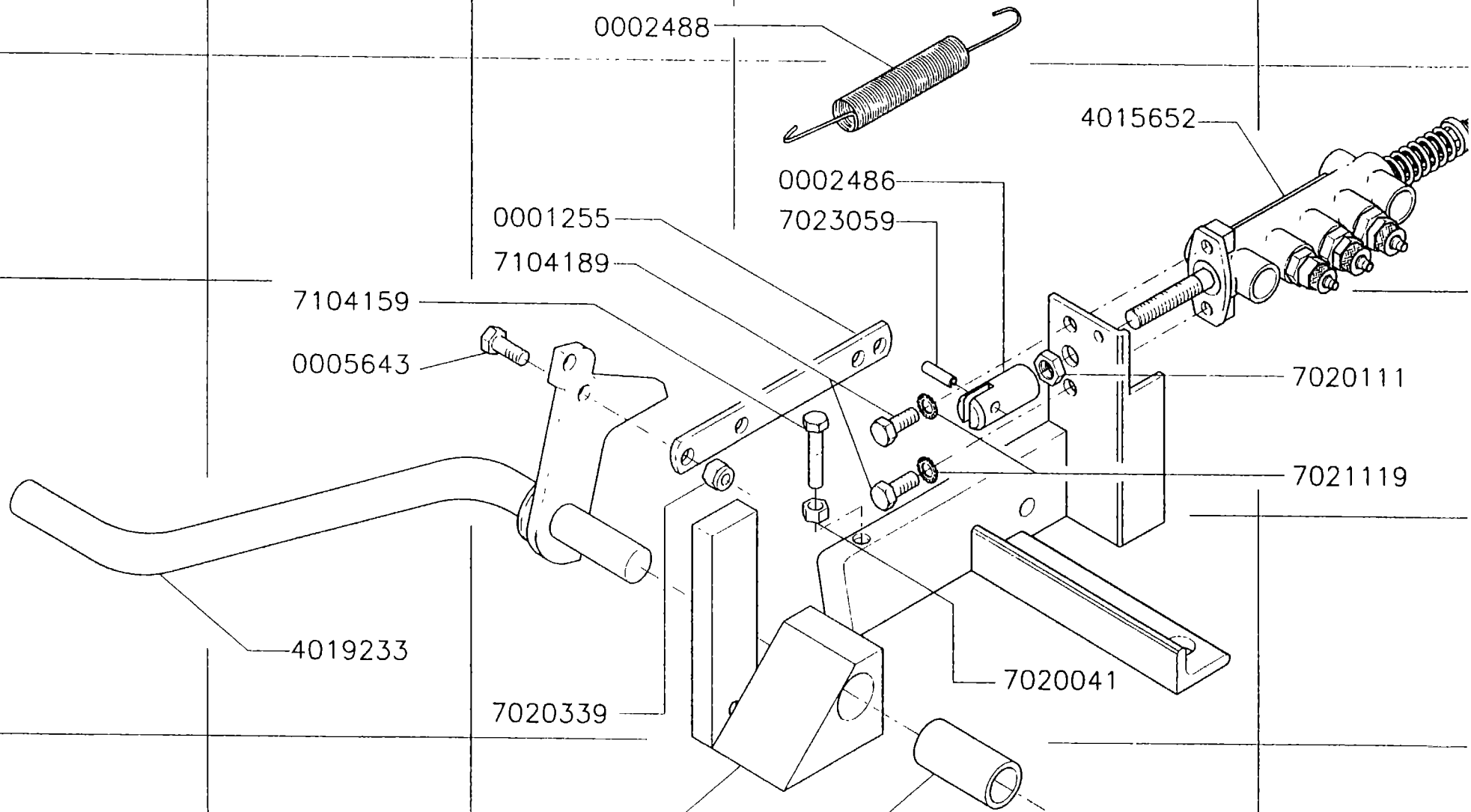
7020339

7020041

4019223

0023628

401923



357

1

2

3

4

5


A

B

C

D

E

GS srl-ITALY-
TYPE:4015652
MAX:12BAR-170PS


0016334

GS srl-ITALY-
TYPE:4015652
MAX:12BAR-170PS


0009353

0001402

0008752

0013010

7020479

7021082

0010241

0001775

7021082

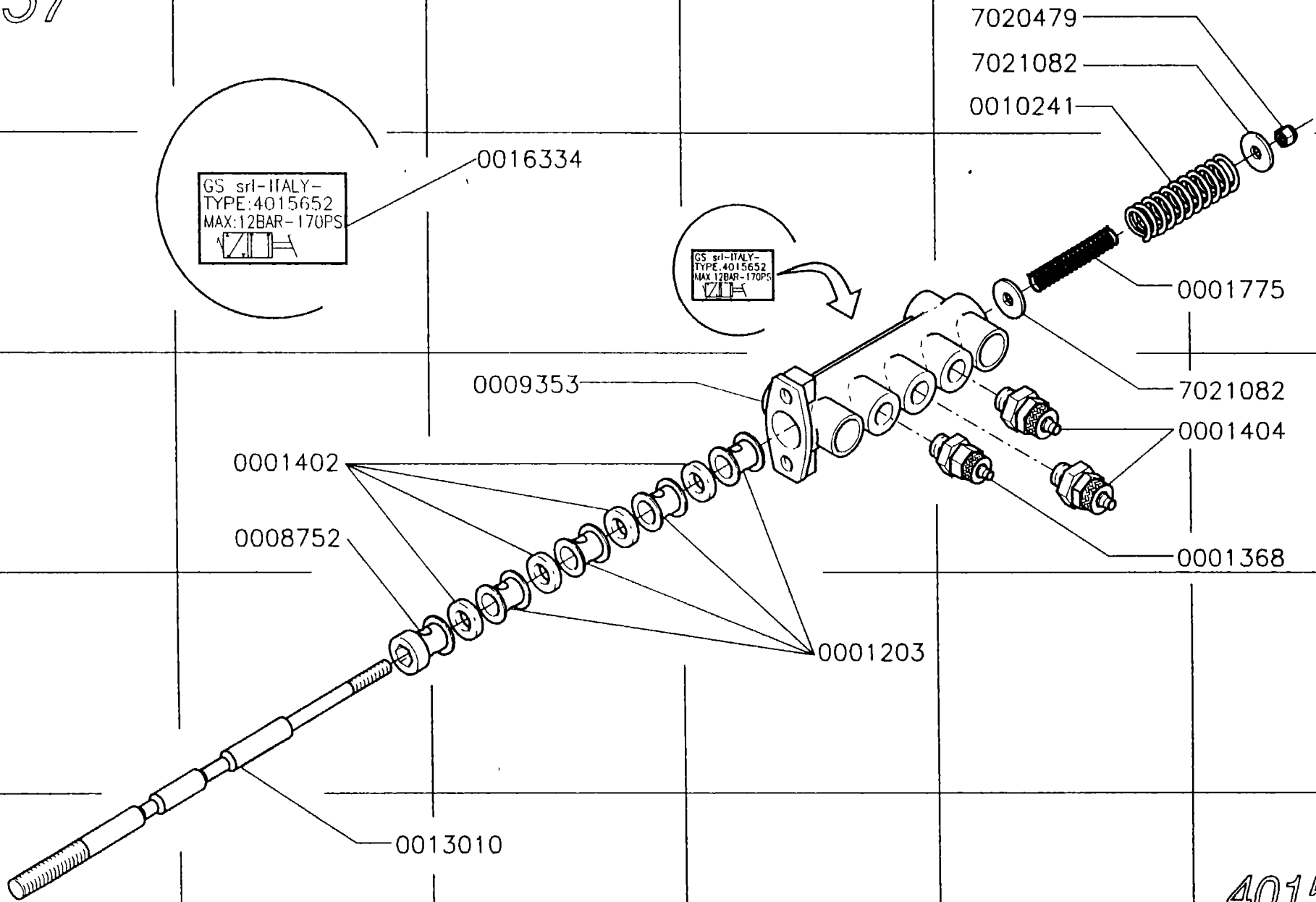
0001404

0001368

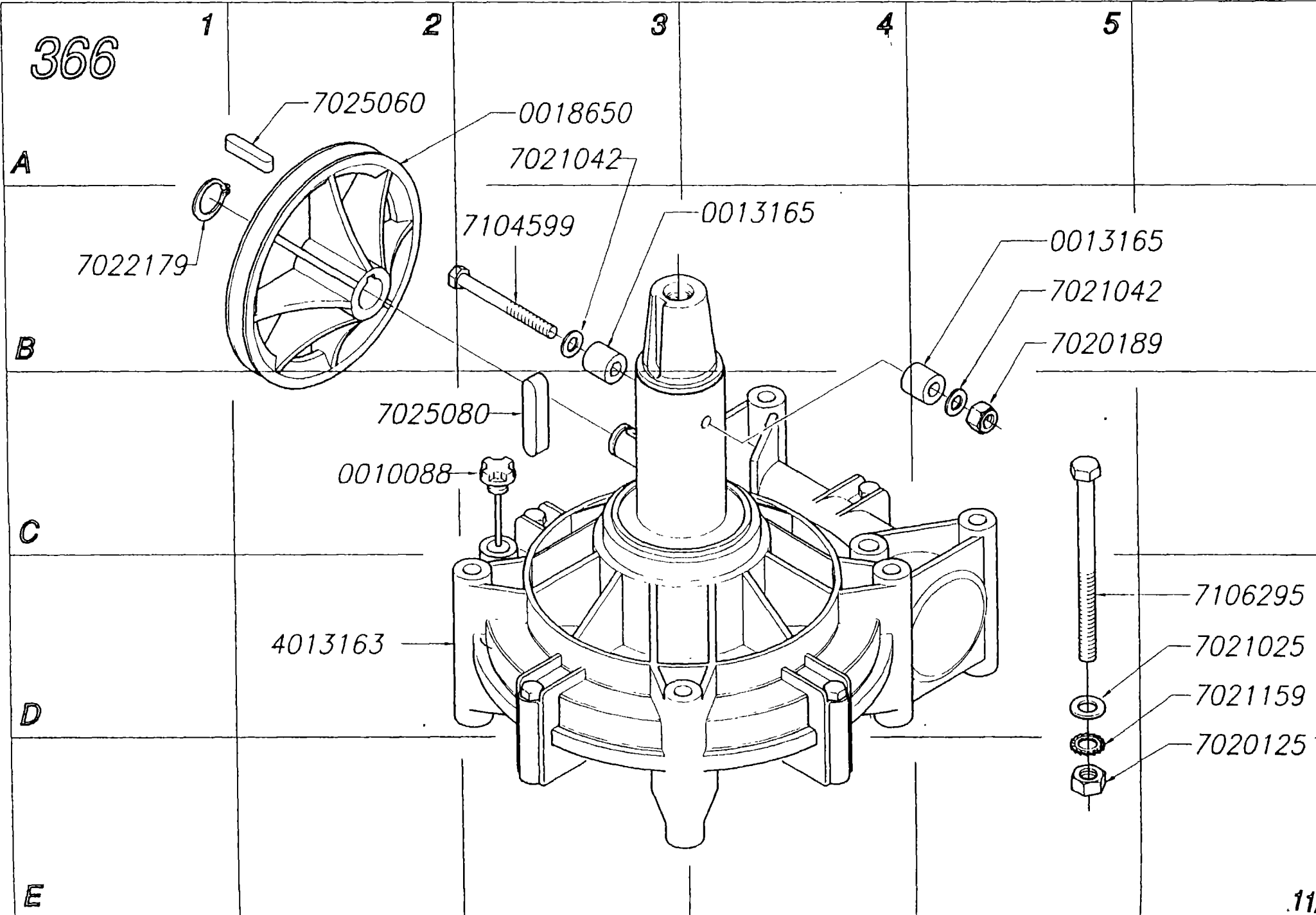
0001203

4015652

08/



366



415

1

2

3

4

5

A

B

C

D

E

7704239

0001890

0014548

7021039

7021015

7020015

1014451

7704529

7020039

7021102

0010491

7021102

7020011

7021015

7105109

7020602

4014538

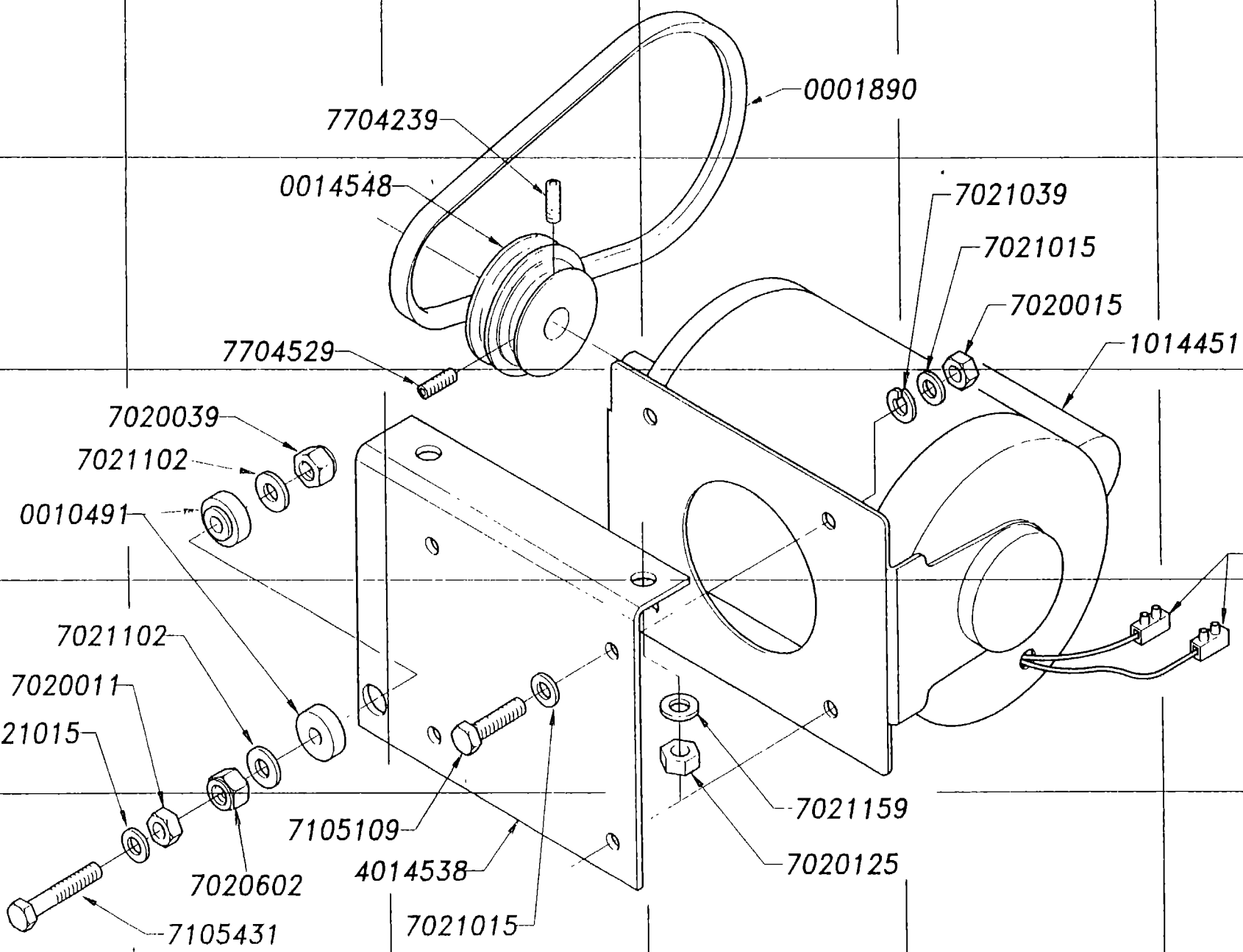
7105431

7021015

7021159

7020125

0001951



822

1

2

3

4

5

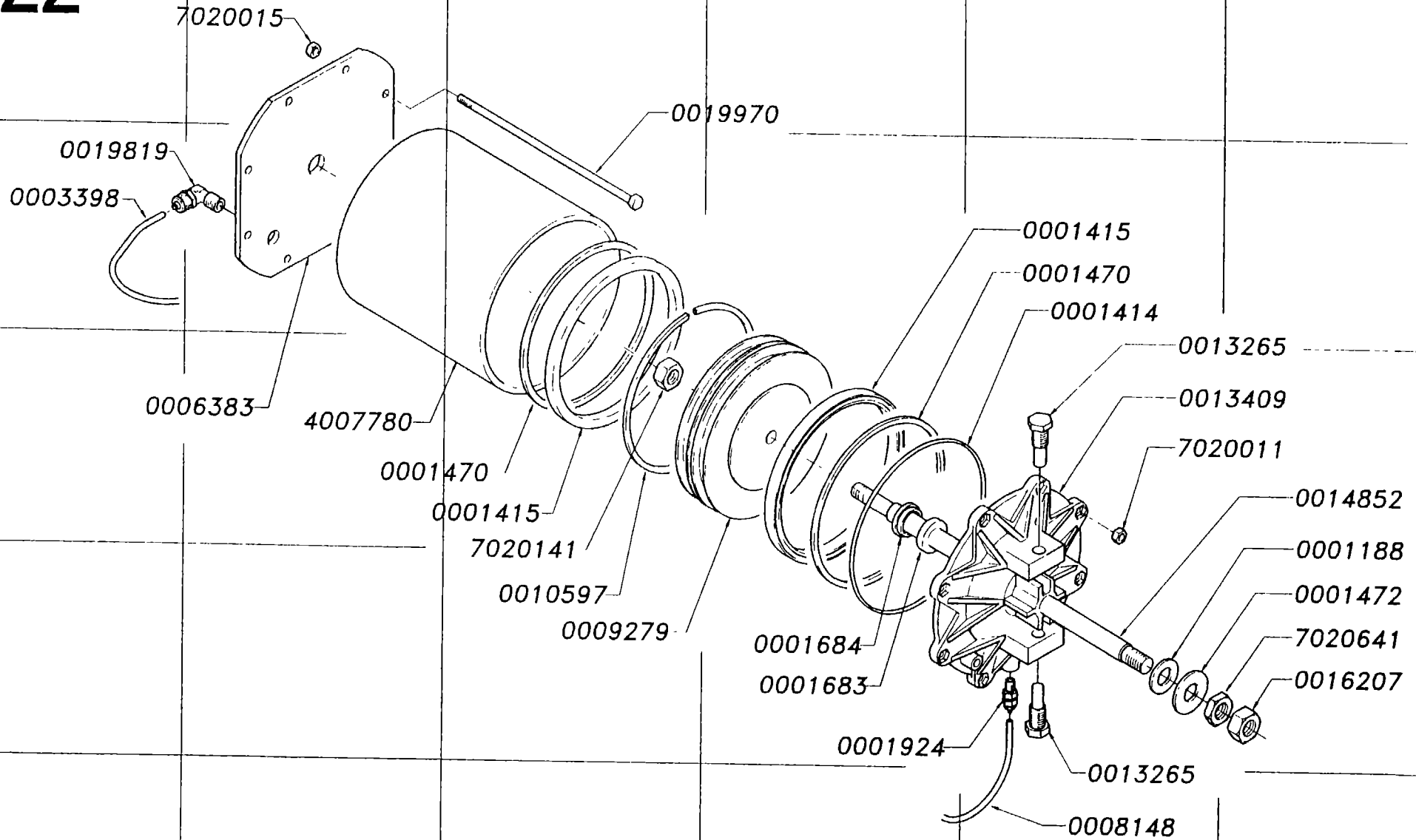
A

B

C

D

E



401489

422

1

2

3

4

5

A

B

C

D

E

4016060

0014523

0015865

0003429

0019222

0012183

0019181

0002610

0001535

0011390

7021252

7105025

0001927

7021012

7022329

0016057

0011392

0016069

7205099

0010492

0001613

7020015

0019551

0002610

0001535

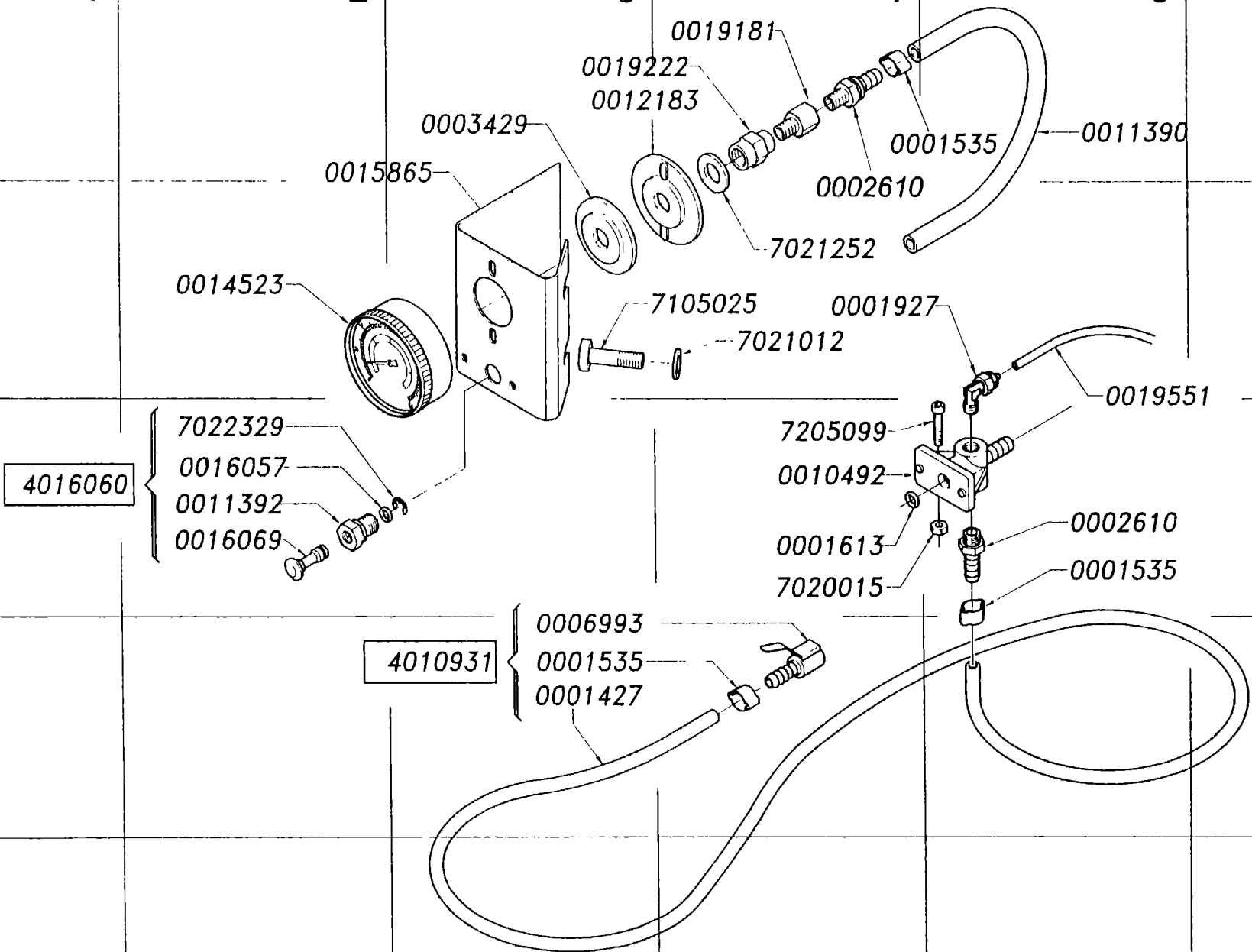
4010931

0006993

0001535

0001427

4019219



428

1

2

3

4

5

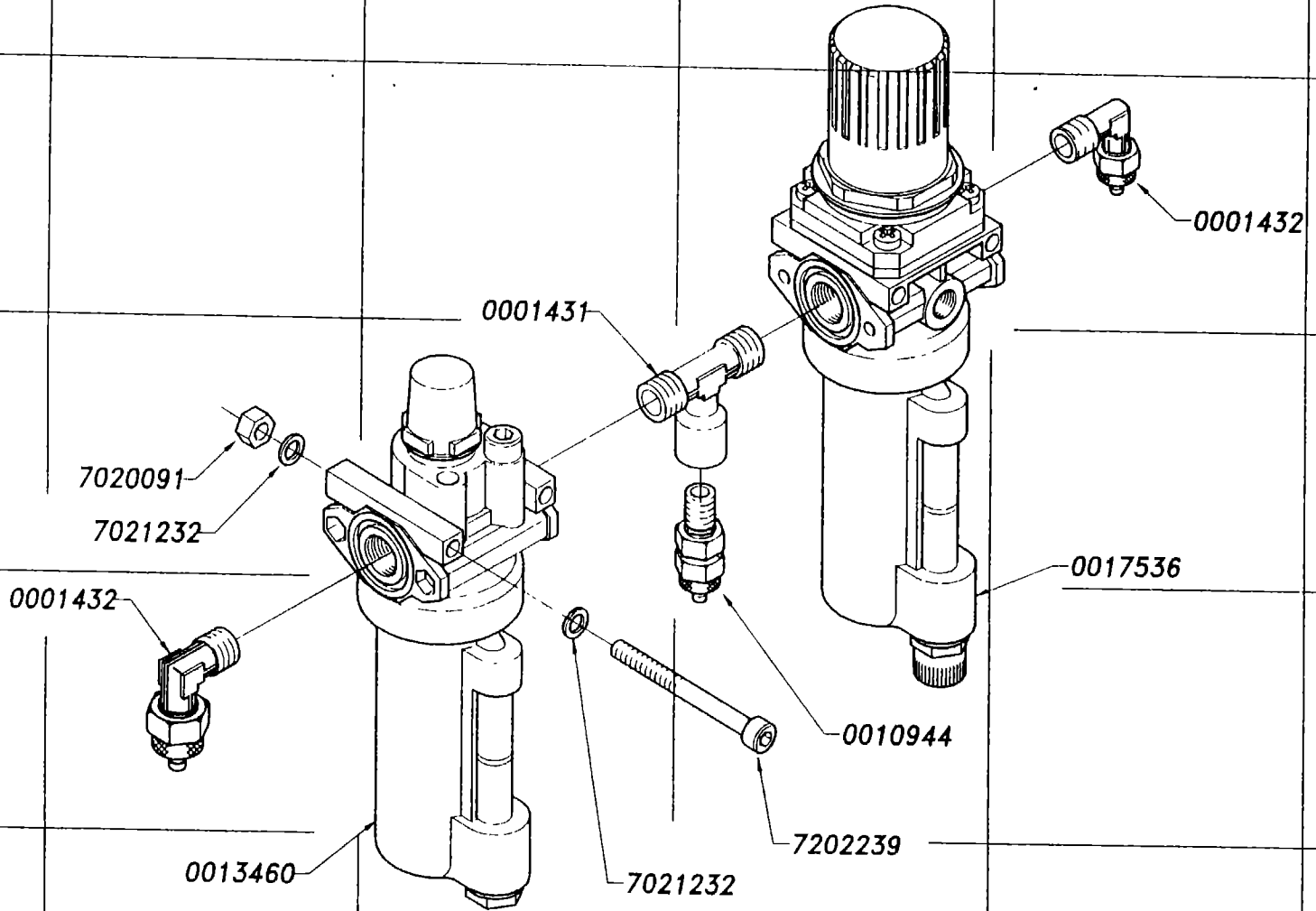
A

B

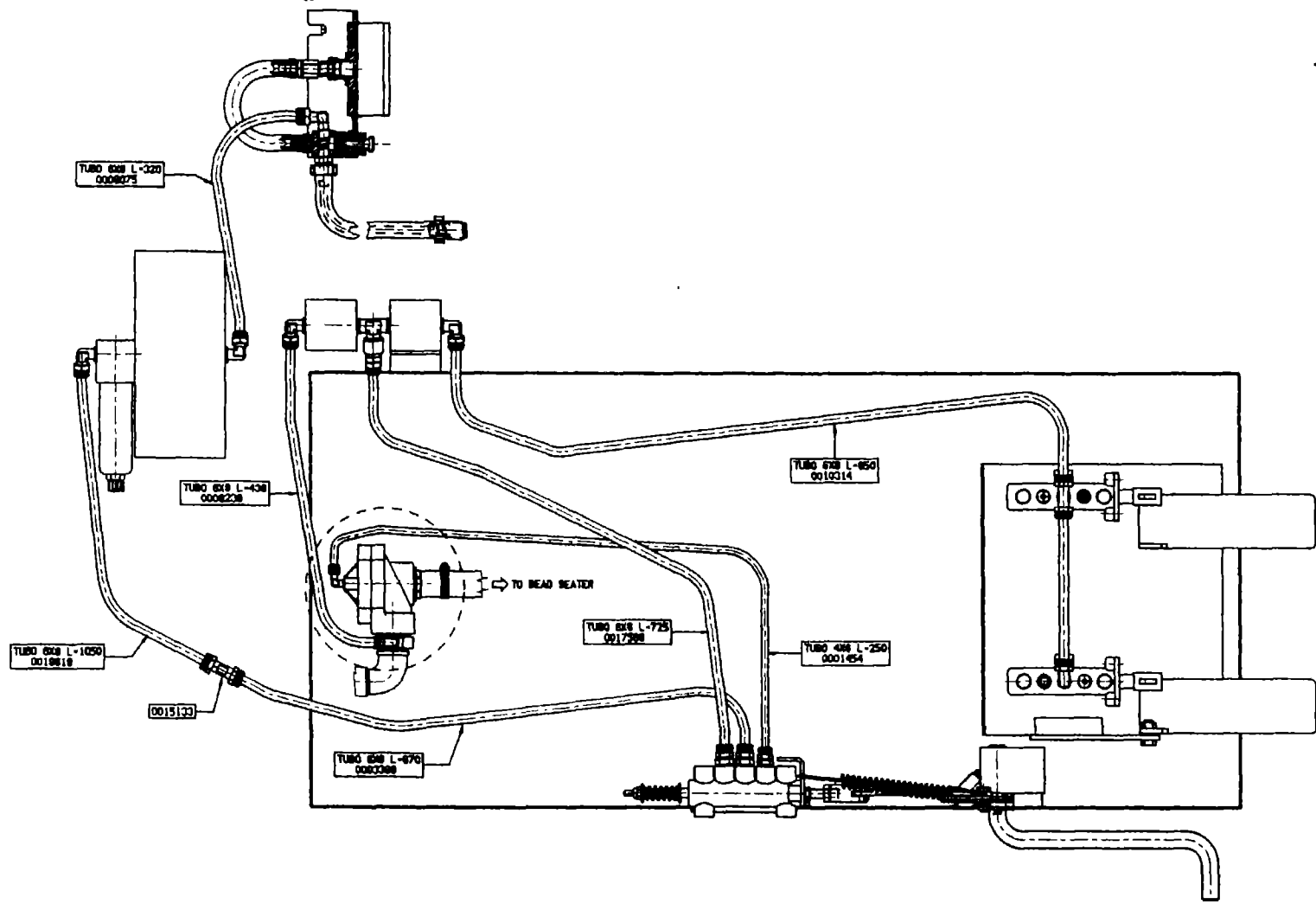
C


D

E



4019671



MATERIALE	STATO MATERIALE	DIMENSIONI		TRATTAMENTI	HRC HB Sh
TOLLERANZE QUOTE LIBERE J _s 14- J _s 14- 4 : 15	SMUSSI E RAGGI NON QUOTATI: 0.5 mm	PROGETTISTA	DISEGNATORE B.G.	DATA 13-10-95	0019248 SOSTITUISCE IL N. DEL 12-C
ORIGINE:		VISTO DIR. TECNICO.		SCALA /	SOSTITUITO DAL N.
	FAMIGLIA 824	DENOMINAZIONE			DIS. N.
	PROGETTO 4402	SCHEMA GONFIATORE ACCU 4402 INFLATOR DIAGRAM FOR ACCU 4402			0010000