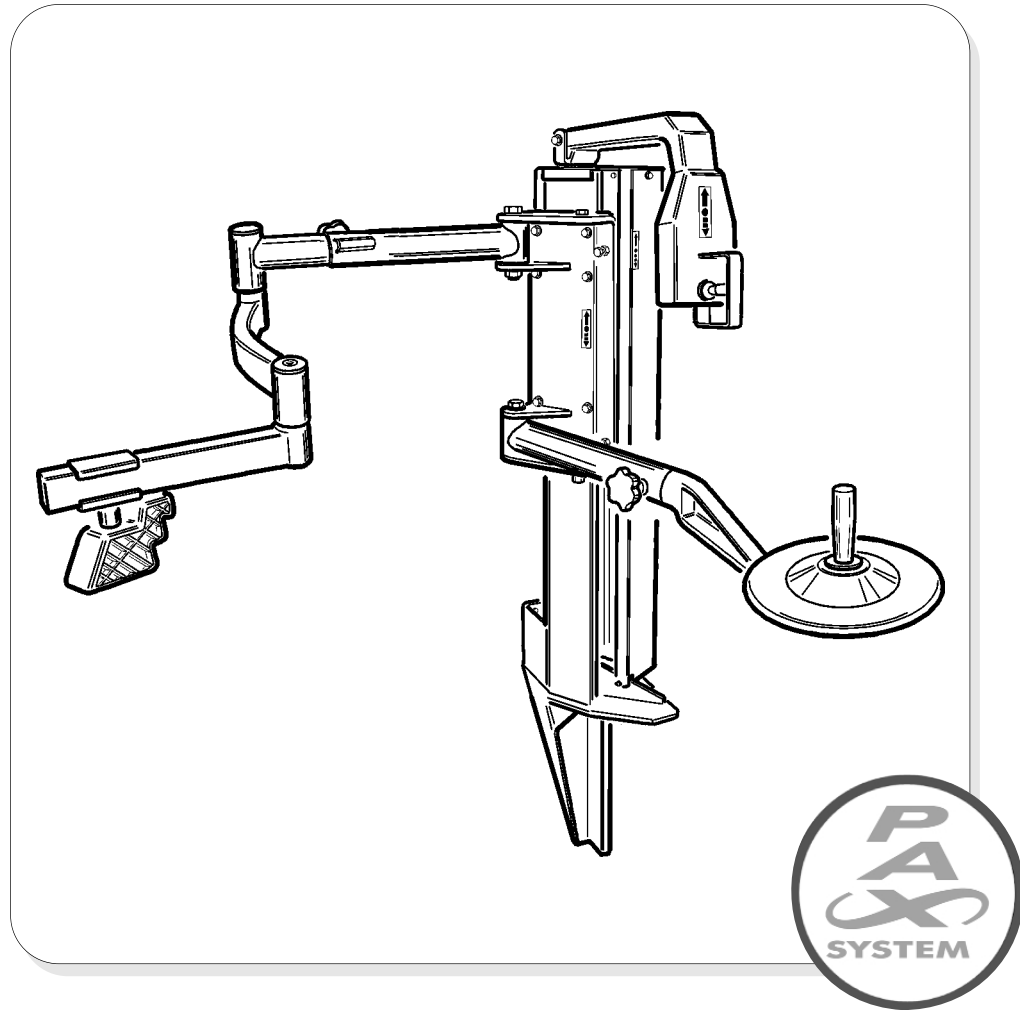


COATS PAX SYSTEM 9024 E-PAX & 9024E PAX Adapter



Parts Identification

READ these instructions before placing unit in service. KEEP these and other materials delivered with the unit in a binder near the machine for ease of reference by supervisors and operators.

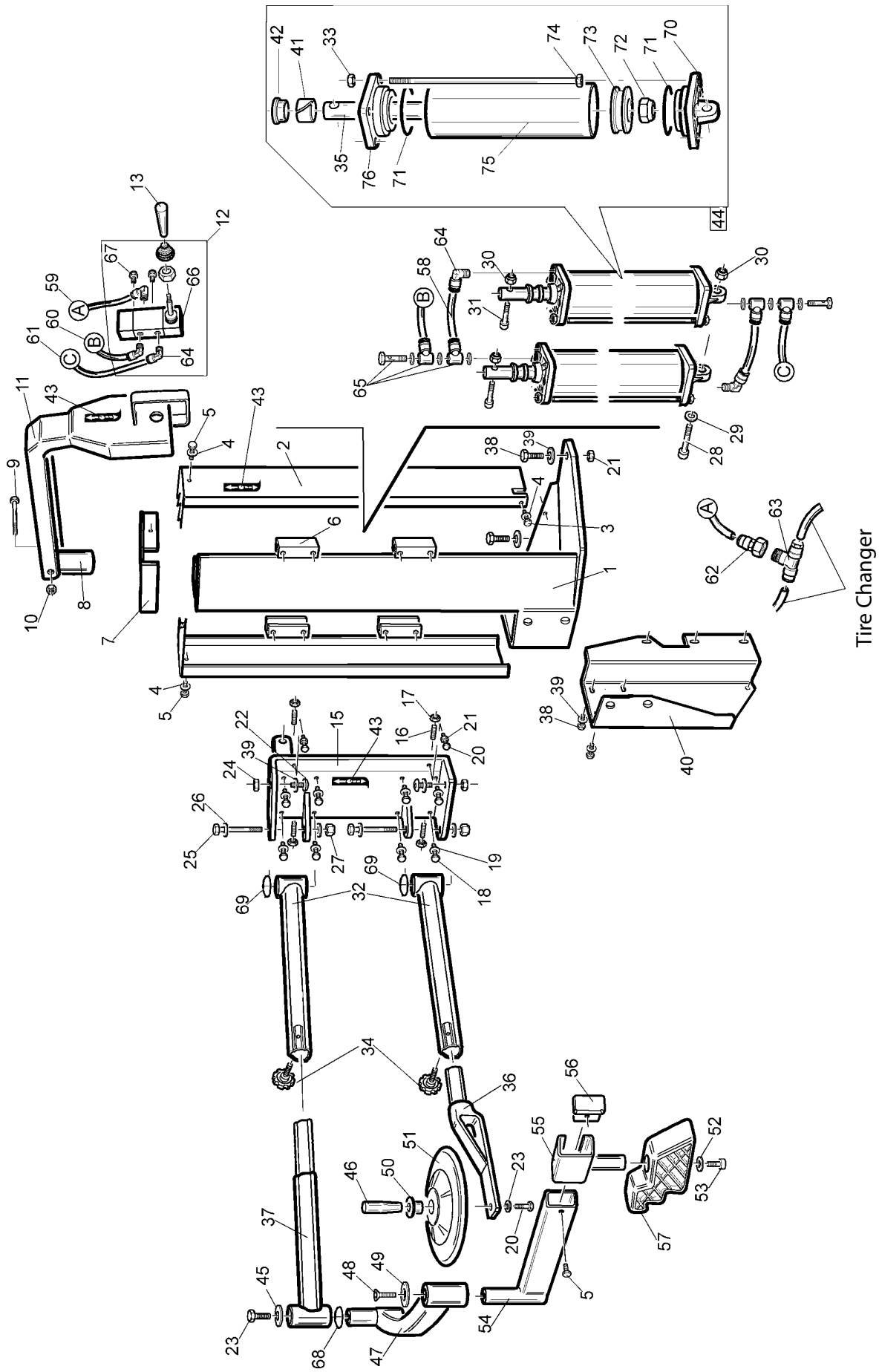
HENNESSY INDUSTRIES, INC.

1601 J. P. Hennessy Drive, LaVergne, TN USA 37086-3565 615/641-7533 800/688-6359

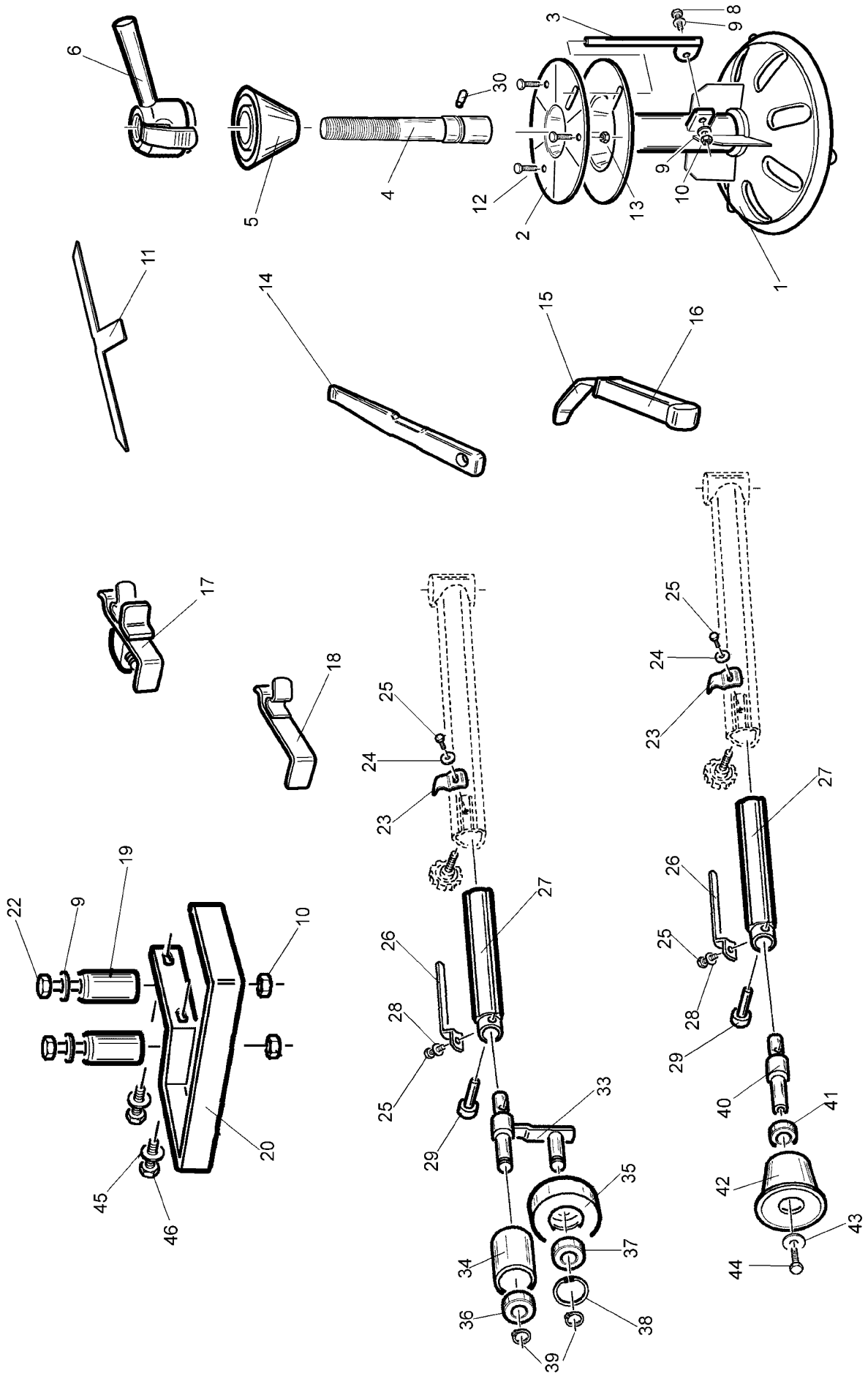
HENNESSY INDUSTRIES INC. Manufacturer of AMMCO®, COATS® and BADA® Automotive Service Equipment and Tools.

Manual Part No.: 8184627 00

Revision: 11/04



ITEM	PART NO.	DESCRIPTION	ITEM	PART NO.	DESCRIPTION	ITEM	PART NO.	DESCRIPTION
1	872113590	Complete Column	31	874399955	Screw 12x40	61	873012445	Hose 6x4 L=1800
2	876613569	Column Side Cover	32	876613560	Arm 1	62	874198172	Union 1/8"
3	874399892	Screw 6x20	33	874397678	Flanged Nut M8	63	874198778	Quick Union 1/8"
4	874399998	Washer 6 (6,4x12x1,6)	34	874296113	Knob D.50 M12x25	64	874198618	Union 1/8"
5	874398723	Screw 6x12	35	873012715	Cylinder Rod L=473	65	872499669	Double Union 1/8"-6
6	873012774	Slide	36	872113596	Bead Breaking Disk Arm	66	874198285	5-Way Valve
7	872113566	Column Upper Cover	37	876613593	Arm Extension	67	874199610	Silencer 1/8"
8	872113627	Arm Pivot Pin	38	874399228	Screw 10x25	68	874297666	O-ring D.34, 60x2, 62
9	874397786	Screw 8x70	39	874399378	Washer D.10 (10x5x21x2)	69	874296482	O-ring D.15, 88x2, 62
10	874399900	Self-Locking Nut M8	40	876613405	Support	70	873002293	Flange
11	876613601	Arm	41	874298823	Nylon Guide	71	874298822	O-ring D.68, 26x3, 53
12	872006996	Valve	42	873199601	Scraper	72	874399865	Self-Locking Nut M12
13	873010284	Knob D.14x45 M5	43	873008944	Decal	73	874198856	Piston D.75
14	874399946	Screw 8x16	44	872012714	Cylinder Unit	74	873008860	Bolt M8x1, 25x431
15	876613570	Carriage	45	873002311	Washer D.10x45x4	75	873008858	Cylinder Liner L=402
16	874398214	Screw 8x16	46	872012683	Handle+Screw	76	873002294	Flange
17	874399976	Nut M8	47	876613004	Arm			
18	874399829	Washer 8 (8,4x16x1,5)	48	874399120	Screw 10x20			
19	874396365	Screw M8x14 8.8	49	873009088	Washer D.10x45x4			
20	874399786	Screw 10x30	50	873006862	Disk Pin			
21	874399969	Nut M10	51	873006886	Bead Breaking Disk			
22	874396635	Screw 10x20	52	874399863	Washer 8 (9x24x2)			
23	874399966	Screw 10x20	53	874399298	Screw 8x16			
24	874397401	Flanged Nut M10	54	872108983	Arm			
25	874396312	Screw 16x110	55	872113210	Arm Sliding Block			
26	874399828	Washer 16 (17x30x3)	56	873013112	Arm End Part			
27	874399963	Self-Locking Nut M16	57	873008404	Bead Pressing Tool			
28	874397375	Screw 12x140	58	873002479	Hose 6x4 L=80			
29	874399981	Washer 12 (13x24x2, 5)	59	873012447	Hose 6x4 L=2700			
30	874399865	Self-Locking Nut M12	60	873000218	Hose 6x4 L=1200			



ITEM	PART NO.	DESCRIPTION	ITEM	PART NO.	DESCRIPTION
1	872113391	PAX Riser	31	872012050	Tool Unit
2	872113633	Riser Cushion	32	872013642	Bead Breaking Roll
3	872113637	Entrainer	33	872112496	Ø25 Rollers Support
4	873013634	Removable Center Shaft	34	873012497	Roller
5	873011136	Centering Cone	35	873012498	PVC Disk
6	872011869	Quick Release Hub Nut	36	874297036	Bearing 20x32x7
8	874399935	Screw 8x25	37	874299815	Bearing 20x47x14
9	874399829	Washer 8 (8,4x16x1,5)	38	874299814	Seeger Ring D.47
10	874399900	Self-Locking Nut M8	39	874399475	Seeger Ring D.20
11	873012458	Plastic Protector	40	873013556	Roller Support Pin
12		Screw	41	874297036	Bearing 20x32x7
13		Self-Locking Nut	42	873013555	Bead Pressing Roller
14	873012051	PAX Bead Lift Tool	43	874399863	Washer 8 (9x24x2)
15	873013554	Bead Flip Lever	44	874399305	Screw 8x12
16	874296090	PVC Handle	45	874399228	Screw 10x25
17	872012507	Spring Loaded Bead Lock Tool	46	874399378	Washer D.10 (10,5x21x2)
18	872112508	Plain Bead Lock Tool			
19	873013639	Arm Support			
20	876613591	Tools Shelf			
22	874397786	Screw 8x70			
23	873013557	Dimension Indicator			
24	874398848	Washer 6 (6,6x18x1,5)			
25	874398723	Screw 6x12			
26	873013558	Scale Bar			
27	872113387	Tool Support Arm			
28	874399998	Washer 6 (6,4x12x1,6)			
29	873012555	Pin D.10			
30	874398829	Parallel Pin 10x50			

