

COATS®

XR 1800

Ride Management System



Parts Identification

READ these instructions before placing unit in service KEEP these and other materials delivered with the unit in a binder near the machine for ease of reference by supervisors and operators.

HENNESSY INDUSTRIES, INC.

1601 J. P. Hennessy Drive, LaVergne, TN USA 37086-3565 615/641-7533 800/688-6359

HENNESSY INDUSTRIES INC. Manufacturer of AMMCO®, COATS® and BADA® Automotive Service Equipment and Tools.

Manual Part No.: 8113553 00

Revision: 10/02

Parts Identification

Parts Identification

The following pages include parts breakdowns with exploded view illustrations to help with ordering replacement or spare kits. Assemblies are noted where it is recommended that individual parts not be ordered separately. These parts are available only as assemblies because some parts are staked, pinned, or press fitted, then drilled, machined, or bored. Close tolerances must be maintained in assembly. Every effort is made to supply accurate exploded views, however, due to interim changes in manufacturing operations, some units may not be exactly as illustrated.

Parts Identification

Item Qty. Description

P/N 80180001 Brake Lever Assembly

15 1 Brake Lever Assembly

P/N 80180102 Monitor Housing Kit

71 1 Monitor Housing
72 1 Monitor Support Bracket
91 2 Hex Cap 6M x 16 Screw
118 1 Touch Panel Assembly

P/N 80180103 Monitor Kit

48 1 Elastic Cord - Monitor
70 1 Monitor
72 1 Monitor Support Bracket
91 2 Hex Cap 6M x 16 Screw

P/N 80180104 Hood Switch Kit

64 1 Hood Switch Assembly
65 1 Hood Switch Washer

P/N 80180105 Width Sensor Kit

102 1 Sensor w/Cable & Screws

P/N 80180106 Radial Runout Sensor Kit

49 1 Extruded Aluminum Rail
102 1 Sensor w/Cable & Screws

P/N 80180107 Motor & Mtg Hardware Kit

59 4 6M Hex Nut
95 2 Screw Plate
104 1 Spindle Drive Motor w/Pulley
123 4 M6 Lock Washer
125 4 M6 Flat Washer

Item Qty. Description

P/N 80180108 Stub Shaft Kit

* 1 Serrated M10 Washer
93 1 SHC M10 x 160 Screw, Gr. 8.8
116 1 Threaded Shaft 40MM

P/N 80180109 Piezo Kit

17 1 Piezo Dynamic Assembly
18 1 Piezo Static Assembly
60 5 Jam M10-1.5 Hex Nut
83 1 Static Piezo Rod
84 1 Dynamic Piezo Rod
109 8 Spring Piezo Washer
122 2 Large M10 Flat Washer
144 6 Small 10M Washer

P/N 80180110 Brake Pad Kit

* 1 Brake Pad
* 1 Brake Pad Screw
* 1 Brake Pad Washer

P/N 80180111 Brake Kit Complete

57 1 Hair Pin Clip
58 1 Hair Pin Cotter
73 1 M8-1.25 Hex Nylock Nut
105 1 Brake Spring
117 1 Brake Tie Rod
120 7 Flat .360 ID x .932 OD x .080 Washer
126 1 M8 Flat Washer

P/N 80180112 Rotating Arm Kit

53 1 Gauge Arm
86 1 Rotating Pincer
89 1 SHC 6M x 16M Screw

P/N 80180113 Potentiometer Kit

30 1 Adhesive Back Cable Tie
55 1 Gauge Rod
100 1 Slide Bracket

P/N 80180114 Pulley Kit

79 1 Distance Pot. Pulley
82 1 Return Pulley
98 1 Self Locking Ring
99 2 M4 x 10 Set Screw
107 1 Distance Gauge Spring
111 1 Distance Gauge String

* Not Shown

Parts Identification

Item	Qty.	Part	Description	Item	Qty.	Part	Description
1	4	8301122	1/2-13 Hex Nylock Nut	76	2	8110818	Peg Bracket Weldment Assy.
3	1	8182380	1/2-13 X 1.50 SHCS	77	1	80180028	Diameter Potentiometer
4	3	8000745	1/4 Flat Washer	78	1	80180029	Distance Potentiometer
5	4	8109802	1/4-20 NC X 2.00 HHCS	80	1	8109945	Washer 1 1/2" Retainer
6	18	8181369	1/4-20 UNC	81	2	8143956	Circular Push-On Retaining Ring
7	2	902189	1/4-20 X .500 HHCS	85	1	8113264	Sonar Target Rod
8	4	8181984	1/4-20 X 1.00 HHCS	87	3	7110208	Rub Button Carriage
9	2	8301032	3/8" Flat Washer	88	4	8143844	1/4-20 Hex Washer Hd. Screw
10	2	8143044	3/8-16 Nut Tinnerman	99	2	80180024	Set Screw M4 X 10
11	2	8120325	5/16 X 1.00 Serrated	101	1	8113372	Sliding Tray Assembly
12	2	8110957	Accessory Peg Cover	103	3	8183638	Stand Off Spacer
13	1	8113360	Angle Sonar Target Rod	106	1	8308023	Compression Spring, Dim. Arm
14	1	8113272	Assembly Panel, PCB	108	1	8308062	Hood Spring, Extension
15	1	80180001	Brake Lever Assembly	109	8	80180057	Spring Washer
16	1	8113371	Front Cover Assembly	110	1	8180103	Standard Clevis Pin
17	1	80180051	Piezo Dynamic Assembly	112	1	80180019	Distance Gauge String Bracket
18	1	80180050	Piezo Static Assembly	113	1	8113336	Adapter Storage Swivel
19	1	80180084	Power Panel Assembly	115	1	8113358	Target W/C, Sonar Cal.
20	1	80180059	Balancer Spindle	119	1	8113337	Tree W/C, Sonar Cal.
23	2	8307014	Flanged Nylon Bearing	121	1	8109944	Hood Bar Washer
25	4	8111030	Black Hose	123	4	80180036	Lock Washer, M6
29	2	8308535	Stop Bushing	127	7	904379	Pl. Stl. Washer
33	1	8182044	Neoprene Cushion Clamp	128	2	904789	Plain Washer
*36	1	8180237	Caution 115v Decal	129	6	8301121	Plain Washer
*37	1	8113547	Caution/Patent Decal	130	2	903214	Flat Washer, Std, 1/2" S.A.E.
38	1	8113557	Switch Panel Assembly	131	1	8113531	Weight Tray Assembly
*39	1	8113541	Faceplate Arrow Decal	132	1	8112040	Wheel Hood Guard
40	1	80180086	Capacitor MF/400V	*134	1	8113569	Ground Location Decal
*41	1	8113419	Main 1800 Decal	*135	1	8113566	Infla/Release Valve Decal
42	1	8112120	Worm Hose Clamp	*136	1	8113568	On/Off Decal
*43	1	8113401	Sonar Target Decal	*137	1	8113567	Piezo Assy. Instr. Decal
*44	1	8111519	UL & CSA Decal	*138	1	811885	Plug Grounding Decal
*45	1	8111841	Warning, Explosion Decal	*139	1	8111840	Warning Decal
*46	1	8110241	Weight Position Decal	140	1	8113570	Warning Decal
47	1	80180068	Drive Belt	141	1	80180096	Hub Nut & Cup
49	1	80180092	Sensor Mtg. Rail Complete	142	1	80180097	No-Mar Ring
50	1	80180045	Encoder Assembly	143	4	8111542	8-32 x 5/8 Lg. Screw
51	1	8113342	Rubber End Cap	*	1	8410419	Doyfe Air Chuck
54	1	80180016	Gauge Bracket Comp.	*	1	8113370	2-way Valve Assy. w/Fittings
61	1	8107407	Hitch Pin Retainer	*	1	8105822	9/16 ID Hose Clamp
62	1	8112724	Hood Bar W/C	*	1	8101428	Worm Hose Clamp
63	1	8113296	Hood Pivot Sleeve	*	1	8000378	Straight Fitting
66	1	8111021	Caliper Storage Hook	*	1	8113417	0.25 ID x 120" Blk Rubber Hose
67	2	8110817	Control Pod Knob	*	1	8113416	0.25 ID x 8" Blk Rubber Hose
68	1	80180038	Main Power Switch w/ Cable	*	1	8000461	1/4" ID x 12" Black Hose
69	1	8309008	Hood Molding Stop	*	1	8120264	1/4" ID x 44" Black Hose
75	1	8113348	Brake Pedal	*	1	8183502	Bleed Valve Manifold

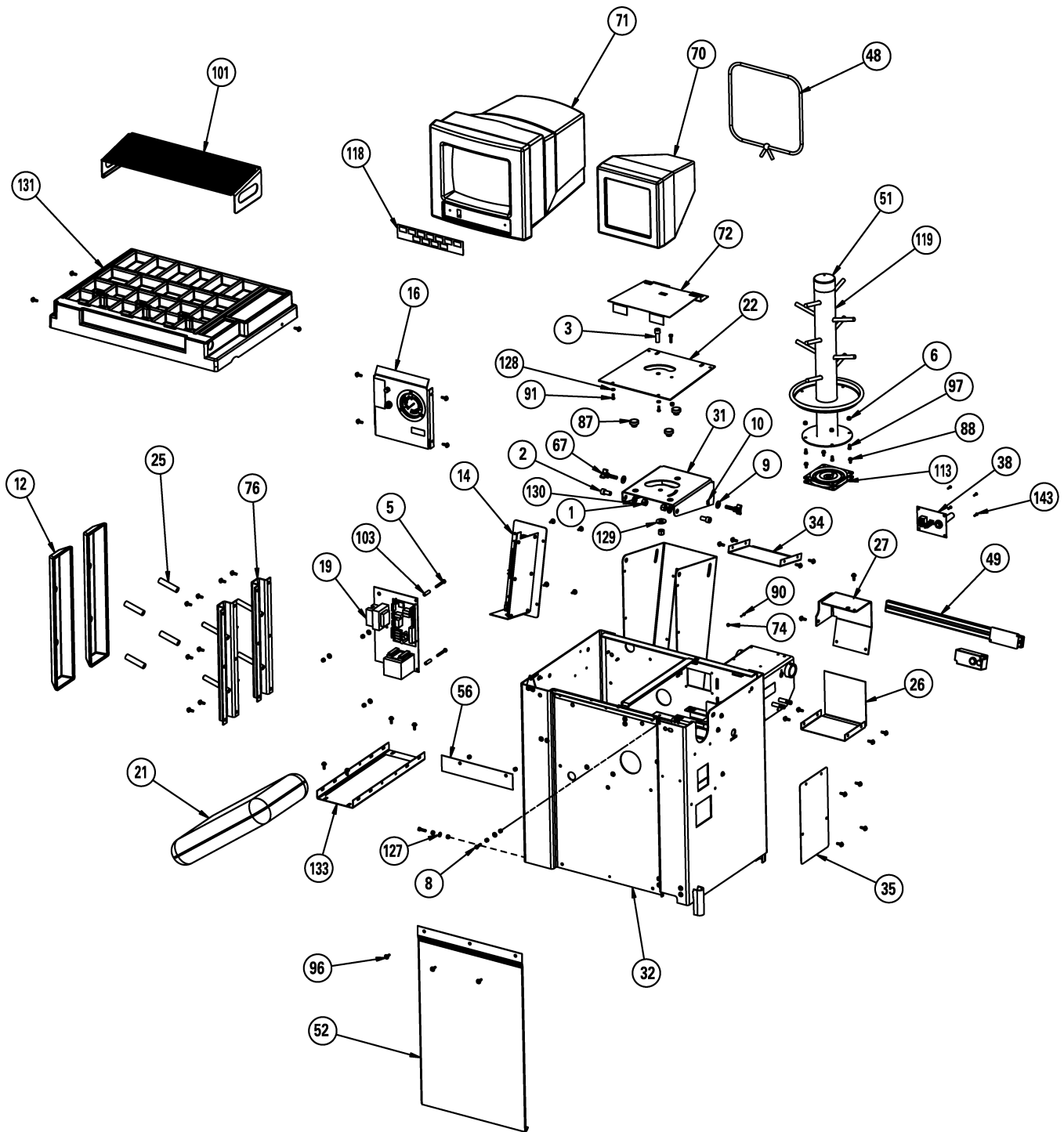
* Not Shown

Parts Identification

Item	Qty.	Part	Description	Item	Qty.	Part	Description
*	1	8113266	Monitor Tower Front	Field Purchase Parts			
*	3	8107983	Plastic Fastener	2	2	8113418	1/2-13 X 1.00 SHCS
*	1	8182047	3-way Push Button Valve	74	1	8301084	#8-32 Kep Nut
*	1	8005696	0.688 x 1.75 x 0.125 Thk.	90	1	8110560	8/32 x .75" Lg. Screw
*	1	80180016	Gauge Brkt Comp. w/Bushings	92	1	8182149	SHC 5/16-18 x 3/4 Screw
*	1	80180028	Diameter Potentiometer	94	1	80180020	String Bracket Screw
*	1	80180029	Distance Potentiometer	96	51	8106301	Hex Washer Head Screw
*	1	80180039	Main Power Cable	97	4	2189	Hex Cap 1/4-20 x 1/2 Screw
*	1	80180040	Main Cable Assembly	124	1	80180021	Lock Washer, String Bracket
*	1	80180041	Monitor Power Cable	Not Available			
*	1	80180043	Computer PCB	21	1	8301019	50 Lbs. Ballast
*	1	80180044	PC Power Cable	22	1	8113271	Monitor Base Plate
*	1	80180058	Piezo Pickup Cable w/Terminal Block	24	1	8113532	Belt Tightening Plate Assem.
*	1	80180083	Panel/Keyboard Conn. Cable	26	1	8113537	Bottom Cover, Hood Bracket
*	1	80180085	Sonar Power Board	27	1	8113299	Sonar Runout Bracket
*	1	80180086	Capacitor 60MF/400V	28	1	8113297	Width Sonar Bracket
*	1	80180088	Power Transformer	31	1	8113267	Channel Monitor Tilt
*	1	80180089	Control Transformer	32	1	8113232	Chassis - Weld Comp.
*	1	80180115	Hub Nut	34	1	8113536	Bottom Cover, Tower
				35	1	8113251	Assess Holes Cover
				52	1	8113261	Front Cover Plate
				56	1	8113534	Glide Plate
				*114	1	8113421	Serial Tag, 1800 Balancer
				133	1	8113256	Wire Tray

* Not Shown

Parts Identification



Parts Identification

