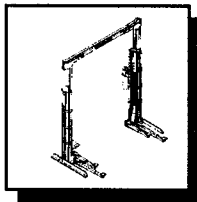




Lift Repair Catalog



LRC7235A

S V I International, Inc. - Lift Repair Parts

October 1998

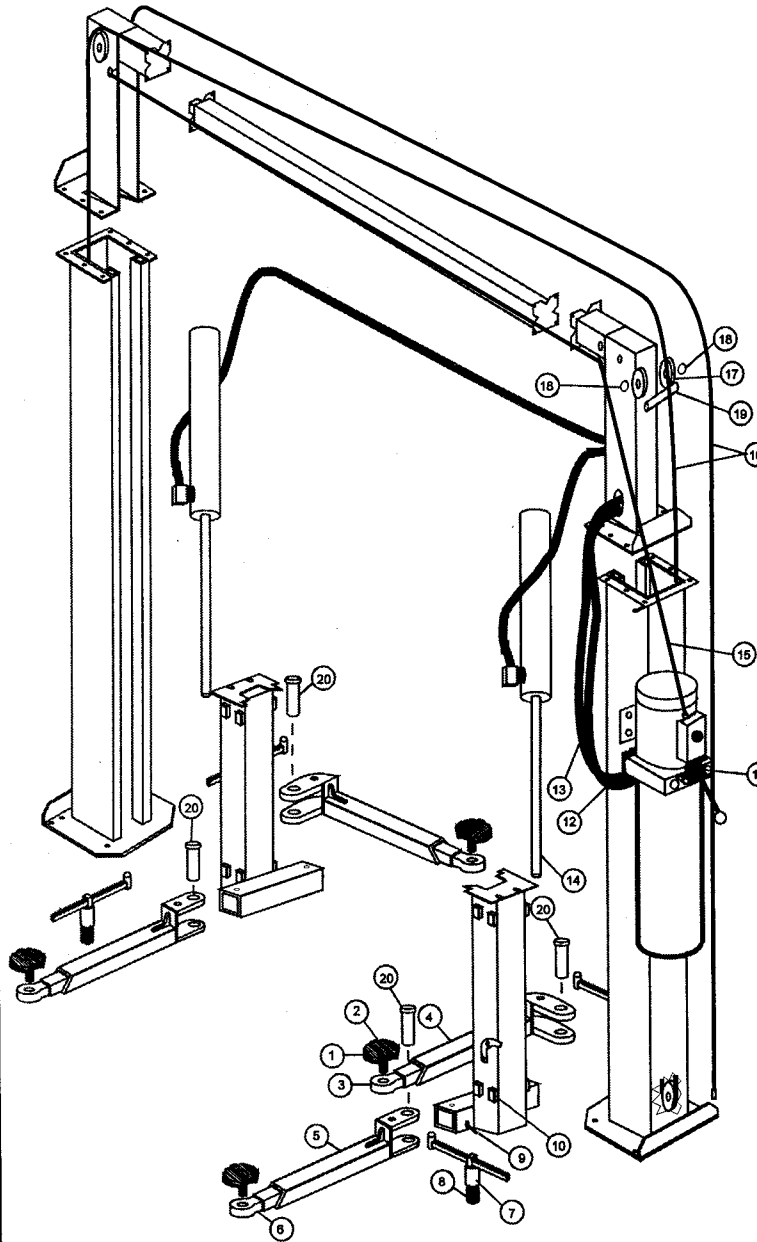
For Forward Lifts

IMPORTANT NOTE: REPAIR PARTS FOR ALL MODELS OF FORWARD LIFTS ARE AVAILABLE FROM SVI. THIS BREAKDOWN BASICALLY ONLY COVERS THE 7000A.

FOR REPAIR PARTS FOR OTHER MODELS PLEASE CONTACT YOUR FAVORITE SVI REPRESENTATIVE OR CONSULT THE FORWARD SECTION IN THE SVI PRICE LIST.

Model 7000A

Item No.	SVI Part No.	Ref. OEM Part No.	Description	Qty. Req.
1	BH-7235-90	991222	Complete Rubber Pad Kit	1
1	BH-7375-01		5-1/2" Height Extension	4
2	BH-7235-90A		Rubber Pad Only	4
3	BH-7235-20		Front Inner Arm	2
4	BH-7235-21		Front Outer Arm	2
5	BH-7235-22		Rear Outer Arm	2
6	BH-7235-23		Rear Inner Arm	2
7	BH-7235-24		Arm Restraint Assembly	4
8	BH-7235-25		Plunger Spring for Restraint	4
9	BH-7235-26		Safety Release Cable	2
10	BH-7235-27		Slider Block	16
11	BH-7006-01		Power Unit	1
12	BH-7235-30	992134	48" Hyd. Hose for Pass. Side	1
13	BH-7235-31	992135	64" Hyd. Hose for Driver Side	1
14	BH-7236-02	992317	Hydraulic Cylinder	2
15	BP-1400-16		16' Safety Release Cable	1
16	BH-7235-01	992601	Equalizer Cable (floorplate)	2
17	BH-7500-50N		Equalizer Cable Sheave	6
18	F-RR-1500		Snap Ring	8
19	BH-7235-33		Shaft for Cable Sheave	2
20	BH-7235-33		Arm Pin	4



Entire Contents Copyright © S V I International, Inc. 1998

To Order Call: (800) 321-8173 or Fax: (800) 899-1784

All names, numbers, symbols and descriptions are used for reference purposes only. It is not implied that any part listed is the product of these manufacturers, however, some parts may be the actual product of these manufacturers.