



COATS

RC-20A/RC-20AA

This Parts List is for
units with
Serial No. R.C.-20-1,000,001 and up
Manufactured by The Coats Co.
1601 J.P. Hennessy Drive
La Vergne, TN 37086
PHONE: 615-793-7533
TWX: 810-380-4372

ORDER PARTS FROM YOUR DISTRIBUTOR OR JOBBER

Ref. No.	Part Number	Description	Ref. No.	Part Number	Description	Ref. No.	Part Number	Description
1	600328	10mm x 20mm S.H.C.S.	85	107407	Hair Pin Clip	170	227297	Support Tube
2	330825	Table Top	86	000745	1/4" Std. Flat Washer	171	180174	AC Power Cord
3	323156	Clamp	87	180156	Yoke End	172	120409	1/4 - 20 x 1 3/4 H.H.C.S.
4	323901	Cover Clamp Carrier	88	600211	Washer, 6mm	173	181384	Filter-Lubricator Clamp
5	600407	8mm x 25mm H.H.C.S.	89	107440	1/4" - 20 Hex Nut	174	181369	1/4 - 20 Nyloc Nut
6	330762	Nozzle, Air Flate	90	181442	Switch Rod	175	600379	10mm x 20mm H.H.C.S.
7	600211	Washer	91	181482	Motor Cable Assembly	176	424275	10mm Washer
8	600150	6mm Hex Nut	92	230617	Transmission	177	322003	Mount/Demount Head
9	223791	Clamp Carrier, Cyl Mtg	93	181099	V-Belt	178	426861	Plastic Bumper
10	223785	Pivot Link	94	600687	Key	179	601274	10mm x 12mm Set Screw
11	223793	Pivot Plate Assembly	95	414344	Pulley, Transmission	180	326534	Vertical Shaft
12	223789	Clamp Carrier	96	600213	Washer	181	600643	3.5mm x 6.5mm Screw
13	323795	Pivot Spacer	97	600951	Hex Nut 10mm	182	426763	Tube Guide
14	323795	Washer	98	181126	Pad Lift Tool Holder	183	431061	Guide Bushing
15	423919	12mm x 75mm H.H.C.S.	99	181360	Lube Btl. & Lift Tool Holder	184	426865	Piston
16	323792	Pivot Cup	100	430679	Bead Lifting Tool-Coats	185	426879	Seal, O-Ring
17	600212	Washer	101	106501	1/4" Self-Tap Screw	186	600314	6mm x 40mm S.H.C.S.
18	601261	8mm x 16mm H.H.C.S.	102	000491	Lube Applicator	187	328866	Cylinder
19	414842	90 Degree Threaded Connector	103	106259	Lube Bottle	188	328867	Lock Plate, Vertical Slide
20	601251	12mm x 20mm S.H.C.S.	104	181359	Air Flate Pedal Guard - Red	189	426512	Leaf Spring, Upper
21	223810	Cylinder, Table Top	105	181483	Side Panel Assy	190	600157	10mm Hex Nut
22	417408	Straight Fitting Assy, B.S.P.T.	106	181410	Air Flate Pedal	191	601291	10mm x 25mm S.H.S.S.
23	601215	16mm x 35mm H.H.C.S.	107	104611	5/8" Jam Nut N.F.	192	600542	6mm x 6mm S.H.S.S.
24	330824	Washer, Table Top	108	104613	5/8" Ext. Lock Washer	193	314469	Roller
25	230778	Table Top Spider	109	104610	3/4" Jam Nut N.F.	194	104610	Roller Pin
26	430930	Toe 10mm x 10mm x 1/4 B.S.P.T.	110	104612	3/4" Lock Washer	195	231043	Tower
27	425013	Valve Fitting Assy, B.S.P.T.	111	181408	Valve Bracket, Air Flate	196	328868	Lock Plate, Horizontal Slide
28	230827	Rotary Coupling	112	106302	3/8 - 16 x 1 H.H.C.S.	197	601029	10mm x 25mm S.H.S.S.
29	418350	1/8 B.S.P.T. x 14mm Elbow Assy	113	601022	6mm Self Lock Hex Nut	198	426512	Leaf Spring
30	226349	Bead Loosener Cylinder	114	106303	3/8 Whiz Lock Nut	199	600157	10mm Hex Nut
31	600992	14 mm Hex Nut	115	104674	Bushing 3/4" Valve	200	329204	12mm x 40mm S.H.S.S.
32	418562	Screw, Cyl. MTG-14mm	116	104673	Bushing 1/4" Valve	201	600158	12mm Hex Nut
33	600841	Screw	117	106298	3/4" Valve Ported 1/4 - 18 N.P.T.	202	426773	Cylinder Protector Cover
34	325018	Lever Guide	118	104600	Valve Comp	203	600946	10mm x 16mm Set Screw
35	600312	Screw	119	181518	3/8 - 16 x 2" S.W.H.S.	204	322738	Conical Roller
36	325019	Spring, Leaf	120	600349	4mm x 12mm Screw	205	418892	Pin, Roller
37	425020	Clamp	121	600195	Washer, 4mm	206	601091	6mm x 5mm Set Screw
38	331448	Lever Guide	122	404283	Lever for switch	207	600821	18mm Snap Ring
39	600411	Screw	123	600286	3mm x 10mm Screw	208	600153	12mm Hex Nut
40	600212	Washer	125	181443	Switch Bracket	209	323350	Yoke, Tower Tilt Cyl.
41	181495	8mm x 6" Nylon Tube	126	181369	1/4 - 20 Nyloc Nut	210	328667	Tilt Cyl. Pin
42	415860	Toe, 8mm Tube	127	424796	Switch	211	000745	1/4" Flat Washer
43	181496	8mm x 14" Nylon Tube	128	422550	Switch Cover	212	223974	Tilt Cyl.
44	422682	Muffler	129	190134	1/4 - 20 x 3/4 H.H.C.S.	213	107139	Hitch Pin
45	229059	Valve, B.L. Cyl.	130	601046	10mm x 55mm H.H.C.S.	214	181436	Lower Tilt Cyl. Pin
46	231378	Valve, T.T. & Tower	131	600213	10mm Washer	215	600372	8mm x 16mm S.H.C.S.
47	600291	4mm x 20mm S.H.C.S.	132	181183	5/16" Nylon Lock Nut	216	323901	Washer, B.L. Pivot Pin
48	601022	8mm Hex Nut	133	106300	3/8" Self-Tap Screw	217	323902	B.L. Cyl. Rod Pin
49	600366	6mm x 40mm H.H.C.S.	134	181173	Front Pad B.L.	218	180230	Spring B.L.
50	331381	Connecting Link	135	181181	5/16" x 1" B.S.H.C.S.	220	601242	B.L. Cyl. Nut
51	331400	Base	136	181472	Chassis - Red	221	181348	B.L. Arm
52	331450	Spacer	137	181065	Center Pad	222	422255	12mm Hex Nut
53	325050	Spacer, Pedal	138	424142	Bumper	223	409650	Spring Washer
54	671524	5mm Hex Nut	139	601045	Washer	224	324008	12mm Allen-Head Bolt
55	425014	Connecting Rod	140	102278	1/8" x 1" Cotter Pin	225	224000	Shoe
56	600297	5mm x 16mm S.H.C.S.	141	323903	Bead Loosener Arm Pin	226	402177	Knob, Shoe Handle
57	231447	Clamp Cyl. Pedal	142	331055	Tower Pivot Pin	*227	225659	Motorcycle Clamps
58	331383	Support, Conn. Rod	143	181415	Front Stop Bar	*228	225640	Motorcycle Shoe Adapter
59	410628	Pedal Return Spring	144	318183	Washer, 12mm	229	181435	Extension, Sw. Pedal
60	309358	Spring Washer	145	601225	12mm x 25mm H.H.C.S.	230	600213	10mm Washer
61	419888	8mm Washer	146	181448	Front Tower Stop	231	600379	10mm x 20mm H.H.C.S.
62	601137	8mm Lock Nut	147	150128	Cable Connector	232	181493	7 GA. Spacer
63	330735	Tower Tilt Pedal	148	181183	5/16 - 18 Nyloc Nut	233	181494	14 GA. Spacer
64	325050	Spacer	149	181129	Bracket, Cable Connector	234	181438	Stop Pedal
65	426862	Switch Control Spring	150	601018	4mm Hex Nut	235	106455	Clevis Pin
66	231486	Bead Loosener Pedal	151	120325	5/16 x 1 S.W.H.S.	236	190163	1/4 - 20 x 3/4 S.W.H.S.
67	325005	Pedal Pivot Axle	152	600909	6mm x 35mm S.H.C.S.	237	181516	Plate Pedal Guard Clamp
68	600025	Snap Ring	153	328696	Handle Brace	238	228717	Slide Stop
69	329955	Pedal Stop, Front	154	231744	Locking Handle	239	601295	8mm x 16mm S.H.C.S.
70	600691	5mm x 10mm S.H.C.S.	155	327283	Front Bracket	240	143169	1/4 - 20 Whiz Lok Nut
71	600363	6mm x 25mm H.H.C.S.	156	600310	6mm x 20mm S.H.C.S.	241	120325	5/16 x 1 S.W.H.S.
72	331382	Pedal Stop, Rear	157	327284	Backing Plate	242	230372	Gauge Bracket
73	600309	6mm x 16mm S.H.C.S.	158	427290	Fitting	243	600372	6mm x 16mm H.H.C.S.
74	181096	Guard Pedal	159	181437	Tower Pivot Cover	244	600212	8mm Washer
75	000240	Washer	160	426530	Plastic Cover, Vertical Shaft	245	181183	5/16" Nylon Lock Nut
76	108302	3/8" Whiz Lock Screw	161	801098	6mm x 22mm S.H.C.S.	246	000524	3/8 - 16 x 1 H.H.C.S.
77	108303	3/8" Whiz Lock Nut	162	326523	Upper Tube	247	600875	Pin
78	120455	#10-24 Self-Tap Screw	163	800906	6mm x 35mm H.H.C.S.	248	330737	Switch Pedal
79	180560	Ground Jumper	164	226525	Horizontal Shaft	249	600717	6mm x 60mm H.H.C.S.
80	181371	Motor	165	600150	6mm Hex Nut	*250	108026	Tire Spreader
81	180558	Key Motor	166	600679	6mm Washer	*251	181329	Spreader Base/Rim Clamp
82	180217	5/16" x 3/8" Soc. Set Screw	167	601257	6mm Hex Nut			
83	180046	Motor Pulley	168	327294	Stem			
84	150128	Cable Connector	169	181519	1/4 - 20 x 1" H.H.C.S.			

Additional Part Numbers On Back Page

*ACCESSORY ITEM ONLY

When ordering parts always give the following information:

(1) Part Number (2) Description (3) Serial Number of Your Machine

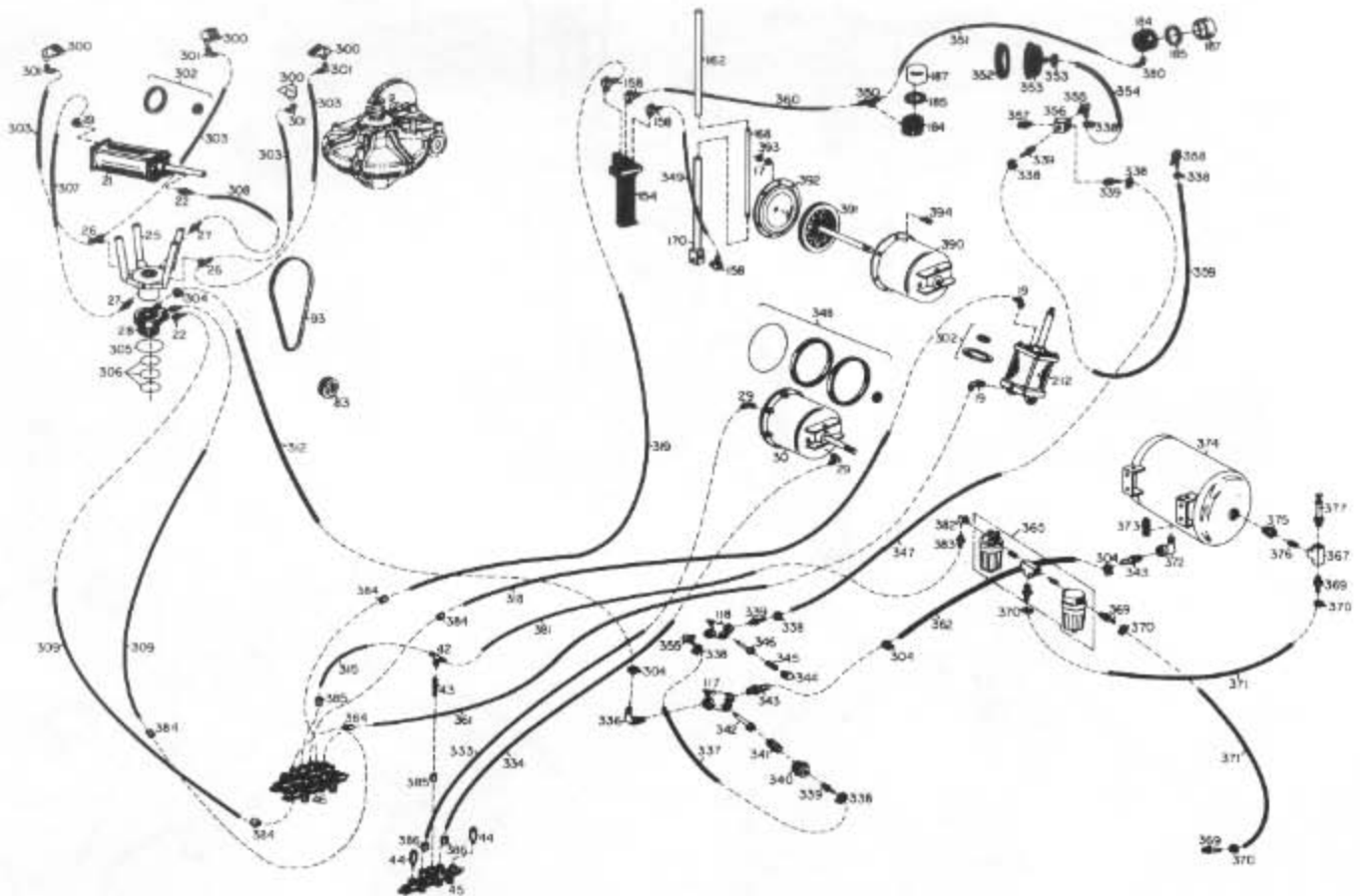
Ref. No.	Part Number	Description
300	330782	Nozzle - Air Flate.....
301	430829	B.S.P.T. x 14mm Elbow Assy.....
302	181162	Table Top Cyl. Seal Kit.....
303	181347	10mm x 10" Nylon Tube.....
304	101346	3/4 Hose Clamp.....
305	430828	C-Ring, Air Flate.....
306	423781	O-Ring.....
307	180163	6mm x 16 1/2" Nylon Tube.....
308	180162	6mm x 12 1/2" Nylon Tube.....
309	180173	6mm x 25" Nylon Tube.....
310	329057	Lever Guide.....
311	230618	Valve - Air Motor.....
312	181463	Hose - 5/8 x 27 1/2".....
313	181215	10mm x 22" Nylon Tube.....
314	181214	10mm x 20" Nylon Tube.....
315	181495	8mm x 6" Nylon Tube.....
316	181460	8mm x 36" Nylon Tube.....
317	181461	8mm x 44" Nylon Tube.....
318	180167	6mm x 47 1/4" Nylon Tube.....
319	181497	8mm x 138" Nylon Tube.....
320	181206	Muffler.....
321	181195	1/2 - 3/8 NPT Reducing ELL.....
322	181207	3/8 NPT Close Nipple.....
323	181191	Valve - Quick Exhaust.....
324	419140	Fitting - 1/4 B.S.P.T. x 10mm Tube.....
325	000580	1/4 NPT Close Nipple.....
326	181203	1/2-1/4 Reducing Bushing.....
327	181190	Air Motor.....
328	000525	5/16" Lock Nut.....
329	106302	3/8" Whiz-Lock Screw.....
330	181196	Bracket-Air Motor.....
331	120325	5/16 x 1" S.W.H.S.....
332	181200	Angle W/Assy.....
333	181175	10mm x 42" Nylon Tube.....
334	181515	10mm x 12" Nylon Tube.....
336	181502	3/4 NPTX 5/8 Nylon Elbow.....
337	120271	1/4" x 9" Hose.....
338	101428	Hose Clamp.....
339	000376	1/4" Brass Straight Fitting.....
340	106350	End Cap, 3/4" Valve.....
341	104651	Spring, 3/4" Valve.....
342	104652	Poppet, 3/4" Valve.....
343	104573	3/4" Straight Fitting.....
344	105671	End Cap, 1/2" Valve.....
345	102468	Poppet Spring.....
346	104649	Poppet, 1/2" Valve.....
347	181375	1/4" x 61" Hose.....
348	181163	B.L. Cylinder Seal Kit.....
348	181499	6mm x 8" Nylon Tube.....
350	414859	Tee - 1/8 B.S.P.T. x 6mm Tube.....
351	181500	6mm x 41" Nylon Tube.....
352	107517	Gauge Lens, Screw-On.....
353	107990	Air Gauge, w/Flange.....
354	000481	1/4" x 6" Hose.....
355	000376	90-Degree Fitting.....
356	181039	Manifold.....
357	103737	Release Valve.....
358	410419	Air Chuck.....
359	104583	1/4" x 48" Hose.....
360	181498	6mm x 6" Nylon Tube.....
361	180168	6mm x 38" Nylon Tube.....
362	181462	3/4" x 17" Hose.....
363	414867	Fitting - 1/4" BSPT x 8mm Tube.....
364	000372	1/4" NPT St. ELL.....
365	181517	Filter - Lub. Assy.....
367	000643	1/4" Tee.....
369	101898	3/8" Hose Fitting.....
370	101427	Hose Clamp.....
371	101033	3/8" x 30" Hose.....
372	000572	3/4" x 90° St. ELL.....
373	106188	Strainer Screen.....
374	181318	Surge Tank.....
375	101312	Reducing Bushing.....
376	000580	1/4 NPT Close Nipple.....
377	104968	Safety Valve.....
378	181205	V-Bell.....
379	181204	Sheave.....
381	181459	6mm x 50" Nylon Tube.....
382	000372	1/4 NPT St. Ell.....
383	414867	Fitting - 1/4 B.S.P.T. x 8mm Tube.....
384	318198	6mm Tube Nut.....
385	318198	8mm Tube Nut.....
386	318362	10mm Tube Nut.....
387	329056	Pedal Stop.....
388	108059	Decal - Danger.....
389	180060	Decal - Warning.....
390	223811	Barrel - B.L. Cyl.....
391	233127	Piston/Rod Assy - B.L. Cyl.....
392	319150	Bottom Cap - B.L. Cyl.....
393	600112	6mm Hex Nut.....
394	600320	6mm x 20mm SHCS.....

When ordering parts always give the following information:

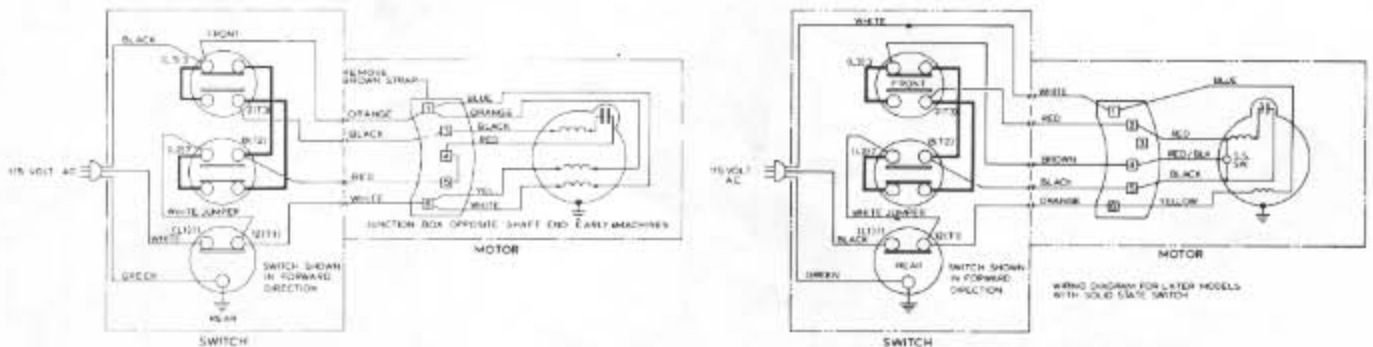
(1) Part Number (2) Description (3) Serial Number of Your Machine

ELECTRO/PNEUMATIC RC-20A

AIR SYSTEM

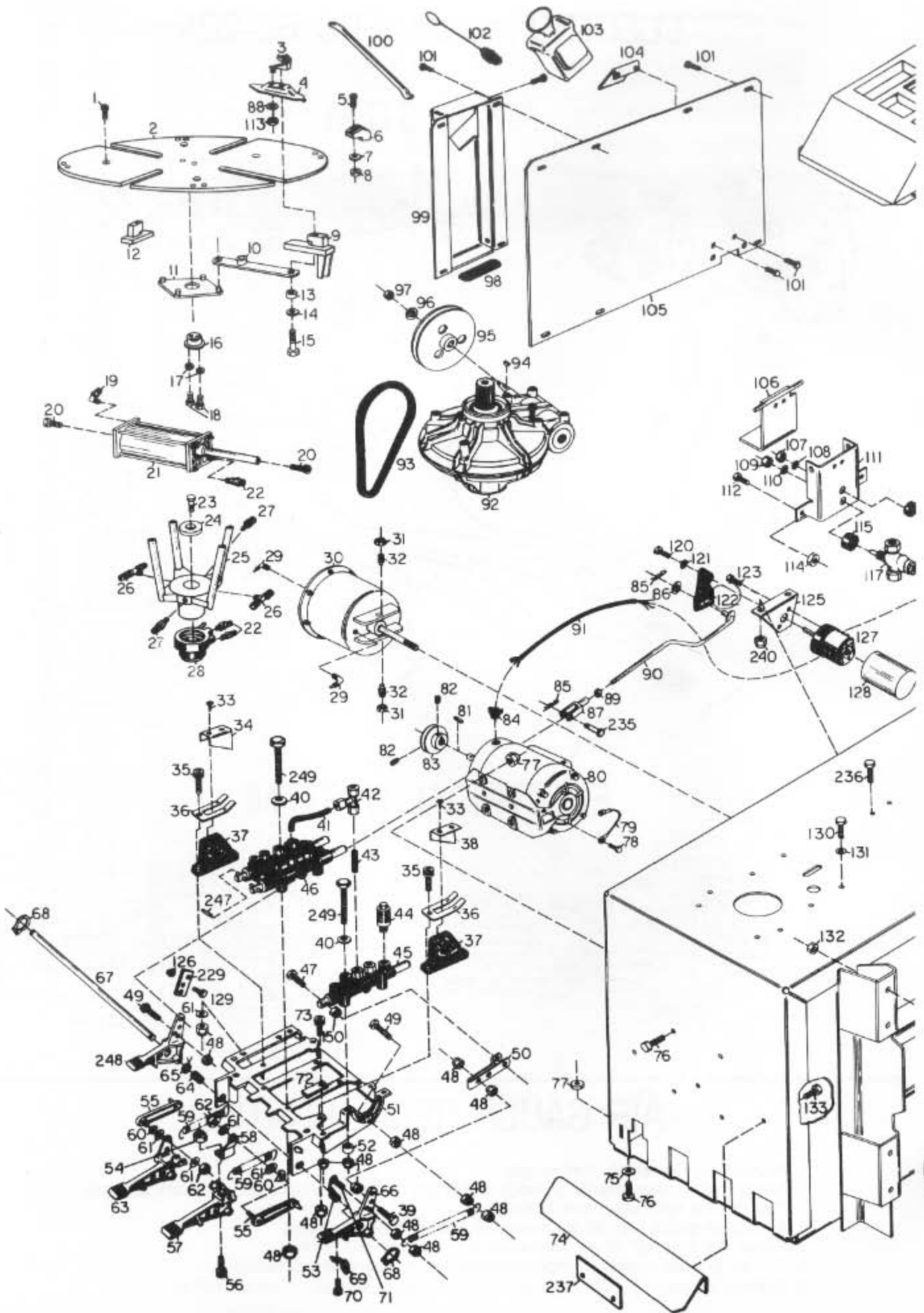


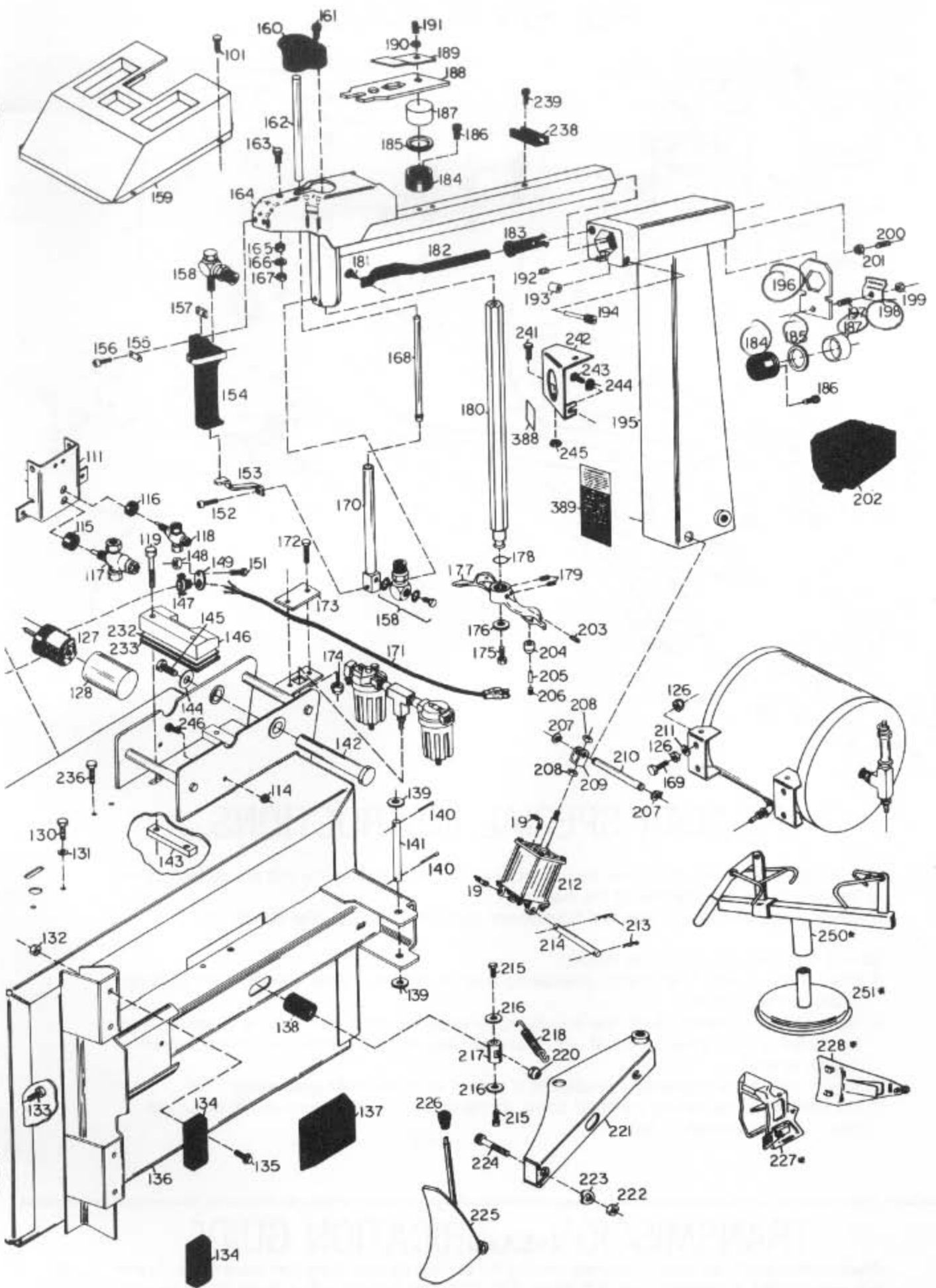
ELECTRICAL SYSTEM



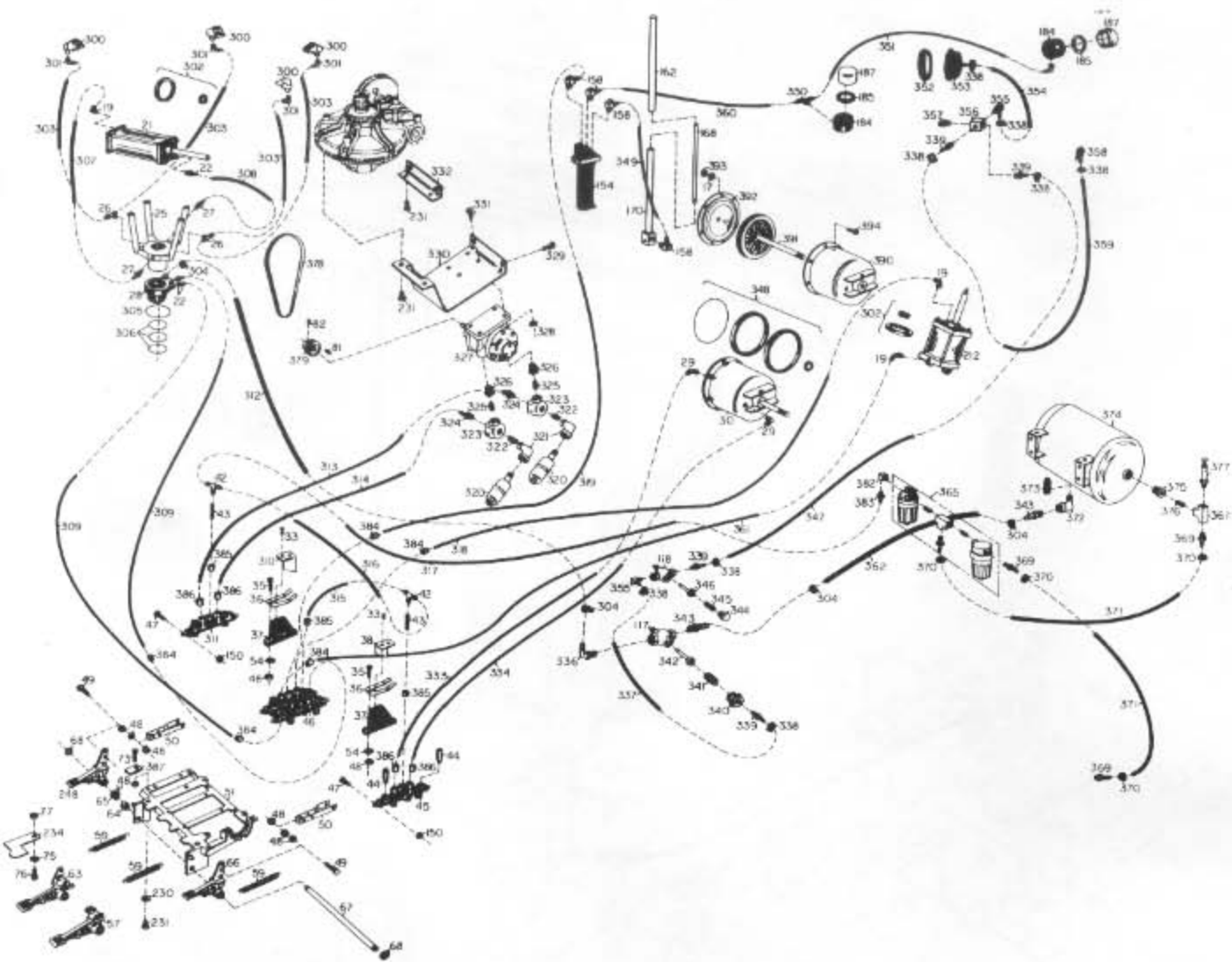
AIR GAUGE RECALIBRATION

1. Remove lens assembly from gauge.
2. Loosen two screws located on edge of dial face in the 10 o'clock and 2 o'clock positions.
Caution: Do not loosen over three turns.
3. Pressurize gauge with 32 psi measured from a standard gauge.
4. Rotate top dial until 32 psi graduation is in line with the pointer.
5. Tighten the two screws — check alignment of pointer with graduation.
6. Replace lens.





ALL AIR RC-20AA



RC-20AA SPECIAL INSTRUCTIONS

The RC-20AA uses only one power source. Compressed air at 110 to 175 PSI should be supplied to the air inlet hose at the rear of the machine.

(Recommended compressor size is 5 horsepower capable of 14 - 15 CFM at 150 PSI).

Service the Filter-Lubricator Unit Weekly:

1. Drain moisture from filter unit by unscrewing knob on bottom of bowl. Tighten knob by hand when finished draining.
2. Refill lubricator unit with SAE 10w non-detergent oil as required. Check oil by removing large knob next to sight glass on top of unit. Lubricator may also be drained by turning knob on bottom of bowl.
3. Adjust drip rate of lubricator if required to 1 drop of oil in the sight glass every 1 - 1½ minutes. Adjust by turning the small screw on top of the lubricator clockwise to close and then counterclockwise ¼ turn.

TRANSMISSION LUBRICATION GUIDE

Check the fluid level in the tabletop transmission using the oil check dip stick. If any fluid shows on the dip stick it is properly filled. If necessary, add high quality SAE 80/90 gear lubricant until it shows on the dip stick.

ELECTRICAL DIAGRAMS

REVIEW MODEL FOR PROPER DIAGRAM BEFORE REPAIR OR ORDERING PARTS

