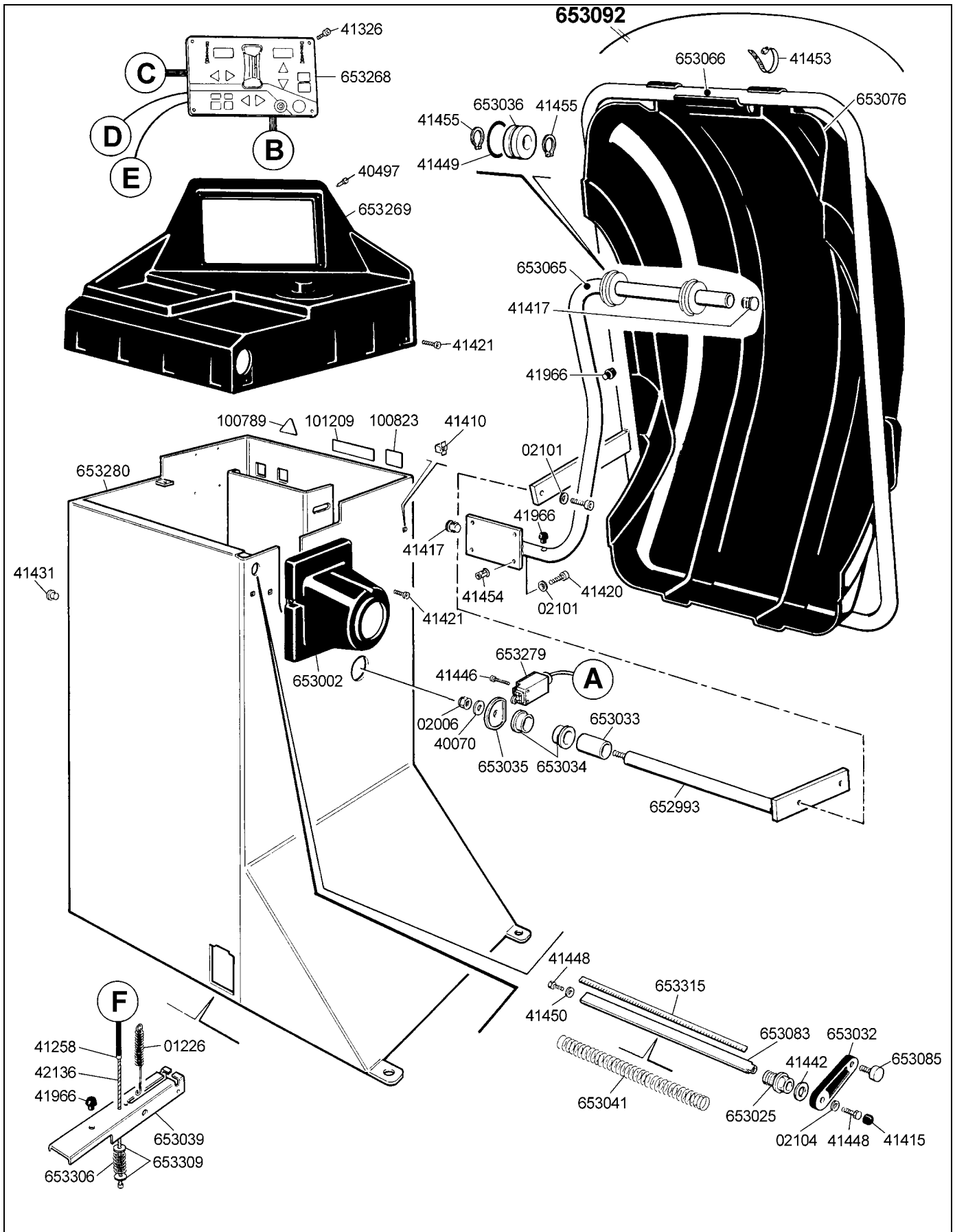
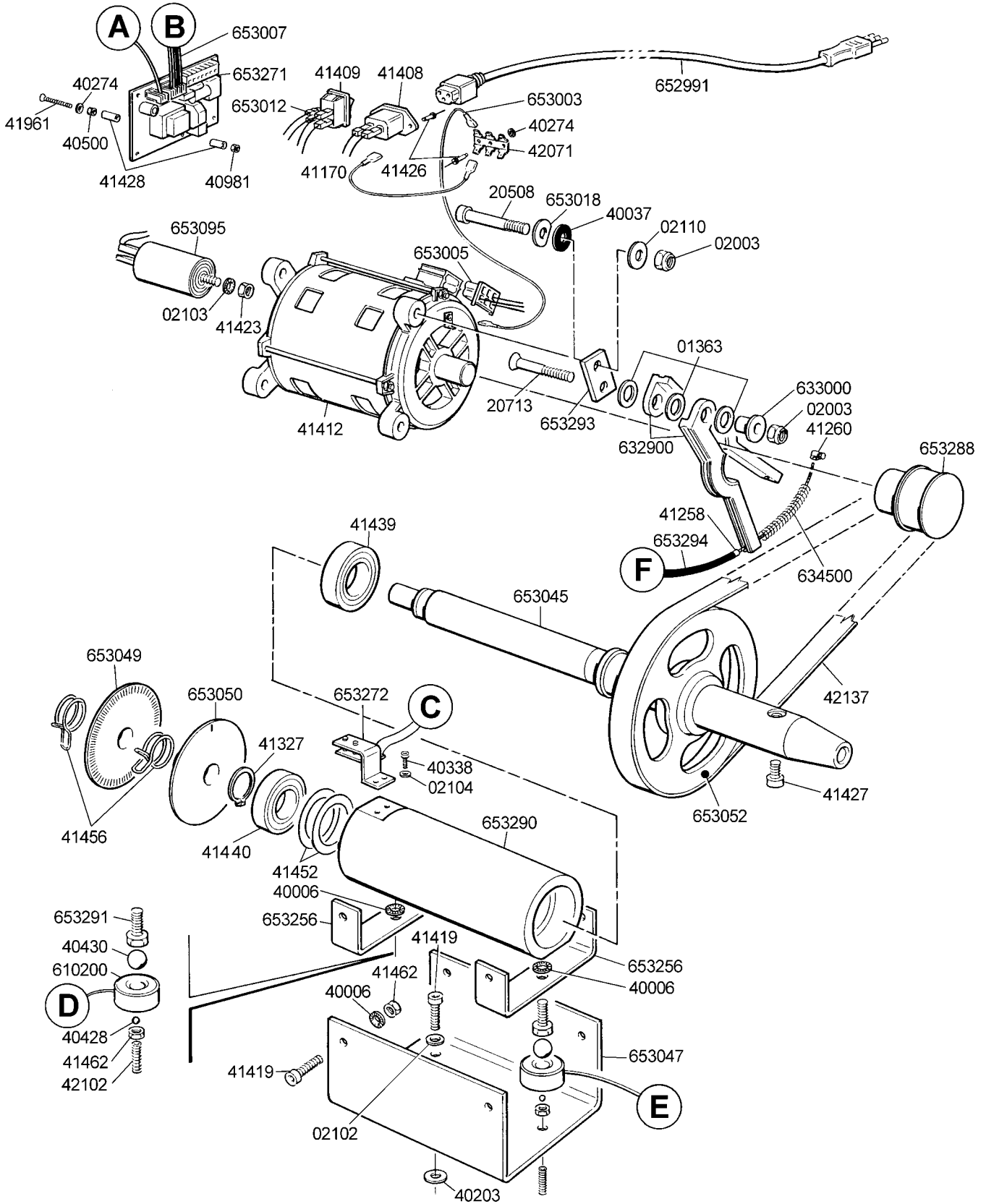




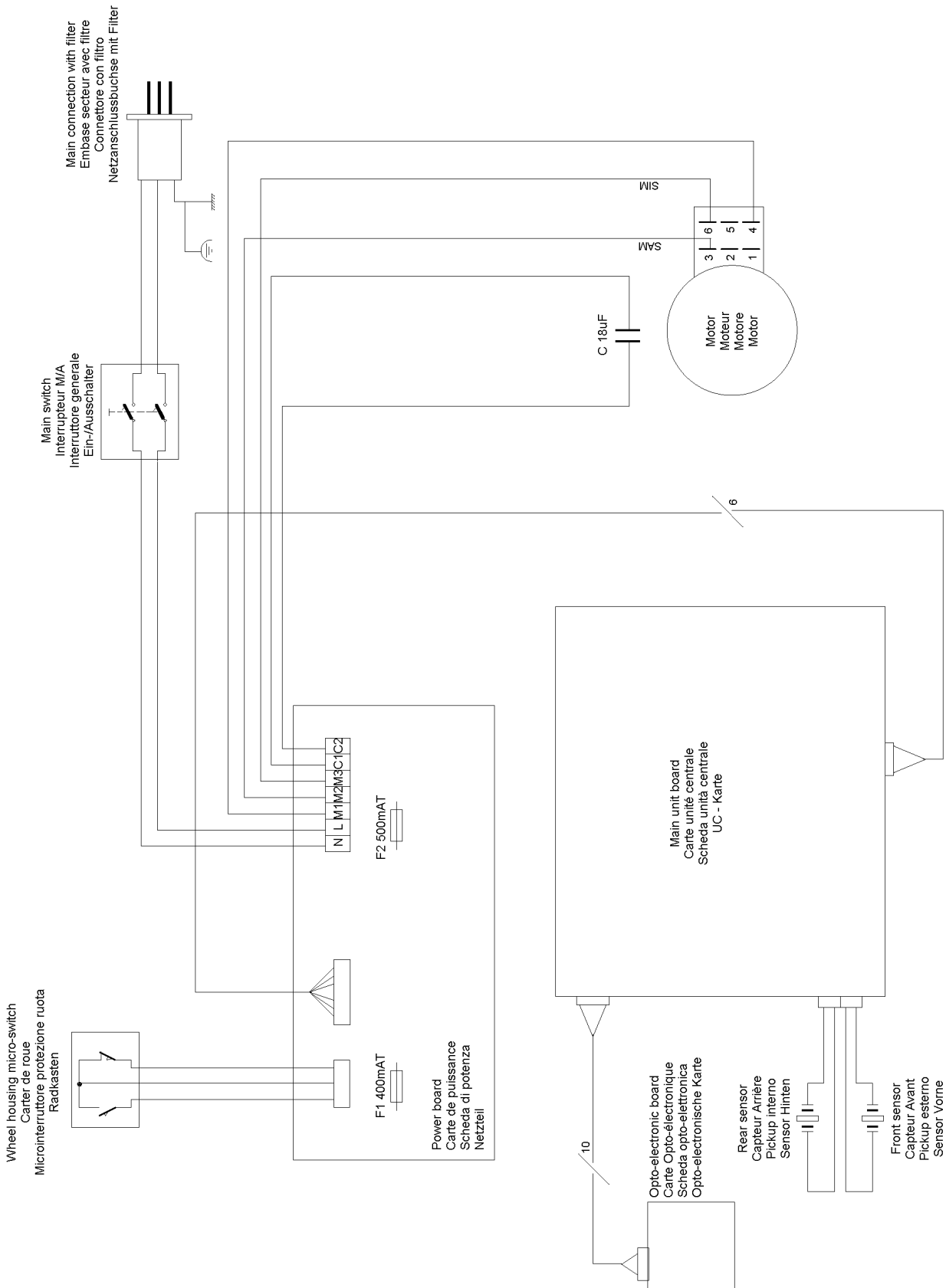
SBM 50s

***PARTI DI RICAMBIO
PIÈCES DE RECHANGE
SPARE PARTS
ERSATZTEILEN
REPUESTOS***

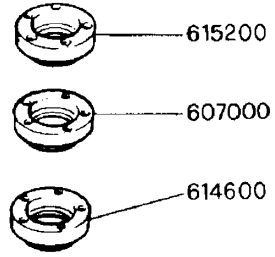
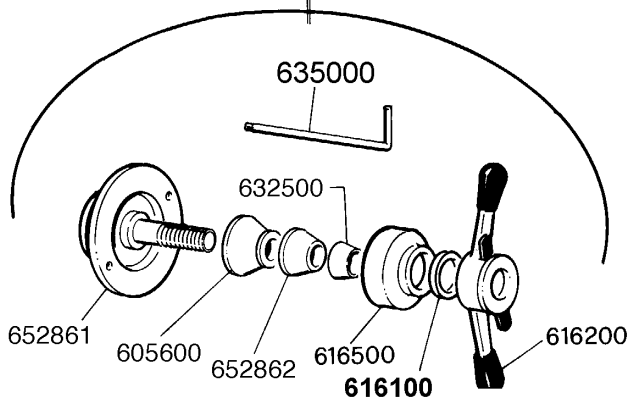




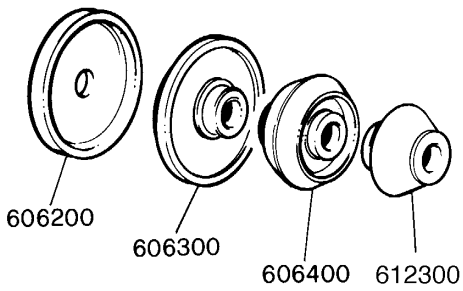
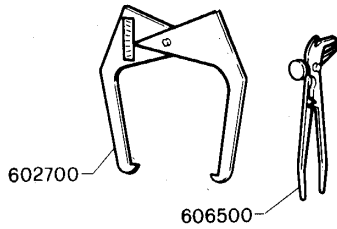
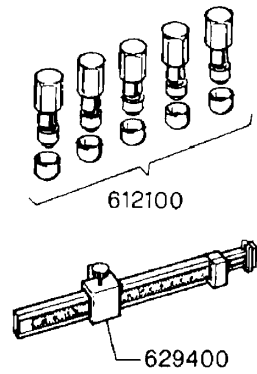
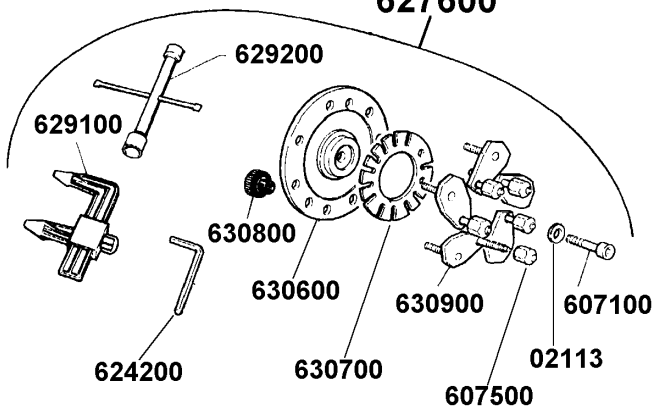
SCHEMA ELETTRICO EQUILIBRATRICE SBM 50s A 230V
SBM 50s BALANCING MACHINE ELECTRIC DIAGRAM AT 230V
DIAGRAMA DE CONEXION BALANCEADORA SBM 50s 230V



602400



627600



635800

