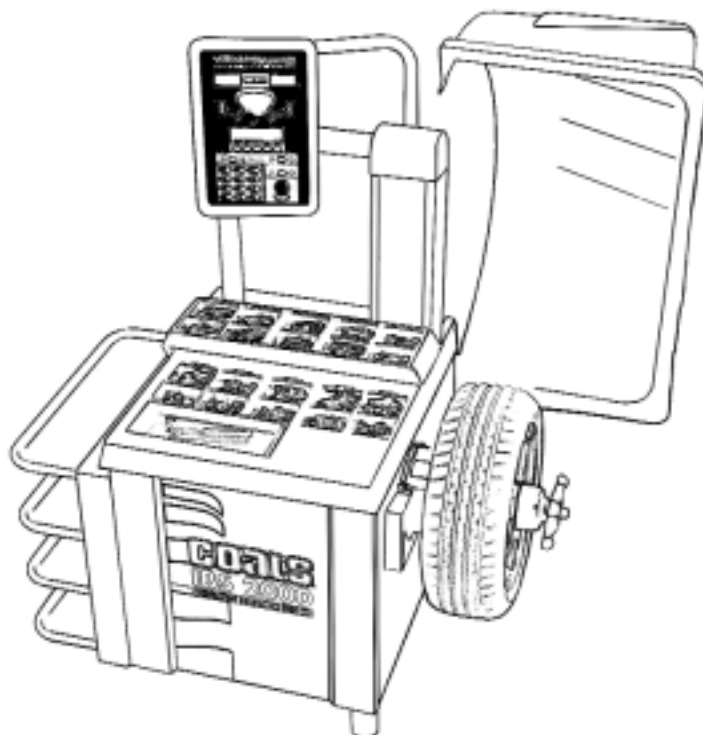


COATS®

IBS 2000

Interactive Balancing System



Parts Identification

HENNESSY INDUSTRIES, INC.

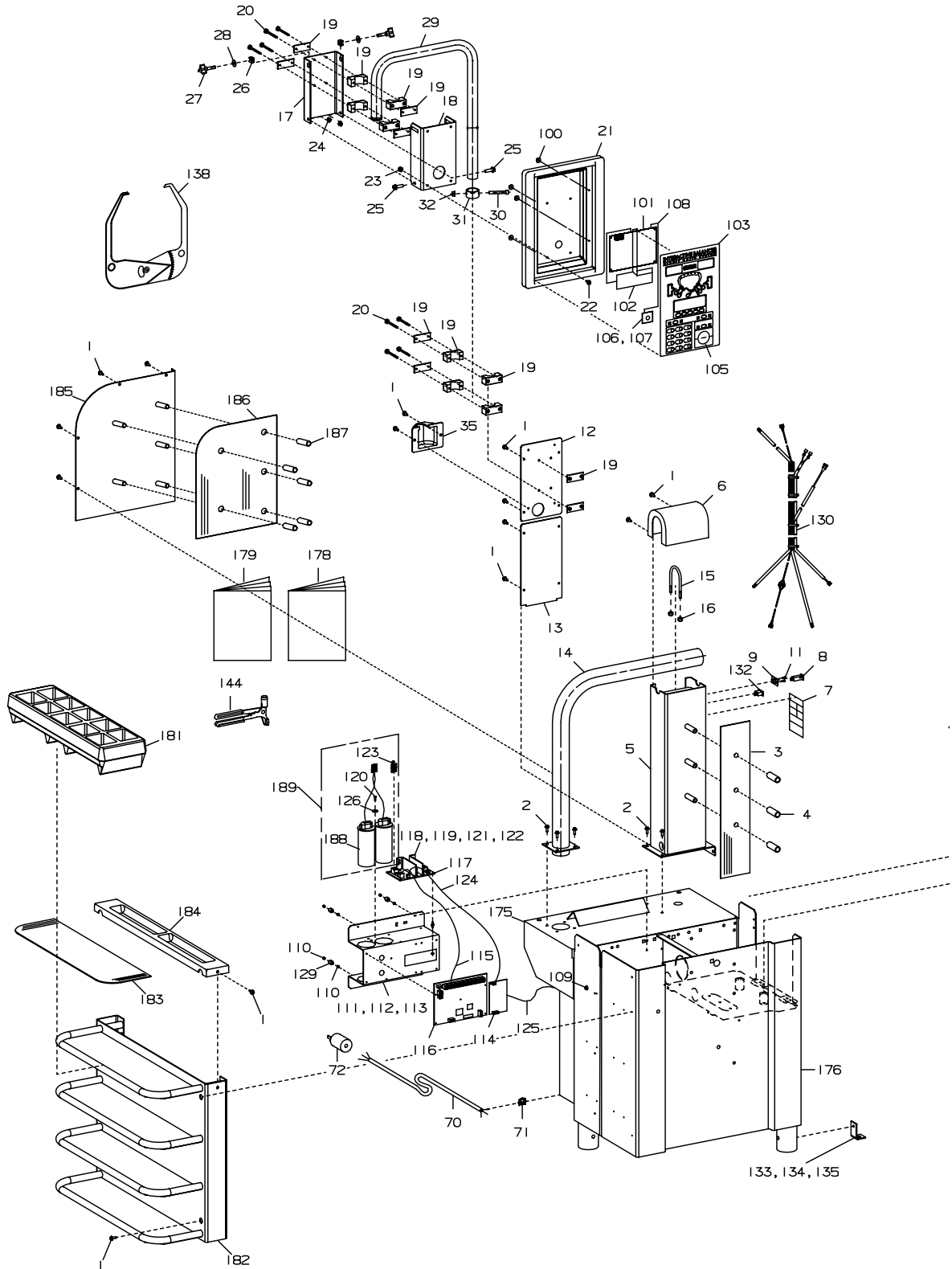
HENNESSY INDUSTRIES INC. Manufacturer of AMMCO®, COATS® and BADA® Automotive Service Equipment and Tools.

Manual Part No.: 9112388
Revision: 12/00 rev. 1

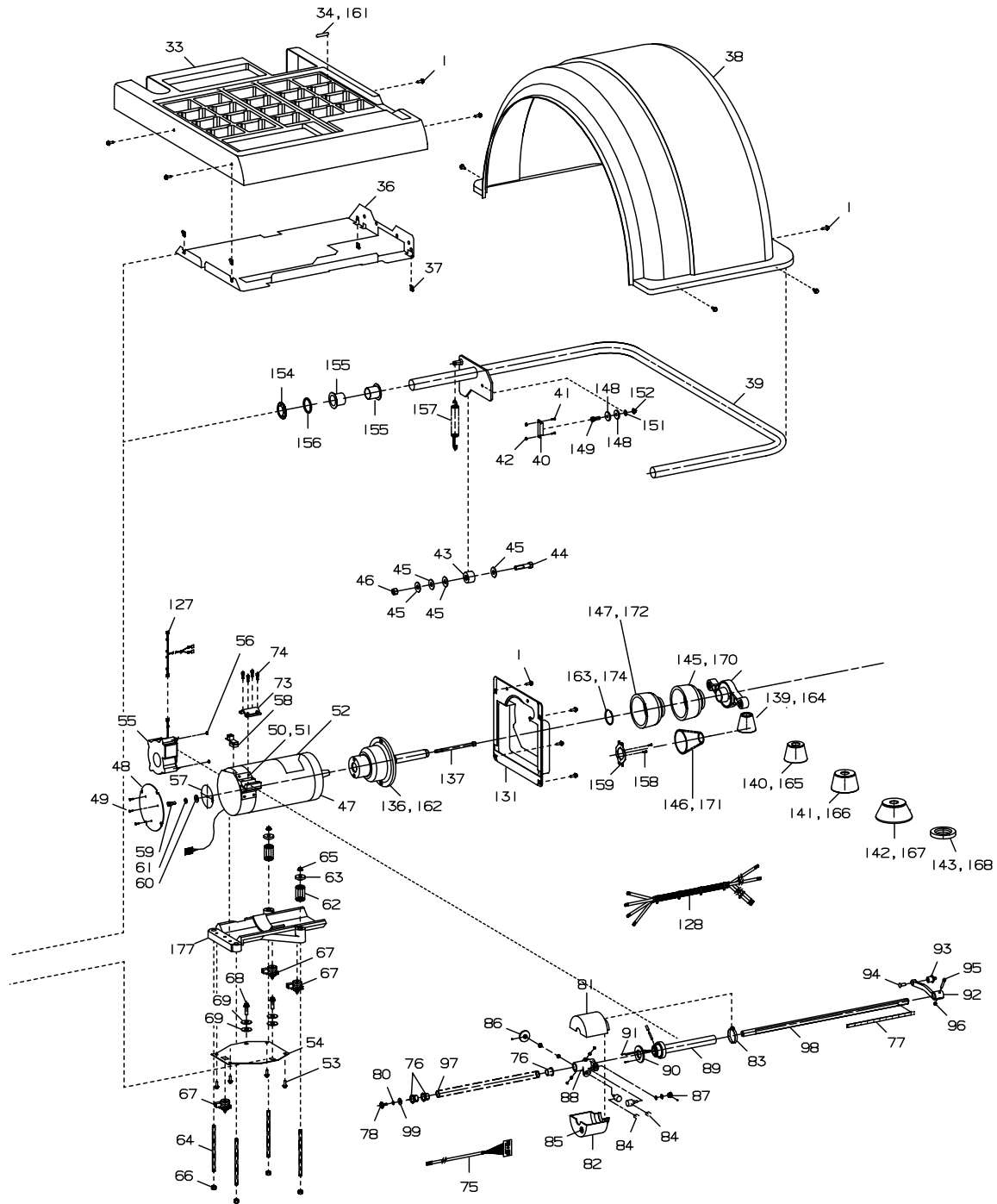
Direct Drive

Parts Identification

IBS 2000 Parts Illustration



Direct Drive



Direct Drive

ITEM	PART NO.	DESCRIPTION	ITEM	PART NO.	DESCRIPTION
1	8106301	1/4-20 St-Hhcs	50	8112329	Assembly, Distance Gauge Mount
2	8108852	3/8-16 St-Hhcs	51	8112054	Screw, 1/4-28 X 5/8" Lg Shcs
3	8112122	Rubber Protector, Cone Storage	52	8112332	Label, Top Dead Center
4	8112060	Sleeve, Accessory Peg	53	8106302	3/8-16 Hhcs
5	8112128	Painted Column	54	8112182	Flex Plate
6	8112154	Cover, Column	55	8112153	Fan Assembly, 230 Vac
7	8112185	Caution/Patent Decal	56	8301084	#8 Kep Nut
8	8111059	Circuit Breaker, 1 Amp	57	8308817	Disk, Encoder
9	8112194	Assembly, Circuit Breaker Mounting Plate	58	8112215	Assembly, Optical Encoder
11	8111542	#8-32 X 5/8 Lg Phms Bx	59	8301016	Bolt, 3/8 X 3/8 Shoulder
12	8112019	Upper Column Cover	60	8301032	3/8 Washer, Flat
13	8112159	Lower Column Cover	61	8104200	3/8 Washer, Internal Lock
14	8112187	Assembly, 2.5" Tube	62	8307008	Spring, Piezo
15	8110789	U Bolt 2.5" Tube	63	8308036	Retainer, Piezo
16	8181183	5/16-18 Lock Nut	64	8108727	Rod, Threaded Piezo
17	8112027	Bracket, Pod Mounting	65	8301033	Nut, 3/8 Jam
18	8112028	Bracket, Pod Adjustment	66	8106303	Nut, 3/8-16 Whiz Lock
19	8112029	Clamp, Pod Tube	67	8112203	Piezo Assembly
20	8112179	1/4-20 X 3" Lg Hhcs	68	8120325	5/16-18 Whhcs
21	8112030	Pod, Plastic	69	8301121	1/2 Washer, Flat
22	8143168	1/4-20 Wh Screw	70	8112318	Cord, Power
23	8143169	1/4-20 Wh Nut	71	8150128	Relief, Power Cord Strain
24	8301035	3/8-16 Hh Lock Nut	72	8140786	Plug, Electrical 230v 3 rd Only
25	8106302	3/8-16 Wl Hhcs		8305076	Plug, Electrical 230v 1 st Only
26	8143044	3/8-16 Hh Tinnerman Nut	73	8112053	A/D Arm Clamp
27	8110817	Knob, 3/8-16 Thrd	74	8112054	112054 1/4-28 X 5/8 Lg Shcs
28	8301032	3/8 Flat Washer	75	8112205	112205 Cable, Modular A&D Arm
29	8112032	1.5" Dia Pod Tube	76	8112058	Bushing
30	8112176	3/8-16 X 2 1/2" Lg Shcs	77	8112148	Scale, Distance Gauge
31	8112175	Tube, Pod Locator	78	8106301	1/4-20 St-Hhcs
32	8106303	3/8-16 Wh Nut	80	8301142	1/4 Lock Washer
33	8112034	Assembly, Weight Tray, Plastic	81	8112118	Housing, Left A/D Arm
34	8112036	Labels, Weight Tray	82	8112115	Housing, Right A/D Arm
35	8112178	Cover, Rear Harness	83	8112120	Clamp, Large
36	8112038	Shield, Weight Tray	84	8112059	Assembly, Potentiometer
37	8106304	1/4-20 Tinnerman Clip	85	8112249	Strain Relief, Modular Cable
38	8112040	Wheel Guard, Plastic	86	8112062	Gear, "A"
39	8112041	Weldment, Hoodbar	87	8112061	Gear, "D" Small
40	8305050	Switch, Reed	88	8112056	Sub Assembly, A&D Body
40a	8111820	Interlock Switch	89	8112067	Sub-Assembly, A/D Arm Sleeve
41	8301063	#6-32 Phms	90	8112071	Gear, Large "D"
42	8301066	#6 Kep Nut	92	8112074	Handle, A/D Arm
43	8309008	Stop, Molded Hood	93	8112139	Tip, Distance Gauge
44	8301120	1/2-13 X 2.5" Lg Hhcs	94	8112140	5/16-18 X 7/8" Lg Fhms
45	8301121	1/2 Washer	95	8112141	1/4 - 20 X 1 1/2" Lg Bhms
46	8301122	1/2-13 Lock Nut	96	8181369	1/4-20 Nylon Insert Locknut
47	8112233	Motor Assy Wired	97	8112075	Spring, A/D Arm
48	8308513	Cover, Rear End Bell	98	8112077	Machined Complete, A/D Arm Rod
49	8112191	#10-24 X 1/2" Lg Hhms	99	8111032	Washer, Fender 1/4 Bx-1050
			100	8111055	#6 Lock Nut

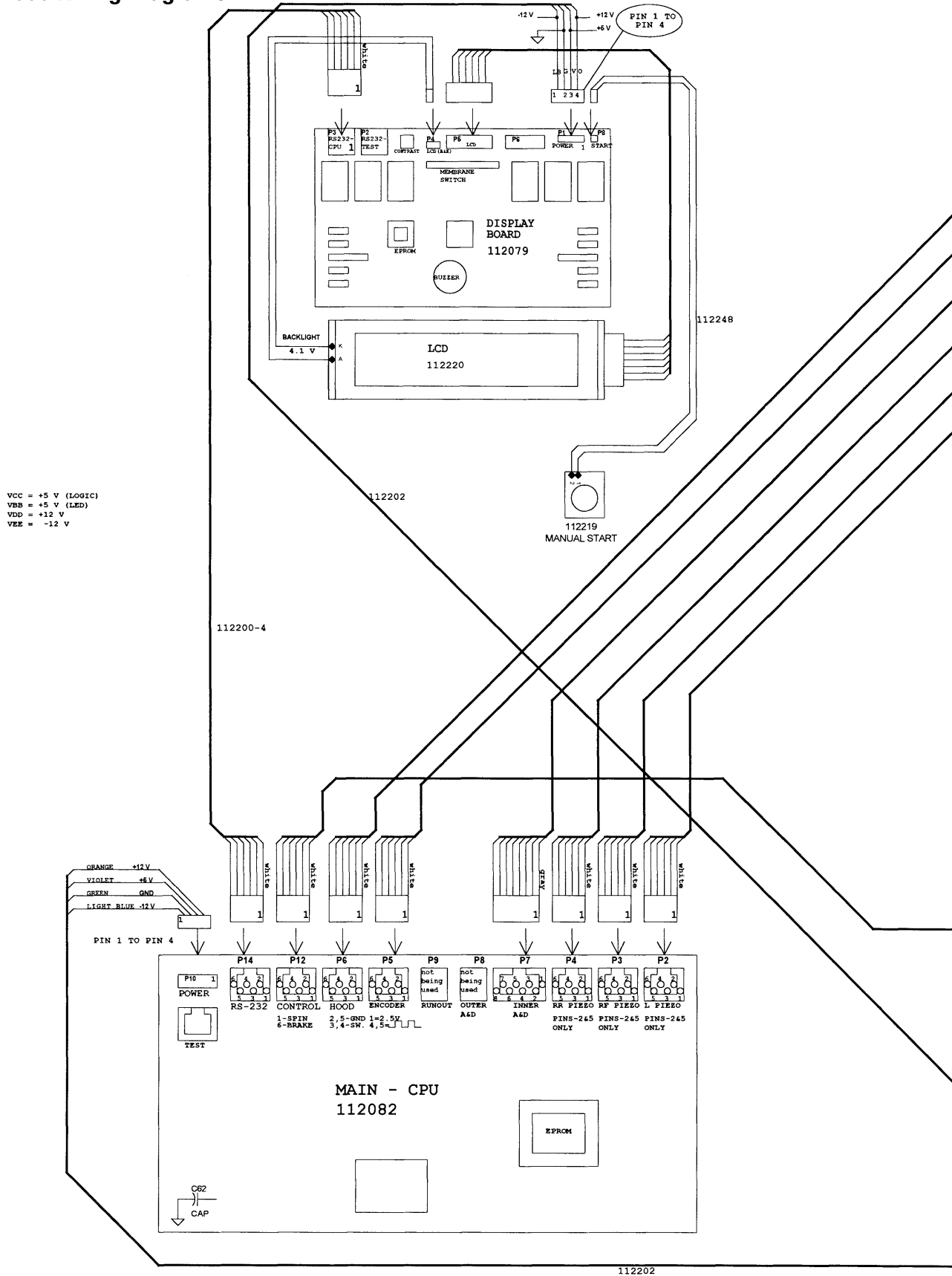
Direct Drive

ITEM	PART NO.	DESCRIPTION	ITEM	PART NO.	DESCRIPTION
101	8112079	Display Pcb	152	8106303	3/8-16 Wh Nut
102	8112220	Lcd Display	154	8109945	Retainer, Hood Tube
103	8112225	Touch Panel Sub Assembly	155	8307014	Bearing, Flanged
105	8308017	Rubber Plunger, Black	156	8109944	Hood Washer
106	8301063	#6-32 Phms	157	8112048	Spring, Hood
107	8112219	Manual Start Pcb Assembly	158	28590	#10-24 X 1/2" Lg Phms, Phillips
108	8112248	Cable Assy	159	8112110	Bracket, Captive Back Cone
109	8110560	Ground Screw (Green)	161	8112142	Gram Decal Sheet
110	8112317	#10-32 Kep Nut	162	8112097	Face Plate/Stub Shaft 40mm Id
111	8112237	Bracket - Assy Power Panel	163	8110514	Retainer, Pressure Cup 1.125
112	8112208	Plastic Standoff	164	8112098	Cone, Small 40 Mm Id
113	8301084	Kep Nuts #8-32	165	8112099	Cone, Medium 40 Mm Id
114	8112081	Power Supply	166	8112100	Cone, Large 40 Mm Id
115	81122001	Cable Assy	167	8112101	Adapter, Large 40 Mm Id
116	8112082	Main Cpu Board	168	8112102	Ring, No Mar 40 Mm Id
117	8112083	112083 Motor Controller	169		
118	8112223	Heat Sink	170	8112103	Nut, Hub 40 Mm Id
119	8301063	#6-32 Phms	171	8112107	Spring, Back Cone 40 Mm Id
120	8301092	#8-32 X 1/2" Lg Phms	172	8112106	Pressure Cup 40 Mm Id
121	8301066	6-32 Nut	174	8112114	Retainer, Pressure Cup
122	3420	#6 Washer	175	8112132	Painted Weight Tray Support
123	8112224	Wiring - Jumper For 3 Phase	176	8112001	Chassis, Painted
124	8112207	Wiring Assy P.S. To Motor Control	177	8110430	Motor Cradle/Dampner - Assembly
125	8112319	Wire Assembly, Ground	178	8111537	Coats Accessory Catalog
126	8112236	Capacitor Washer	179	8112095	Owners Manual
127	8112240	Wire Assy - Fan	181	8112268	Sliding Weight Tray
128	8112209	Wiring Harness, Chassis	182	8112260	Accessory Side Tray
129	8112084	Vibration Isolators	183	8112190	Rubber Shelf Pad
130	8112206	Wiring Harness, Pod	184	8112255	Plastic Cover, Side Tray
131	8112161	Motor Cover /Shield Assembly	185	8112196	Panel Assembly, Pod Tube Backing
132	8305802	Switch, On/Off	186	8112189	Pad - Panel Pod Tube Backing
133	8112091	Machine, Hold Down	187	8112199	Sleeve, Accessory Peg
134	8109950	3/8 Washer, Flat Nylon	188	8112356	Capacitor, Assembly 230v, 1" Only
135	8112152	3/8-16 X 1 1/4 Lg Whcs	189	8112352	Capacitor Kit
136	8112129	Assembly, Face Plate/Stub Shaft 1.125 Id	190	8112120	Large Clamp
137	8112121	3/8-16 X 6"Lg Shcs	**	8112414	Magnet
138	8309011	Wheel Calipers	**	8112415	Magnet Spacer
139	8112167	Cone, Small 1.125 Id	**	8112373	Switch Cover
140	8112168	Cone, Medium 1.125 Id			
141	8112169	Cone, Large 1.125 Id			
142	8112170	Adapter, Large 1.125 Id			
143	8308105	Ring, No Mar 1.125 Id			
144	8111515	Tool, Wheel Weight			
145	8110543	Nut, Hub 1.125 Id			
146	8308820	Spring, Back Cone 1.125 Id			
147	8110542	Pressure Cup 1.125 Id			
148	8109947	Magnet, Hood Stop			
149	8111447	5/16-18 Nylon Bolt			
151	8109950	3/8 Washer, Flat Nylon			

Note: ** used on models with interlock switch produced as of 1/98

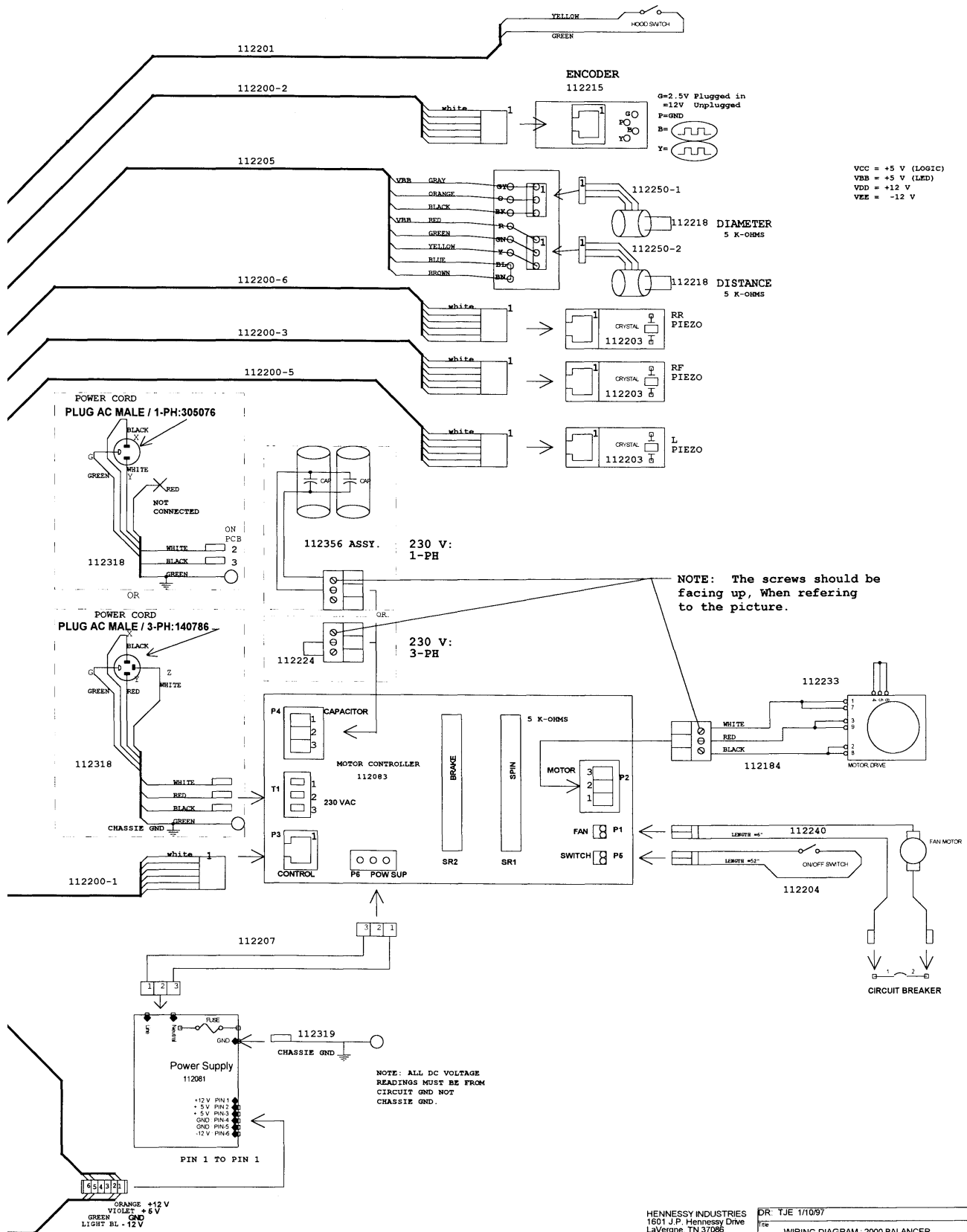
Direct Drive

IBS 2000 Wiring Diagrams



Direct Drive

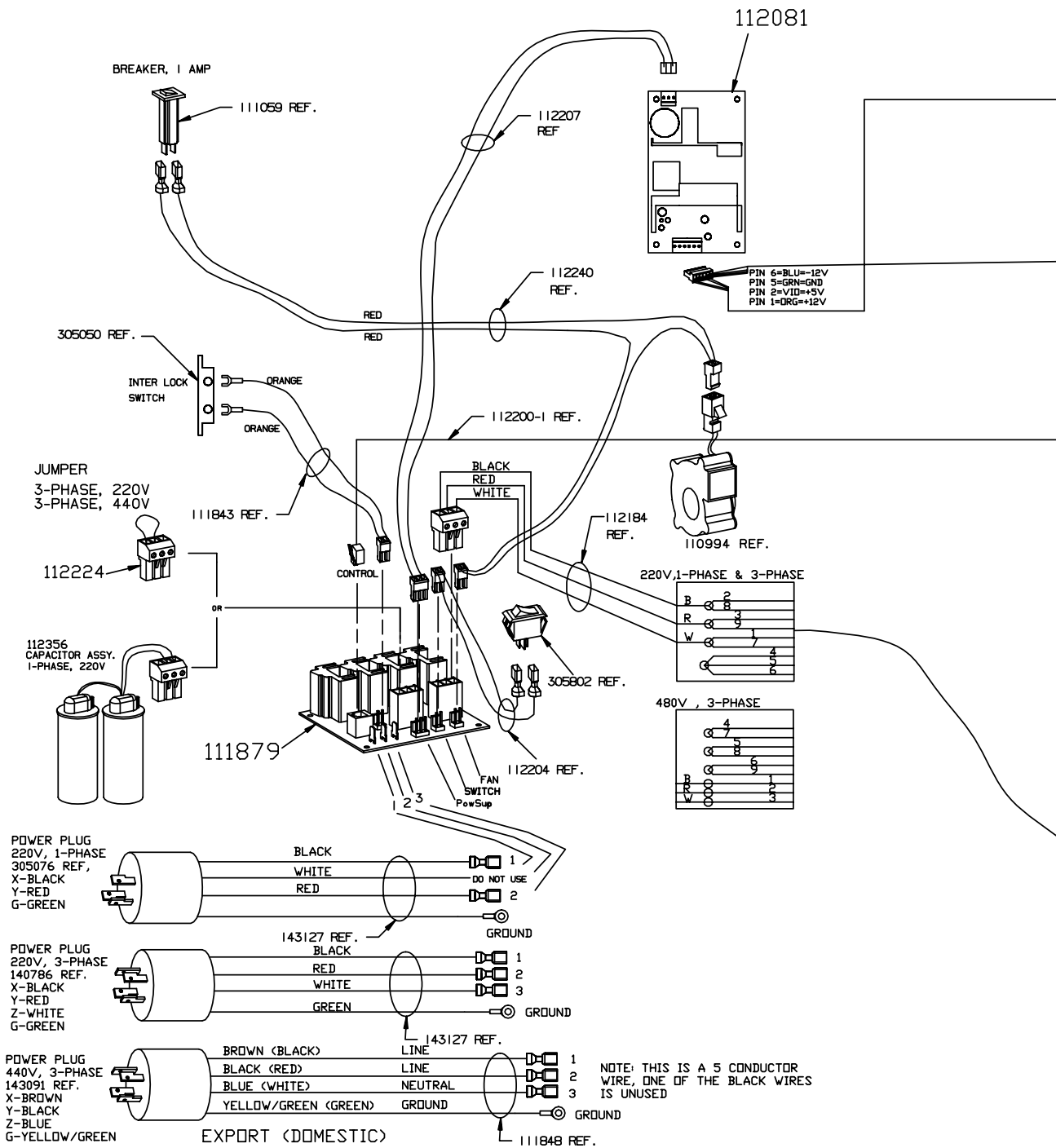
REVISION				
SVM	CHG BY	DATE	CHK BY	DATE
0			RELEASE	17168



HENNESSY INDUSTRIES
 1601 J.P. Hennessy Drive
 LaVergne, TN 37086
 PH: 615-641-7533

DR: TJE 1/10/97	Title	
	WIRING DIAGRAM - 2000 BALANCER	
Rev: 8	Document Number	Rev: 0
	112268	
Date: Friday, May 29, 1997	Sheet	1 of 1

Direct Drive



Direct Drive

