

COATS®

H.I.T. 9000

Truck Tire Changer



Parts Identification

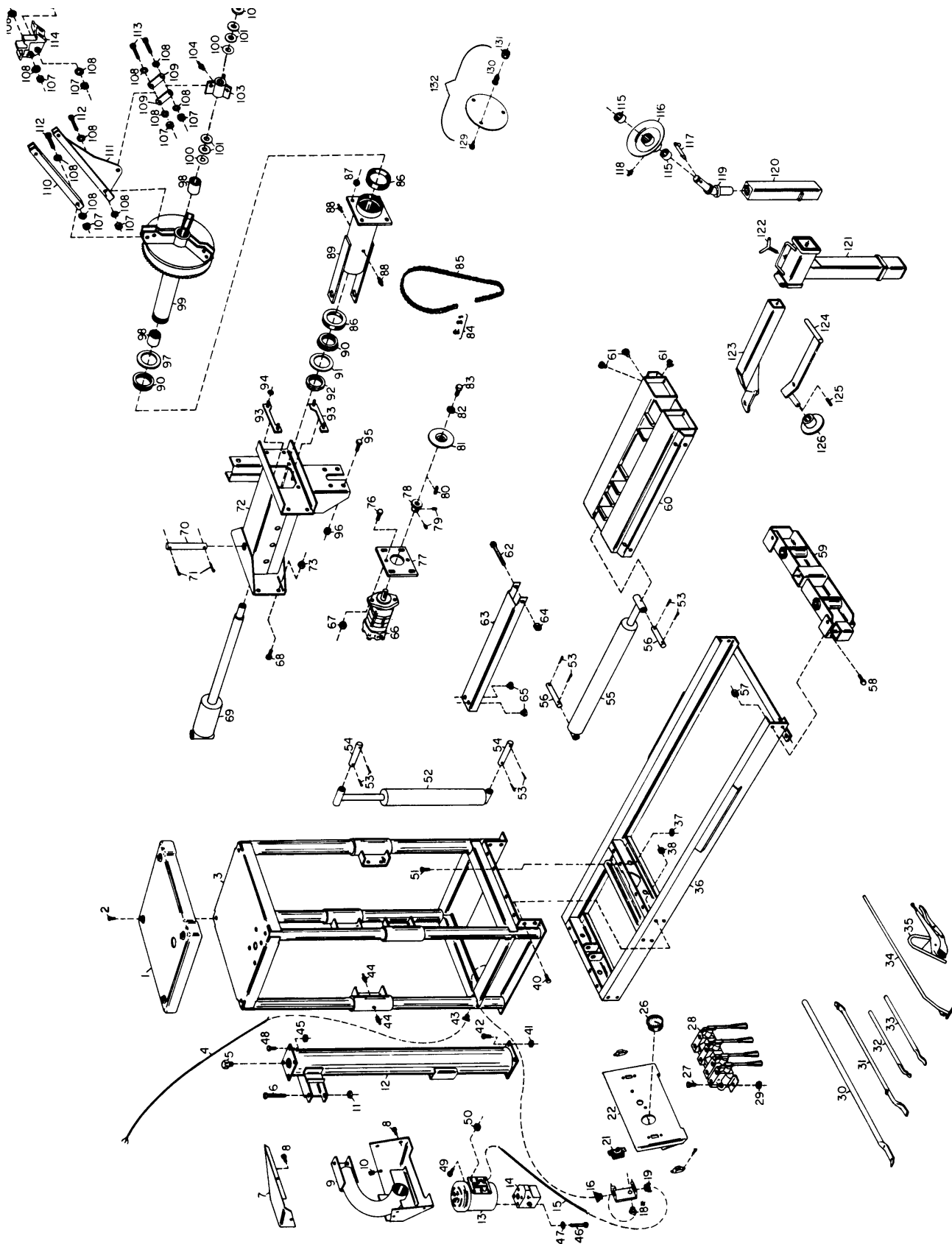
READ these instructions before placing unit in service KEEP these and other materials delivered with the unit in a binder near the machine for ease of reference by supervisors and operators.

HENNESSY INDUSTRIES, INC.

HENNESSY INDUSTRIES INC. Manufacturer of AMMCO®, COATS® and BADA® Automotive Service Equipment and Tools.

Manual Part No.: 9110848 01
Revision: 04/01

Parts Identification



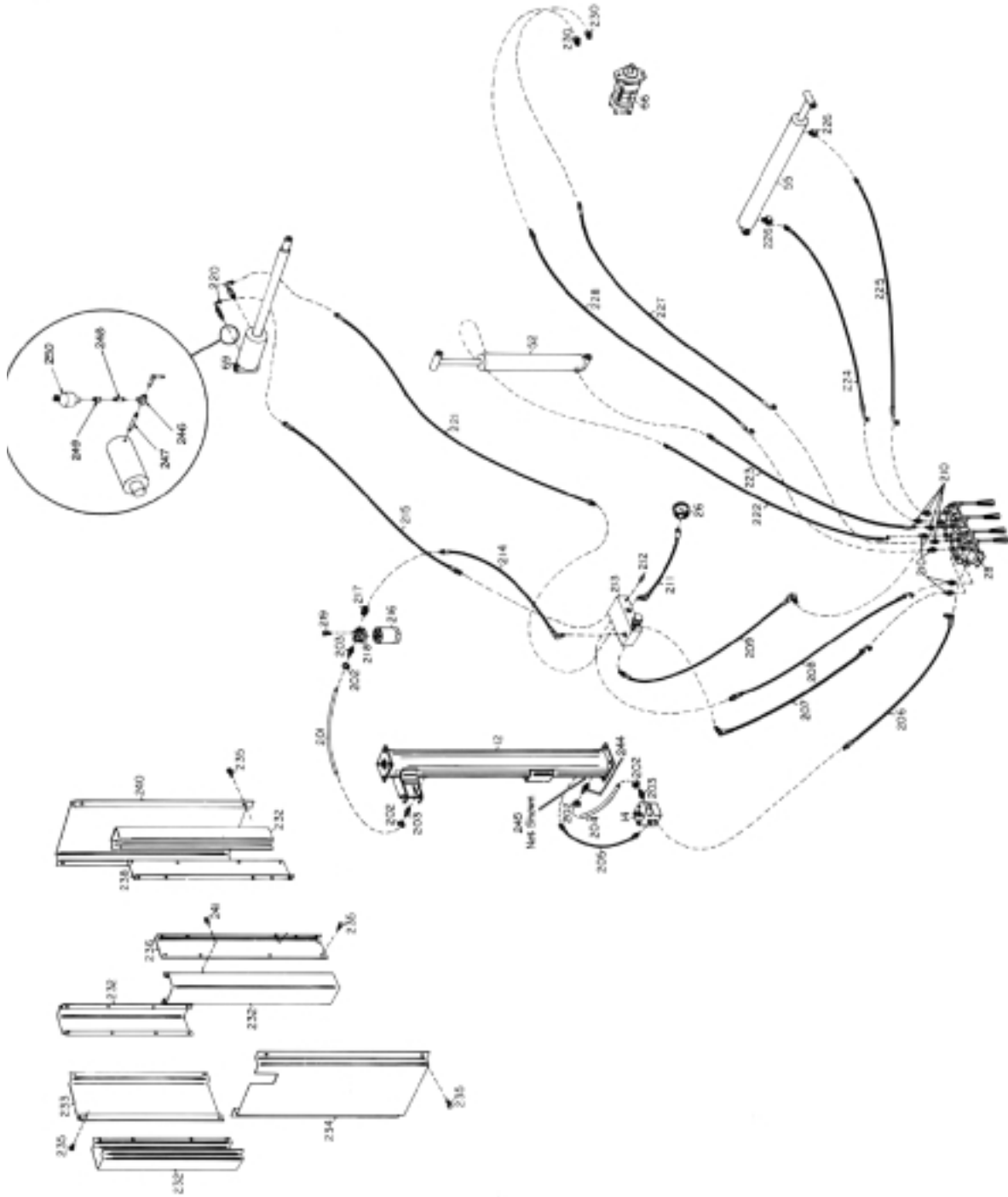
Parts Identification

Ref	Part No.	Description	Ref	Part No.	Description
1	8109266	Plastic Top	115	8109287	Bushing Disk
2	8106301	1/4" Hex Washer HD Self-Tap Screw	116	8109245	Disk W/C
3	8110835	Cage W/C	117	8109304	Cotterless Pin
4	8109337	Power Cord 1Ph	118	8109348	Grease Fitting
5	8109595	Power Cord 3Ph	119	8109235	Disk Shaft W/C
6	8120292	Breather Cap	120	8110850	Disk Tube W/C
7	8109501	1/2-13 x 5-1/2 HHCS	121	8110851	Tractor Tire Combo Tee
8	8109274	Pod Top	122	8110849	Combo Tee W/C
9	8106301	1/4" Hex Washer HD Self-Tap Screw	122	8109285	Locking Handle W/C
10	8109119	Pod W/C	123	8110837	Combo Tool w/Assembly
11	8106304	1/4" Tinnerman	124	8109358	Arm Weldment
12	8120458	1/2-13 Hex Lock Nut	125	8109359	Spring Pin 3/16 x 1-1/2
13	8109115	Reservoir W/C	126	8109360	Roller
14	8108976	Electric Motor 1 Ph	129	8109533	3/4-16 x 1-1/4 HHCS
15	8109592	Electric Motor 3 Ph	130	8109534	Stud
16	8108969	Hydraulic Pump	131	8109535	1-1/8-16 Cap Nut
17	8109338	Cord Motor 1 Ph	132	8110853	Budd Wheel Adapter
18	8150128	Cable Connector			
19	8150128	Cable Connector			
20	8109339	Switch 1 Ph			
21	8110184	Switch 3 Ph			
22	8109199	Pod Front			
26	8109226	Pressure Gauge			
27	8120325	Bolt 5/16-1" 18 NC			
28	8108977	Hydraulic Control Valve			
29	8181183	5/16-18 Nylon Insert Lock Nut, Gr.5			
30	8120334	Spade Tool			
31	8109342	Tire Iron Lock Tubeless			
32	8109343	Tire Iron Lock Ring			
33	8109344	Tire Iron Drop Center			
34	8109345	Bead Starting Tool			
35	8109346	Vise Grip			
36	8110832	Frame W/C			
37	8106303	3/8-16 Whiz Lock Nut			
38	8106303	3/8-16 Whiz Lock Nut			
40	8105131	3/8-16 x 1-1/4 Self-Tap Bolt			
41	8106303	3/8-16 Whiz Lock Nut			
42	8120472	3/8 x 2 HHCS			
43	8150128	Cable Connector			
44	8109348	Grease Fitting			
45	8106303	3/8-16 Whiz Lock Nut			
46	8109349	5/16 x 3-1/4 HHCS			
47	8120421	5/16 Lock Washer			
48	8106302	3/8-16 x 7/8 Ser Wash HD Screw			
49	8106302	3/8-16 x 7/8 Ser Wash HD Screw			
50	8106302	3/8-16 Whiz Lock Nut			
51	8106302	3/8-16 x 7/8 Ser Wash HD Screw			
52	8108966	Vertical Cylinder			
53	8103006	Cotter Pin			
54	8109276	Pivot Pin Cylinder			
55	8108967	Carriage Cylinder			
56	8109276	Pivot Pin Cylinder			
57	8106303	3/8-16 Whiz Lock Nut			
58	8110070	3/8-16 x 1-1/4 Self-Tap Bolt			
59	8109118	Front Bulkhead W/C			
60	8110838	Carriage W/C			
61	8109212	Carriage Rub Button			
62	8140882	3/8 x 3-3/4 HHCS			
63	8109208	Carriage Cylinder Cover			
64	8301035	3/8-16 UNC Nylock Hex Nut			
65	8109350	Rub Button			
66	8109808	Hydraulic Motor Single-Speed			
67	8301122	1/2-13 UNC Nylock Hex Nuts			
68	8106302	3/8-16 x 7/8 Ser Wash HD Screw			
69	8109122	Clamp Cylinder			
70	8109280	Pin Chuck Cylinder			
71	8107139	Hitch Pin			
72	8109147	Torque Box W/C			
73	8106303	3/8-16 Whiz Lock Nut			
76	8120063	1/2-13 x 1-3/4 Ser Washer HD Screw			
77	8109224	Hydraulic Motor Mounting Plate			
78	8109803	Sprocket Small			
79	8180217	5/16-18 x 3/8" SHCS Gr5			
80	8109353	Key			
81	8109273	Guard Drive Sprocket			
82	8301032	3/8 Flat Washer, Zinc Plate			
83	8109354	3/8 x 3/4 HHCS			
84	8109806	Master Link			
85	8109805	Chain			
86	8109172	Outer Bearing Race			
87	8301122	1/2-13 UNC Nylock Hex Nuts			
88	8109348	Grease Fitting			
89	8109173	Bearing Housing W/C			
90	8109162	Inner Bearing Race			
91	8109124	Washer Chuck Pivot			
92	8109131	Spanner Nut			
95	8120063	1/2-13 x 1-3/4 Ser Washer HD Screw			
96	8301122	1/2-13 UNC Nylock Hex Nuts			
97	8109124	Washer Chuck Pivot			
98	8111657	Bushing Sprocket Tube			
99	8110127	Chuck-Sprocket Tube W/C			
100	8109294	Shim Clamp Spider .015			
101	8109295	Shim Clamp Spider .030			
102					
103	8109116	Clamp Actuator w/Assembly			
104	8109348	Grease Fitting			
105	8109210	Washer Front Clamp Spider			
106	8109357	5/8" x 1 HHCS			
107	8101039	Chuck Washer			
109	8108974	Link Cylinder Pivot			
110	8108970	Link Clamp			
111	8109117	Clamp Strut w/Assembly			
112	8109307	Bolt Chuck Face			
113	8109308	Bolt Chuck Claw			
114	8110829	Jaw Clamp			

ITEMS NOT SHOWN:

Ref	Part No.	Description
133	8110852	Offset Roller
134	8110842	Ramp
135	8110841	Carriage Lock Pin
136	8110652	Earth Mover Bead Loosener Shaft

Ref	Part No.	Description
201	8109361	Hose Filter to Reservoir
202	8109362	Hose Clamp
203	8109363	Fitting
204	8109364	Hose Reservoir to Pump
205	8109365	Hose Pump Pressure Relief
206	8109366	Hose Pump to Valve
207	8109367	Clamping Hose Valve (Rear)
208	8109368	Clamping Hose Valve (Front)
209	8109369	Hose Valve to Chuck Valve
210	8109370	Adapter Fitting
211	8109371	Hose - Gauge
212	8190134	1/4-20 x 3/4 Hex Hd Cap Scr Gr.5
213	8109225	Check Valve Block
214	8109571	Hose Check Valve Block to Filter
215	8109569	Hose Clamp Cylinder Rear
216	8120222	Filter Element
217	8109387	Reducer
218	8109388	Filter Head
219	8106301	1/4" Hex Washer HD Self-Tap Screw
220	8109374	90° Tube Fitting
221	8109570	Hose Clamp Cylinder (Front)
222	8109376	Vertical Cylinder Hose Top
223	8109377	Vertical Cylinder Hose Bottom
224	8109378	Carriage Cylinder Hose (Rear)
225	8109379	Carriage Cylinder Hose (Front)
226	8109380	90° Fitting
227	8109382	Hose Hydraulic Motor
228	8109383	Hose Hydraulic Motor
230	8109389	Reducer
232	8110854	Corner Panel Side
233	8109108	Panel Rear
234	8109106	Panel Side Operator Side
235	8106301	1/4" Hex Washer HD Self-Tap Screw
236	8109609	Front Panel Operator Side
239	8109262	Front Panel Opposite Operator Side
240	8109107	Panel Side Opposite Operator
241	8106304	Tinnerman
244	8110407	1/2" NPT x 1/2" Hose Fitting
245	8110406	3/4-1/2" Strainer
246	8109011	Hydraulic Tee 1/4" NPT
247	8109013	Hydraulic Nipple 1/4" NPTx 4" Lg
248	8109012	Hydraulic Nipple 1/4" NPTx 2" Lg
249	8109010	Adapter 1/4 NPT/#6 SAE Ftg
250	8109009	Accumulator



When ordering parts always give the following information:
(1) Part Number (2) Description (3) Serial Number of Your Machine