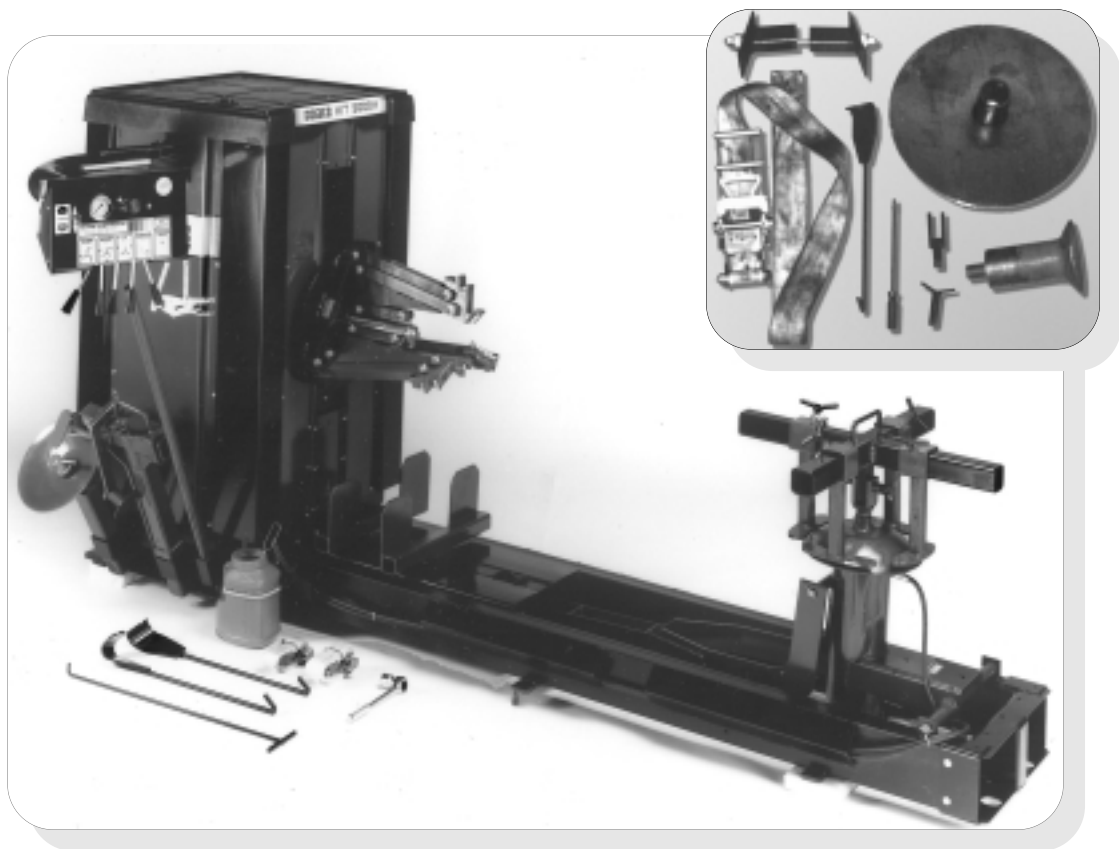


# COATS®

## H.I.T. 5000H2

# TRUCK TIRE CHANGER



### *Parts Identification*

READ these instructions before placing unit in service KEEP these and other materials delivered with the unit in a binder near the machine for ease of reference by supervisors and operators.

**HENNESSY INDUSTRIES, INC.**

HENNESSY INDUSTRIES INC. Manufacturer of AMMCO®, COATS® and BADA® Automotive Service Equipment and Tools.

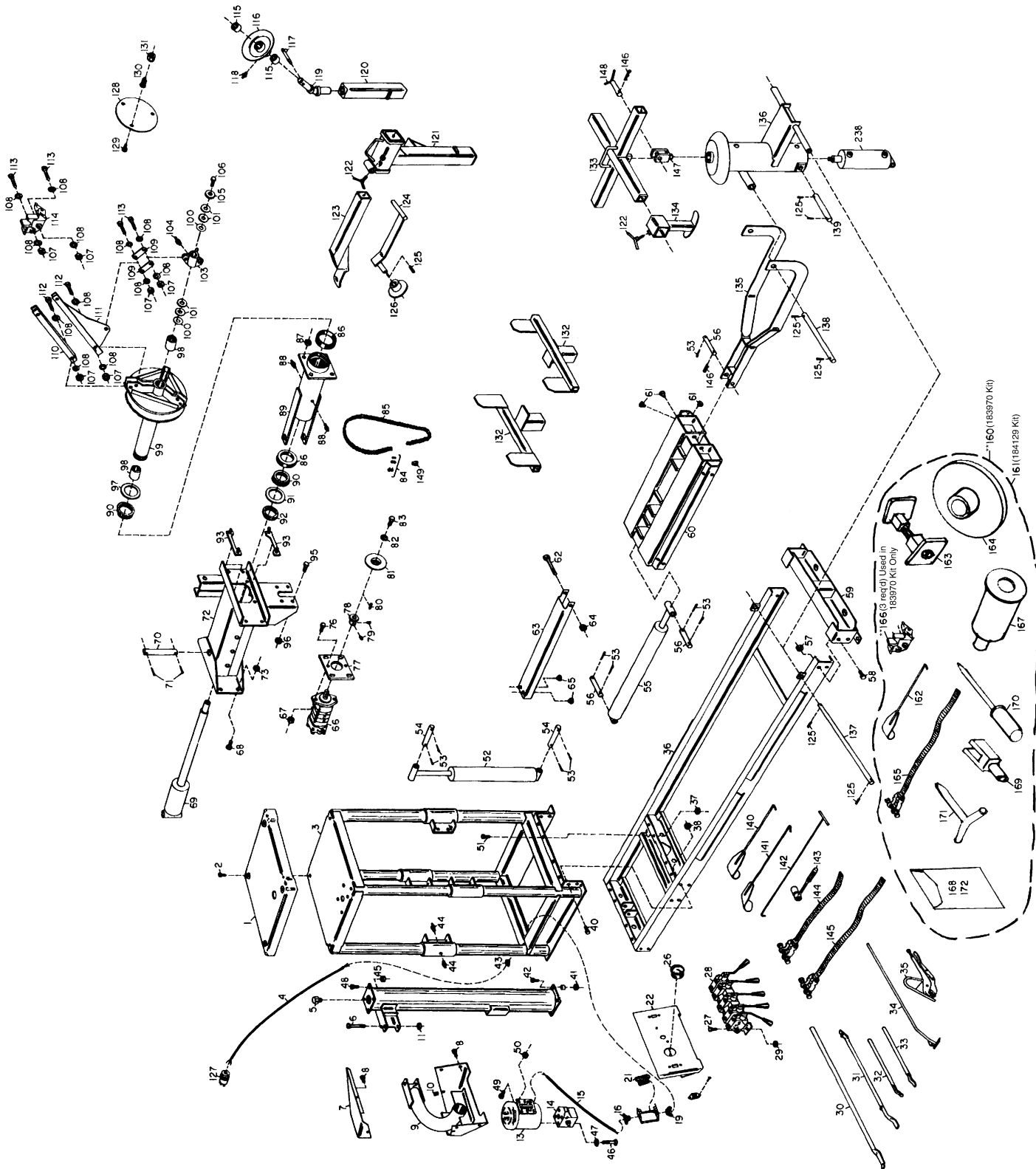
Manual Part No.: 8184120 01  
Revision: 04/01

# Contents

## Table of Contents

<b>Main View</b> .....	<b>.4</b>
<b>Main Parts Listing</b> .....	<b>.5</b>
<b>Hydraulics View</b> .....	<b>.6</b>
<b>Hydraulics Parts Listing</b> .....	<b>.7</b>

# H.I.T. 5000H2

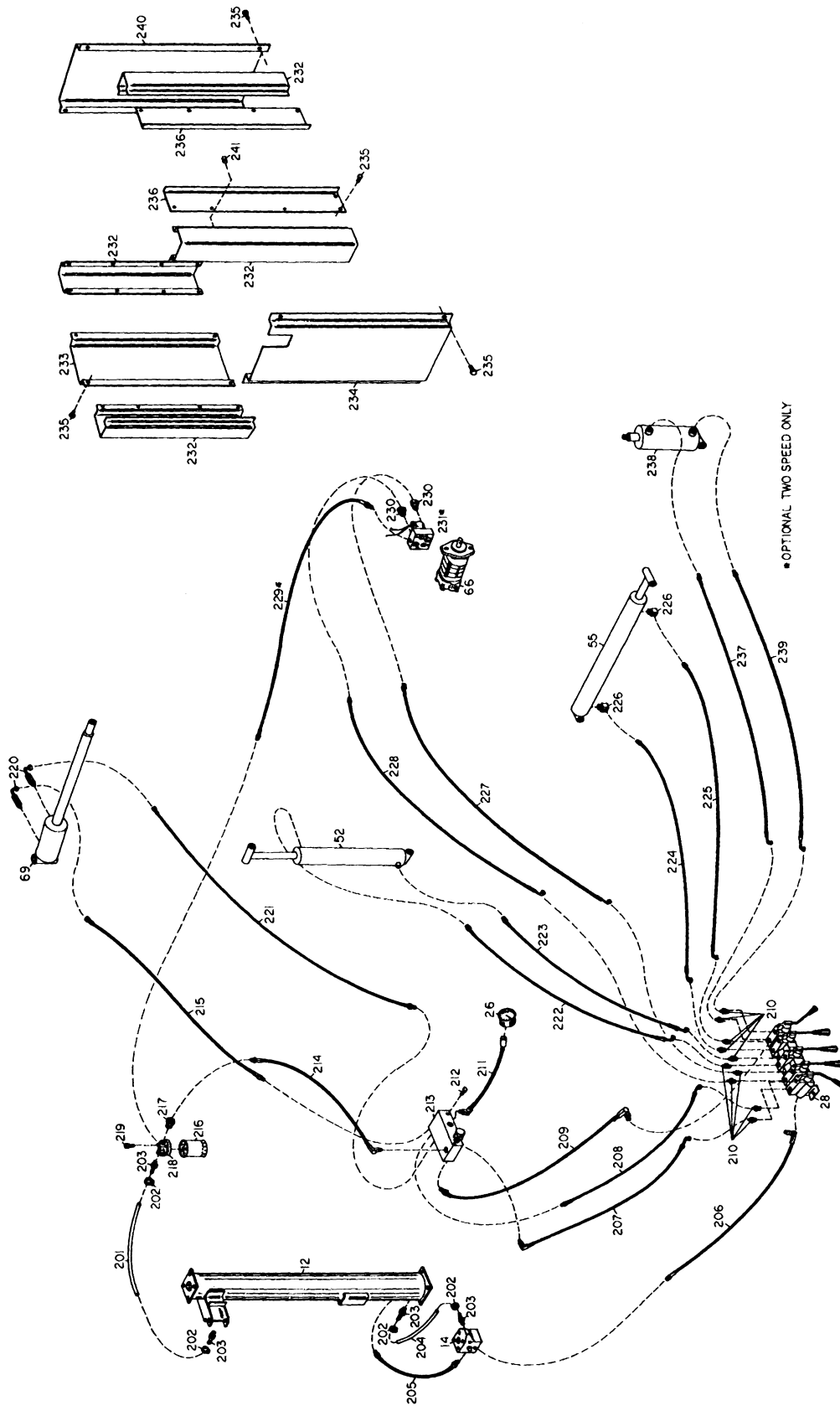


# H.I.T. 5000H2

Ref	Part No.	Description	Ref	Part No.	Description	Ref	Part No.	Description
1	8109266	Plastic Top	57	8106303	3/8-16 Whiz Lock Nut	117	8109304	Cotterless Pin
2	8106301	1/4" Hex Washer HD Self-Tap Screw	58	8110070	3/8-16 x 1-1/4 Self-Tap Bolt	118	8109348	Grease Fitting
3	8109111	Cage W/C	59	8109628	Front Bulkhead W/C	119	8109235	Disk Shaft W/C
4	8109337	Power Cord 1 Ph	60	8111085	Carriage W/C	120	8110850	Disk Tube W/C
4	8109595	Power Cord 3 Ph	61	8109212	Carriage Rub Button	121	8110851	Tractor Tire Combo Tee
5	8120292	Breather Cap	62	8140882	3/8 x 3-3/4 HHCS	121	8110849	Combo Tee W/C
6	8143816	3/8" x 5-12Breather Cap HHCS	63	8109208	Carriage Cylinder Cover	122	8109285	Locking Handle W/C
7	8109274	Pod Top	64	8301035	3/8-16 UNC Nylock Hex Nut	123	8110837	Combo Tool w/Assembly
8	8106301	1/4" Hex Washer HD Self-Tap Screw	65	8109350	Rub Button	124	8109358	Arm Weldment
9	8109119	Pod W/C	66	8108975	Hydraulic Motor Single-Speed	125	8109359	Spring Pin 3/16 x 1-1/2
10	8106304	1/4" Tinnerman	66	8109385	Hydraulic Motor Two-Speed	126	8109360	Roller
11	8000516	3/8-16 Hex Lock Nut	67	8301122	1/2-13 UNC Nylock Hex Nuts	127	8305076	Power Plug 220V, Single Ph
12	8109115	Reservoir W/C	68	8106302	3/8-16 x 7/8 Ser Wash HD Screw	127	8110125	Power Plug 110V, Single Ph
13	8108976	Electric Motor 1 Ph	69	8109122	Clamp Cylinder	128	8109567	Wheel Adapter W/C
13	8109592	Electric Motor 3 Ph	70	8109280	Pin Chuck Cylinder	129	8109533	3/4-16 x 1-1/4 HHCS
14	8108969	Hydraulic Pump	71	8107139	Hitch Pin	130	8109534	Stud
15	8109338	Cord Motor 1 Ph	72	8109147	Torque Box W/C	131	8109535	1-1/8-16 Cap Nut
15	8109595	Cord Motor 3 Ph	73	8106303	3/8-16 Whiz Lock Nut	132	8109325	Tire Guide W/C
16	8150128	Cable Connector	74	8109351	Two-Speed Motor Block	133	8109411	Pressure Cross W/C
18	8150128	Cable Connector	75	8109352	3/8 x 2-1/4 NF HHCS	134	8109412	Sliding Arm W/C
19	8150128	Cable Connector	76	8120063	1/2-13 x 1-3/4 Ser Washer HD Screw	135	8109324	Linkage W/C
21	8109339	Switch 1 Ph	77	8109224	Hydraulic Motor Mounting Plate	136	8109312	Table W/C
21	8110184	Switch 3 Ph	78	8109234	Sprocket Small	137	8109315	Shaft Pivot Table
22	8109199	Pod Front	79	8180217	5/16-18 x 3/8" SHCS Gr5	138	8109318	Shaft - Upper Pivot
23	8109340	Cord - Two-Speed Switch	80	8109353	Key	139	8109319	Lower Cylinder Pin
24	8150128	Cable Connector	81	8109273	Guard Drive Sprocket	140	8109332	Spreader RH W/C
25	8150128	Cable Connector	82	8301032	3/8 Flat Washer, Zinc Plate	141	8109333	Spreader LH W/C
26	8109226	Pressure Gauge	83	8109354	3/8 x 3/4 HHCS	142	8109403	Release Rod W/C
27	8120325	Bolt 5/16-1" 18 NC	84	8109355	Master Link	143	8109621	Ratchet & Socket
28	8109334	Hydraulic Control Valve	85	8109356	Chain	144	8109406	Strap (Short)
29	8181183	5/16-18 Nylon Insert Lock Nut, Gr.5	86	8109172	Outer Bearing Race	145	8109407	Strap (Long)
30	8120334	Spade Tool	87	8301122	1/2-13 UNC Nylock Hex Nuts	146	8109425	Hair Pin
31	8109342	Tire Iron Lock Tubeless	88	8109348	Grease Fitting	147	8109625	Cylinder Clevis
32	8109343	Tire Iron Lock Ring	89	8109173	Bearing Housing W/C	148	8109626	Pin Cylinder Clevis
33	8109344	Tire Iron Drop Center	90	8109162	Inner Bearing Race	149	8109565	1/2 Link
34	8109345	Bead Starting Tool	91	8109124	Washer Chuck Pivot	**160	8183970	Kit - LAVIII Adapter w/Clamps
35	8109346	Vise Grip	92	8109131	Spanner Nut	161	8184129	Kit - LAVIII Adapter w/o Clamps
36	8109480	Frame W/C	95	8120063	1/2-13 x 1-3/4 Ser Washer HD Screw	162	8183967	Spreader - Straight, LAVIII
37	8106303	3/8-16 Whiz Lock Nut	96	8301122	1/2-13 UNC Nylock Hex Nuts	163	8183959	Wing Set - LAVIII
38	8106303	3/8-16 Whiz Lock Nut	97	8109124	Washer Chuck Pivot	164	8183971	End Plate - LAVIII
39	8109337	Cord - Two-Speed Motor Block	98	8109171	Bushing Sprocket Tube	165	8183972	4" Strap and Buckle Assembly
40	8110070	3/8-16 x 1-1/4 Self-Tap Bolt	99	8109164	Chuck-Sprocket Tube W/C	**166	8110829	Clamp Jaws (3 Req'd)
41	8106301	1/4" Hex Washer HD Self-Tap Screw	100	8109294	Shim Clamp Spider .015	167	8110852	Offset Roller
42	8120472	3/8 x 2 HHCS	101	8109295	Shim Clamp Spider .030	168	8184120	Parts List - HIT 5000H2
43	8150128	Cable Connector	102			169	8184047	Yoke - Ram Extension
44	8109348	Grease Fitting	103	8109116	Clamp Actuator w/Assembly	170	8184125	Screwdriver - KD Tool
45	8106303	3/8-16 Whiz Lock Nut	104	8109348	Grease Fitting	171	8109626	Locking Pin, Cylinder Ext.
46	8109349	5/16 x 3-1/4 HHCS	105	8109210	Washer Front Clamp Spider	172	8184121	Operating Instr. - HIT 5000H2
47	8120421	5/16 Lock Washer	106	8109357	5/8" x 1 HHCS	ITEMS NOT SHOWN:		
48	8106302	3/8-16 x 7/8 Ser Wash HD Screw	107	8101039	1/2-13 Lock Nut	Ref	Part No.	Description
49	8106302	3/8-16 x 7/8 Ser Wash HD Screw	109	8108974	Link Cylinder Pivot	150	8110852	Offset Roller
50	8106303	3/8-16 Whiz Lock Nut	110	8108970	Link Clamp	151	8110841	Carriage Lock Pin
51	8106302	3/8-16 x 7/8 Ser Wash HD Screw	111	8109117	Clamp Strut w/Assembly	152	8110652	Earth Mover Bead Loosener Shaft
52	8108966	Vertical Cylinder	112	8109307	Bolt Chuck Face			
53	8103006	Cotter Pin	113	8109308	Bolt Chuck Claw			
54	8109276	Pivot Pin Cylinder	114	8110829	Jaw Clamp			
55	8108967	Carriage Cylinder	115	8109287	Bushing Disk			
56	8109276	Pivot Pin Cylinder	116	8109288	Disk W/C			

\* Indicates Accessory Item \*\* Clamp Jaws in 8183970 Kit Only

# H.I.T. 5000H2



# H.I.T. 5000H2

Ref	Part No.	Description
201	8109361	Hose Filter to Reservoir
202	8109362	Hose Clamp
203	8109363	Fitting
204	8109364	Hose Reservoir to Pump
205	8109365	Hose Pump Pressure Relief
206	8109366	Hose Pump to Valve
207	8109367	Clamping Hose Valve (Rear)
208	8109368	Clamping Hose Valve (Front)
209	8109369	Hose Valve to Chuck Valve
210	8109370	Adapter Fitting
211	8109371	Hose - Gauge
212	8190134	1/4-20 x 3/4 Hex Hd Cap Scr Gr.5
213	8109225	Check Valve Block
214	8109571	Hose Check Valve Block to Filter
215	8109569	Hose Clamp Cylinder Rear
216	8120222	Filter Element
217	8109387	Reducer
218	8109338	Filter Head
219	8106301	1/4" Hex Washer HD Self-Tap Screw
220	8109374	90° Tube Fitting
221	8109570	Hose Clamp Cylinder (Front)
222	8109376	Vertical Cylinder Hose Top
223	8109377	Vertical Cylinder Hose Bottom
224	8109378	Carriage Cylinder Hose (Rear)
225	8109379	Carriage Cylinder Hose (Front)
226	8109380	90° Fitting
227	8109382	Hose Hydraulic Motor
228	8109383	Hose Hydraulic Motor
229	8109384	Hose Hydraulic Motor to Filter
230	8109389	Reducer
231	8109351	Two-Speed Motor Block
232	8109105	Corner Panel Side
233	8109108	Panel Rear
234	8109106	Panel Side Operator Side
235	8106301	1/4" Hex Washer HD Self-Tap Screw
236	8109261	Front Panel Operator Side
237	8109336	Hose #16
238	8109311	Table Cylinder
239	8109335	Hose #15
240	8109107	Panel Side Opposite Operator
241	8143813	Tinnerman
244	8110407	1/2" NPT x 1/2" Hose Fitting
245	8110406	3/4 - 1/2" Strainer
246	8109011	Hydraulic Tee 1/4" NPT
247	8109013	Hydraulic Nipple 1/4" NPT x 4" Lg
248	8109012	Hydraulic Nipple 1/4" NPT x 2" Lg
249	8109010	Adapter 1/4 NPT/#6 SAE Ftg
250	8109009	Accumulator

