

COATS®

6060 AX/EX Tire Changer

For servicing single piece automotive and most light truck tire/wheel assemblies



Parts Identification

READ these instructions before placing unit in service KEEP these and other materials delivered with the unit in a binder near the machine for ease of reference by supervisors and operators.

HENNESSY INDUSTRIES, INC.

HENNESSY INDUSTRIES INC. Manufacturer of AMMCO®, COATS® and BADA® Automotive Service Equipment and Tools.

Manual Part No.: 8182973 15
Revision: 02/99

Ref	Part #	Description	Ref	Part #	Description	Ref	Part #	Description
1	8181929	Skt. Hd. Cap Scr., 3/8-16 x 1", Gr.8	51	8181918	Bar-Valve Brkt. Spacer	92	8182707	Side Panel (Metal)
2	8181704	Table Top Plate	52	8181984	1/4 x 1-1/4 Hex Hd Cap Screw, Gr.5	92	8182477	Side Panel (Plastic)
3	8182024	Ball Ø1/4", Steel	53	8181983	Button Hd Soc Cap Screw 10-24 x 5/8, Gr.8	93	8181949	Clevis Pin-5/8 x 1-3/8
4	8182025	Inflation Nozzle	54	8182957	Switch-Reversing	94	8183312	B.L. Cylinder Assembly
5	8181677	Rim Clamp	55	8182682	10-24 Nylon Insert Lock Nut Gr.5	95	8181912	Clip, Clevis
6	8181907	Clamp Carrier - Cyl. End	56	8181959	Cover-Switch	96	8182016	3/4"-10 Gr.5 Nylon Insert Lock Nut
7	8183476	Roll Pin - Ø1/4" x 3/4"	57	8182682	10-24 Nylon Insert Lock Nut Gr.5	97	8183778	Decal - Lubrication Notice
8	8182033	3/4-10 Hex Jam Nut	58	8181708	Extension Spring, Pedal	98	8180558	Key-Motor
9	8181904	Link Bolt - Table Top	59	8183031	Bracket-Valve Mounting	99	8181100	Motor 1PH 115 Volt 60Hz
10	8181734	Pivot Link W/C	60	8181989	10-24 x 3/8 Socket Head Cap Screw, Gr.8	100	8120325	5/16-18 x 1 Ser. Wash.Hd.Scr., Gr.5
11	8181731	Pivot Plate - Table Top	61	8182627	Cap Plug - 1-5/8" Dia.	101	8120455	10-24 Self Tap Screw, Gr.2
12	8181733	Pivot Block	62	8182358	Spacer-Pedal	102	8182040	10MM x 55MM Hex Hd.Cap Scr, Gr.5
13	8183452	Flange Whiz-lock Scr, 5/16-18x5/8"	63	8182332	Guard-Foot Pedal	103	8301032	3/8 Flat Washer, Zinc Plate
14	8181906	Carrier/Cover - Clamp	64	8106301	1/4" Hex Hd Self Tap Screw, Gr.5	104	8107715	3/8-16 x 1-1/4 Hex Hd. Cap Scr, Gr.8.8
15	8101039	Nut - Lock, 1/2", Gr.5	65	8102459	3/8" Self Tap Screw Gr.5	105	8182041	Chassis
16	8181634	Cylinder Assembly-Table Top	66	8181948	Bearing-Nylon, 1/2"	106	8182088	5/16 x 1 Torx Screw, Gr.5
17	8101039	Nut - Lock, 1/2", Gr.5	67	8120469	Hair Pin Cotter	107	8181855	Center pad-B.L.
18	8181742	16MM x 40mm Hex Head Bolt Gr.10.9	69	8107635	5/16" Flat Washer	108	8182318	Spring, Compression
19	8182979	Washer - Molded, Ø16mm	70	8181675	Pedal, Standard	109	8301072	#6 Internal Tooth Lk Washer
20	8181990	Spider Assembly	71	8181981	Wave Washer, 5/16" I.D.	110	8182011	5/8-11 x 5" Hex Hd Cap Scr, Gr.5
21	8182619	Rotary Coupling Assembly	72	8181696	Lever-Cam Follower	111	8181953	B.L. Shoe, Handle & Pivot W/C
22	8182612	Nut - Hex, 12MM, Gr.8.8	73	8183399	Clevis Pin 3/16" x 1-1/2"	112	8182043	5/8-11 Nylon Insert Lock Nut Gr.5
23	8182670	Spring Stop Bracket	74	8181948	Bearing-Nylon, 1/2"	113	8182013	#10-24 x 1-1/2" Gr5 Hx Hd Cp Scr
24	8181658	Pulley-Transmission	75	8181918	Bar-Valve Brkt. Spacer	114	8181951	B.L. SHOE Pivot Bracket
26	8182964	Kit-Transmission	76	8181851	B.L. Pad, Front	115	8181682	#10-24 Gr5 Nylon Insert Lock Nut
27	8182743	Shoulder Screw - 5/16	77	8181986	Valve, 4-Way w/Pull Pin	116	8182317	3-Way Miniature Valve
28	8183156	Washer - Ø2" X Ø2 3/4" x .010	78	8106301	1/4" Hex Hd Self Tap Screw, Gr.5	117	8182987	B.L. Handle Housing w/Fitting
29	8181699	Lever Assembly - Switch	79	8181695	Cam Mounting Block	118	8182016	3/4"-10 Gr.5 Nylon Insert Lock Nut
30	8181982	Hx.Hd.Cp.Scr., 3MM x 12mm, Gr.5	80	8181511	Motor Cable Assembly	119	8182579	3/4-10 x 5 Hex Hd. Cap Scr, Gr.5
31	8181728	Lever - Switch Actuator	81	8180560	Ground Jumper	120	8106301	1/4" H.H. Self Tap Scr., Gr.5
32	8000745	Washer - Flat, Ø1/4"	82	8143044	Tinnerman Sq. Captive Nut 3/8-16	121	8181964	Plastic Accessory Tray
33	8181369	Nut - Lock, Nyl. Ins., 1/4-20, Gr.5	83	8106303	3/8" Whiz Lock Nut, Gr.5	122	8181956	Power Cable Assembly
36	8182363	Spacer - Sw Pedal Lever-Red	84	8181931	Bracket, Motor Mounting	124	8150128	Cable Connector, 1/2"
38	8181948	Bearing-Nylon, 1/2"	85	8181183	5/16-18 Nylon Insert Lock Nut, Gr.5	125	8180237	Caution Decal
39	8181675	Pedal, Standard	86	8180046	Pulley-Motor	127	8109769	Decal, Release Valve
40	8190134	1/4-20 x 3/4 Hex Hd Cap Scr Gr.5	87	8180217	5/16-18 x 3/8" Soc.Hd.Set Screw, Gr.5	128	8104612	3/4" Ext. Tooth Lock Washer
43	8181948	Bearing-Nylon, 1/2"	88	8180047	V-Belt, Motor	129	8104610	3/4" N.F. Jam Nut Gr.5
44	8181707	Torsion Spring	89	8000491	Lube Applicator	130	8104611	5/8" N.F. Jam Nut Gr.5
45	8181872	Sleeve-Torsion Spring	90	8106259	Lube Bottle (Red)	131	8104613	5/8" Ext. Tooth Lock Washer
47	8111609	Cotter, Hair Pin	91	8182876	Lube Bottle (Black)	132	8107407	Hitch Pin Retainer
48	8183398	Pedal Shaft				133	8181933	Pedal Inflation
49	8301121	Washer				134	8102459	3/8" Self Tap Screw Gr.5
50	8181369	1/4-20 Nylon Insert Lock Nut Gr.5						

Ref	Part #	Description	Ref	Part #	Description	Ref	Part #	Description
135	8104673	Bushing (1/4" Valve)	180	8181740	SHCS 1/2-13 x 1-3/4, Gr.5	226	8182249	Carrier/Cover - Clamp Adj.
136	8104600	1/4" Valve Comp.	181	8181035	Lift Pin-Lock Plate	227	8182248	Carrier/Cover, Cylinder End, Adj.
137	8104674	Bushing (3/4" Valve)	182	8181113	1/2"-13 Jam Nut Gr.5	228	8182247	Adjustable Rim Clamp
138	8106298	3/4" Valve Ported 1/4"-18 NPT	183	8104613	5/8" Ext. Tooth Lock Washer	229	8182250	Adj. Clamp Plunger/Spring Assem.
139	8104600	1/4" Valve Comp.	184	8181788	Lock Plate	230	8182279	Adj. Clamp Link Bolt
140	8181971	Decal B.L. Handle	185	8181095	1-5/8 Snap Ring	231	8182186	Dipstick-Transmission
141	8181354	Bead Lifting Tool	186	8182820	Swing Arm	232	8182185	Tube-Dipstick
142	8181995	4-Way Valve Piloted	187	8181038	Pivot Pin-Swing Arm	233	8104611	5/8" N.F. Jam Nut Gr.5
144	8180103	3/8 x 3-1/4 Clevis Pin	188	8182028	Spring-Vertical Slide	234	8000580	Nipple - Close, 1/4 NPT
145	8107983	Plastic Fastener	189	8181095	1-5/8 Snap Ring	235	8120408	1/4-20 x 1-3/4 H.H. Cap Scr., Gr.5
146	8107517	Gauge Lens, Screw On	190	8181082	Lock Handle/Lift Cam W/C	236	8143169	1/4-20 Whiz Lock Nut, Gr.5
147	8181114	Knob Assy-Adjusting	191	8100979	Handle Grip, Black Flex 3/4 I.D.	237	8182768	Caution Decal-B.L.
148	8182364	#10-32 x 1/4 Gr.5 Bt Hd Skt Cp Scr	192	8181771	Knob-Vertical Slide	238	8182998	Regulator, 40 PSI
149	8182319	Ø3/32 X 1-1/4" Roll Pin	193	8182029	5/16-1 x 1-1/2 BH Soc Cap Scr Gr.8	300	8181988	Male Brch. Tee 1/4 NPT x 3/8 Tube
150	8107985	Flanged Air Gauge w/Fasteners	194	8183502	Manifold Bleed Valve Assembly	301	8182036	Nylon Tube 3/8 OD x 12.25" Lg
151	8109888	Inflation Warning Decal	196	8182458	Plastic Cap (Tower)	302	8182036	Nylon Tube 3/8 OD x 12.25" Lg
152	8109944	Ø1.50 ID x Ø2.43 OD Washer	198	8181172	3/4-10 x 7-12 Gr.5 Hx Hd Cp Sr.	303	8182036	Nylon Tube 3/8 OD x 12.25" Lg
153	8182373	Decal, Warning	199	8182457	Washer, 3/4"	304	8110497	Male Elbow 1/8 NPT x 1/4 Hose
154	8109944	Ø1.50 ID x Ø2.43 OD Washer	200	8182016	3/4"-10 Gr.5 Nylon Insert Lock Nut	305	8103649	Ø1/4 x 12" Hose
155	8106302	3/8" Whiz Lock Screw, Gr.5	201	8182221	Bottle Lube Bracket Clamp	306	8182036	Nylon Tube 3/8 OD x 12.25" Lg
156	8181137	3/8-16 x 2-1/4 Hex Hd.Cap Scr, Gr.5	202	8107715	3/8-16 x 1-1/4 Hex Hd. Cap Scr.Gr.5	307	8182035	Male St Fit. 1/8 NPT x 1/4 Tube
157	8106303	3/8" Whiz Lock Nut, Gr.5	203	8000240	Washer 1" OD x 13/32 ID x 3/16	308	8181988	Male Brch. Tee 1/4 NPT x 3/8 Tube
158	8106303	3/8" Whiz Lock Nut, Gr.5	204	8181932	Inflation Brkt.	309	8104684	1/4 x 8" Hose
159	8182848	Tower/Air Receiver	205	8182457	Washer, 3/4"	310	8000378	1/4" Brass St. Fitting
160	8182076	Shim Kit	206	8183770	Filter/Lube Bracket	311	8101428	Hose Clamp-1/4 I.D. Hose
161	8120424	3/8"-16 Wash Hd. Lock Nut Gr.5	207	8106301	1/4" Hex Hd Self Tap Screw, Gr.5	312	8000378	1/4" Brass St. Fitting
162	8182550	Pivot Pin, B.L. Cylinder Rod	208	8182059	Decal, Line Press Gauge	313	8181988	Male Brch. Tee 1/4 NPT x 3/8 Tube
163	8182054	Ø5/32 x 2-1/2" Cotter Pin	209	8182047	Manual Push Botton	314	8101346	3/4" Hose Clamp
164	8180230	B.L. Spring	*210	8180638	Motor Capacitor Only	315	8181349	Rotary Coupling
165	8182002	B.L. Arm	211	8235208	Motorcycle Clamp (Tail)	316	8104844	Fitting, Barbed 1/4"
166	8182009	Screw, 3/4-10 x 3 3/4" Hex Hd Cap	*212	8181619	Motorcycle Clamp Kit (Tail)	317	8181713	O-Ring Seal, Large (2-244)
167	8120326	Hitch Pin, Ø 1/2"	*213	8235740	ATV Clamp (Tail)	318	8181712	O-Ring Seal, Small (2-142)
168	8101018	Washer .392 x .687 x .0478	*214	8181891	ATV Clamp Kit (Tail)	319	8106289	Ø1/4" x 22" Hose
169	8104637	Small Bushing	*215	8108028	Tire Spreader	320	8106289	Ø1/4" x 22" Hose
170	8106302	3/8 x 1 NC Hex Hd Cap Scr, Gr.5	*216	8181329	Spreader Base-Rim Clamp	321	8104844	Fitting, Barbed 1/4"
171	8182027	Washer 7 ga. x .406 ID x 1.28 OD	*217	8435685	Drop Center Aid	322	8181986	Valve, 4-Way w/Pull Pin
172	8181914	1/4-20 x 3/16 Gr.8 Skt Hd Set Scr	218	8182976	Operator Manual (6060)	323	8181988	Male Brch. Tee 1/4 NPT x 3/8 Tube
173	8181915	Pin, Dowell M5 x 20	*219	8435203	Plastic Clamp Jaw	324	8183310	Bottom Cap, B.L. Cylinder
174	8182026	Mount/Demount Head Assembly	220	8182320	B.L. Handle/Valve Assembly	325	8182079	Seal Kit, B.L. Cylinder
175	8130026	3/8-16 x 1/2 Skt Hd Set Scr	221	8182371	Wave Washer, 1-5/8 Dia.	326	8182016	3/4" NC Locknut, Gr.5
176	8130026	3/8-16 x 1/2 Skt Hd Set Scr	*222	8182167	Lube Bottle Bracket	327	8181860	Washer-Lower, B.L. Cylinder
177	8181916	Ø.562 x .515 Roller	223	8182339	Shim Kit-Swing Arm	328	8183519	Shaft/Washer Assembly
178	8182031	Bumper-Rubber	224	8181970	B.L. Pin Location Decal	329	8181574	Barrel, B.L. Cylinder
179	8181769	Verticle Slide Shaft	225	8182725	Valve & Roll Pin Kit	330	8181862	Tie Bolt, 1/2-13 x 10-1/4" Lg,Gr.5

Ref	Part #	Description	Ref	Part #	Description	Ref	Part #	Description
331	8183309	Top Cap, B.L. Cylinder	376	8410419	Air Chuck	426	8181206	Muffler-1/2" NPT
332	8181998	Male Elbow 1/4 NPT x 3/8 Tube	8104152	Air Chuck (Special)	427	8181195	1/2" x 3/8" Reducing Elbow	
333	8181999	Male Elbow 1/4 NPT x 3/8 Tube	8105822	Hose Clamp-9/16 I.D. Hose	428	8000580	Nipple - Close, 1/4 NPT	
334	8182004	Nylon Tube 3/8" x 30" Lg.	8106289	Ø1/4" x 22" Hose	429	8181207	3/8" NPT Close Nipple	
335	8182004	Nylon Tube 3/8" x 30" Lg.	8182020	St. Fitting, 3/4" NPT x 1/4" NPT	430	8181191	Valve, Quick Exhaust	
336	8182004	Nylon Tube 3/8" x 30" Lg.	8101346	3/4" Hose Clamp	431	8181999	Male Elbow 1/4 NPT x 3/8 Tube	
337	8182812	Shaft-Vertical Slide	8181993	Hose, 3/4" x 15 1/2"	432	8181203	1/2"-1/4" Reducing Bushing	
338	8182788	Mount Demount Head Assembly	8181999	Male Elbow 1/4 NPT x 3/8 Tube	433	8181190	Airmotor, Gast. 6AM	
339	8182787	Roller .562 Diameter x .515 LG.	8181987	Fitting - Str., Brass, 1/8"	434	8182005	Nylon Tube 3/8" x 20" Lg.	
340	8182005	Nylon Tube 3/8" x 20" Lg.	8181987	Fitting, Red 1/4 NPT x 1/8 NPT	435	8182005	Nylon Tube 3/8" x 20" Lg.	
341	8182786	Ø5mm x 25mm Dowel Pin	8181996	St. Fitting, 1/8 NPT x 1/8 Tube	436	8182005	Nylon Tube 3/8" x 20" Lg.	
342	8000572	Elbow, Street, 3/4" NPT	8182007	Ø1/8" x 60" Nylon Tube	437	8106301	1/4" H.H. Self Tap Scr., Gr.5	
343	8140667	1/4-20 x 1/4 Soc.Hd.Set Scr, Gr.8	8182007	Ø1/8" x 60" Nylon Tube	438	8150441	1/4" Star Lock Washer	
344	8182813	3/8-16 x 3/4 Cter Bore Cap Scr Gr.8	8142844	1/4-20 Gr5 Hex Hd Self-Tap Scr	439	8301142	Washer, 1/4" Spring Lock	
345	8101346	3/4" Hose Clamp	8182044	Clamp Neoprene Cushion	440	8107440	1/4-20 Hex Nut Gr.5	
346	8104652	Poppet, 3/4" Valve	8101898	3/8" Hose Fitting	441	8182141	Cord-Entrance to Switch	
347	8104651	Spring, 3/4" Valve	8101428	Hose Clamp-1/4 I.D. Hose	442	8143254	Wire Joint	
348	8106350	End Cap, 3/4" Valve	8181147	Hose 3/8 x 17-1/4" Lg.	443	8182366	Close Nipple, 1/4" NPT	
*349	8182963	Bootie-Mount/Demount Head (Pkg of 12)	8101428	Hose Clamp-1/4 I.D. Hose	444	8181999	Male Elbow 1/4 NPT x 3/8 Tube	
351	8182071	Fitting, Special Male Branch Tee	8101898	3/8" Hose Fitting	445	8182367	1/4" NPT Brass Cross Fitting	
352	8000378	1/4" Brass St. Fitting	8000372	1/4" x 90° Street Ell	446	8181999	Male Elbow 1/4 NPT x 3/8 Tube	
353	8101428	Hose Clamp-1/4 I.D. Hose	8182827	Filter-Lubricator	447	8181998	Male Elbow 1/4 NPT x 3/8 Tube	
357	8000378	1/4" Brass St. Fitting	8183881	3/8 x 7" Nylon Tube	448	8182036	Nylon Tube 3/8 OD x 12.25" Lg	
358	8101428	Hose Clamp-1/4 I.D. Hose	8000372	1/4" x 90° Street Ell	449	8171998	1/4 NPT x 3/8 Tube Male Elbow	
359	8181954	Hose 3/4" x 31" Lg.-Black	8101898	3/8" Hose Fitting	450	8182366	Close Nipple, 1/4" NPT	
360	8104649	Poppet, 1/4" Valve	8101428	Hose Clamp-1/4 I.D. Hose	451	8181999	Male Elbow 1/4 NPT x 3/8 Tube	
361	8102468	Poppet Spring, 1/4" Valve	8182497	Hose 3/8" x 36" Lg.	452	8182367	1/4" NPT Brass Cross Fitting	
362	8105671	End Cap, 1/4" Valve	8101428	Hose Clamp-1/4 I.D. Hose	453	8181999	Male Elbow 1/4 NPT x 3/8 Tube	
363	8102048	Hose 1/4" x 15"	8101898	3/8" Hose Fitting	454	8181998	Male Elbow 1/4 NPT x 3/8 Tube	
364	8183811	Seal Kit, T. T. Cylinder	8101346	3/4" Hose Clamp	455	8182036	Nylon Tube 3/8 OD x 12.25" Lg	
365	8181183	5/16-18 Nylon Insert Lock Nut Gr.5	8104573	Fitting, Straight-3/4"	456	8181998	Male Elbow 1/4 NPT x 3/8 Tube	
366	8181622	Cap-Cylinder Bottom	8182090	Hose 3/4" x 61" Lg.	500	8111083	Regulator	
367	8182719	1/2-13 Locking Jam Nut, Gr.5	8101428	Hose Clamp-1/4 I.D. Hose	502	8109472	1/8" Inline Filter	
368	8183771	Washer 2.50 Ø x .515 Ø x .064	8182464	Strainer Screen	503	8110496	Voluinn Chamber	
369	8181629	Shaft-Tabletop Cyl.	8000378	1/4" Brass St. Fitting	505	8109468	Pressure Repeater	
370	8181627	Sleeve-Cylinder	8101428	Hose Clamp-1/4 I.D. Hose	506	8104844	Fitting, Barbed 1/4"	
371	8181620	Cap-Cylinder Top	8182599	Safety Valve	508	8109466	Valve-Piloted	
372	8181633	Tie Bolt-Tabletop Cylinder	8109784	Manifold/Gauge Protector	516	8182811	Cover-Infl. Pedal-Red	
373	8000481	Hose 1/4" x 6"	8108968	Air Gauge	517	8182809	Lube Bottle Brkt-Red	
375	8101428	Hose Clamp-1/4 I.D. Hose	8182734	Muffler	520	8190134	1/4-20 x 3/4 Hex Hd Cap Scr Gr.5	
374	8182008	Ø3/8" x 50.00 Hose	8182004	Nylon Tube 3/8" x 30" Lg.	521	8103649	Ø1/4 x 12" Hose	
375	8101428	Hose Clamp-1/4 I.D. Hose	8181988	Male Brch. Tee 1/4 NPT x 3/8 Tube	522	8000376	1/4 x 90° Brass Fitting	
			8181986	Valve, 4-Way w/Pull Pin	523	8106289	Ø1/4" x 22" Hose	
			8181999	Male Elbow 1/4 NPT x 3/8 Tube	524	8110325	1/4" NPT Male Run Tee	

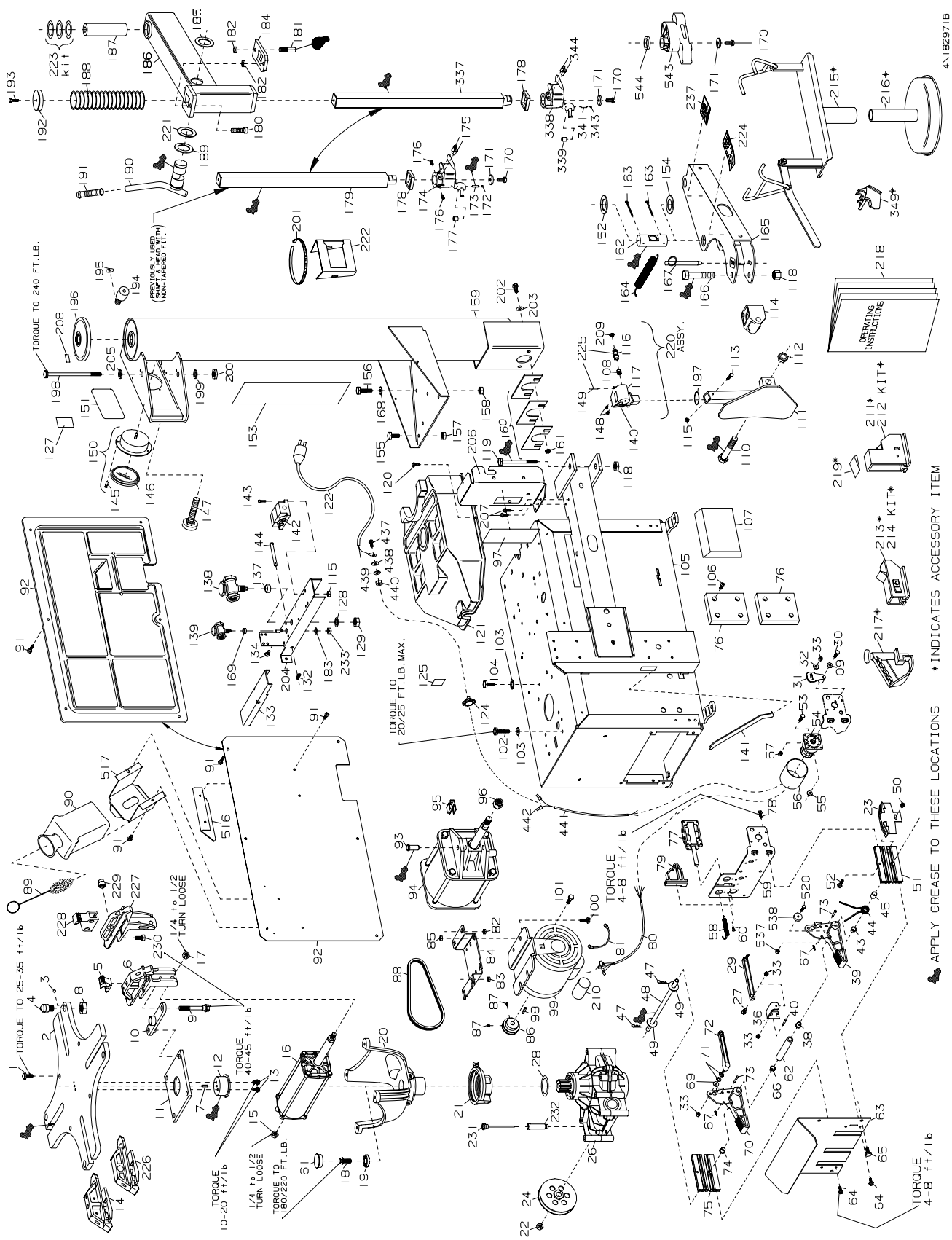
Parts Identification

Ref	Part #	Description
525	8102048	Hose, 1/4" x 15"
526	8104844	Fitting, Barbed 1/4"
527	8110328	Tee, 1/8" NPT
528	8181213	Hose, 1/4" x 3"
529	8104969	Valve, Check
530	8182842	Cover, Front
531	8182090	Hose 3/4" x 61" Lg.
532	8182862	Actuator, Valve
533	8014044	Nut, Speed Grip
534	8182838	Tube & Mounting Assem., W/C
535	8183067	Trim Strip, 19"
537	8181369	1/4-20 Nylon Insert Lock Nut Gr.5
538	8181923	Washer - Stop
539	8143169	1/4-20 Whiz Lock Nut, Gr.5
540	8108605	Female Coupling Assembly
541	8000376	1/4 x 90° Brass Fitting
542	8182981	Decal - Warning
543	8182960	Mount/Demount Head (PLASTIC)
544	8183033	Washer
545	8183237	Cover, Safety Cage Handles
546	8020531	Washer, Ø1" x .281 x .063

*Indicates Accessory Item

rev. 15

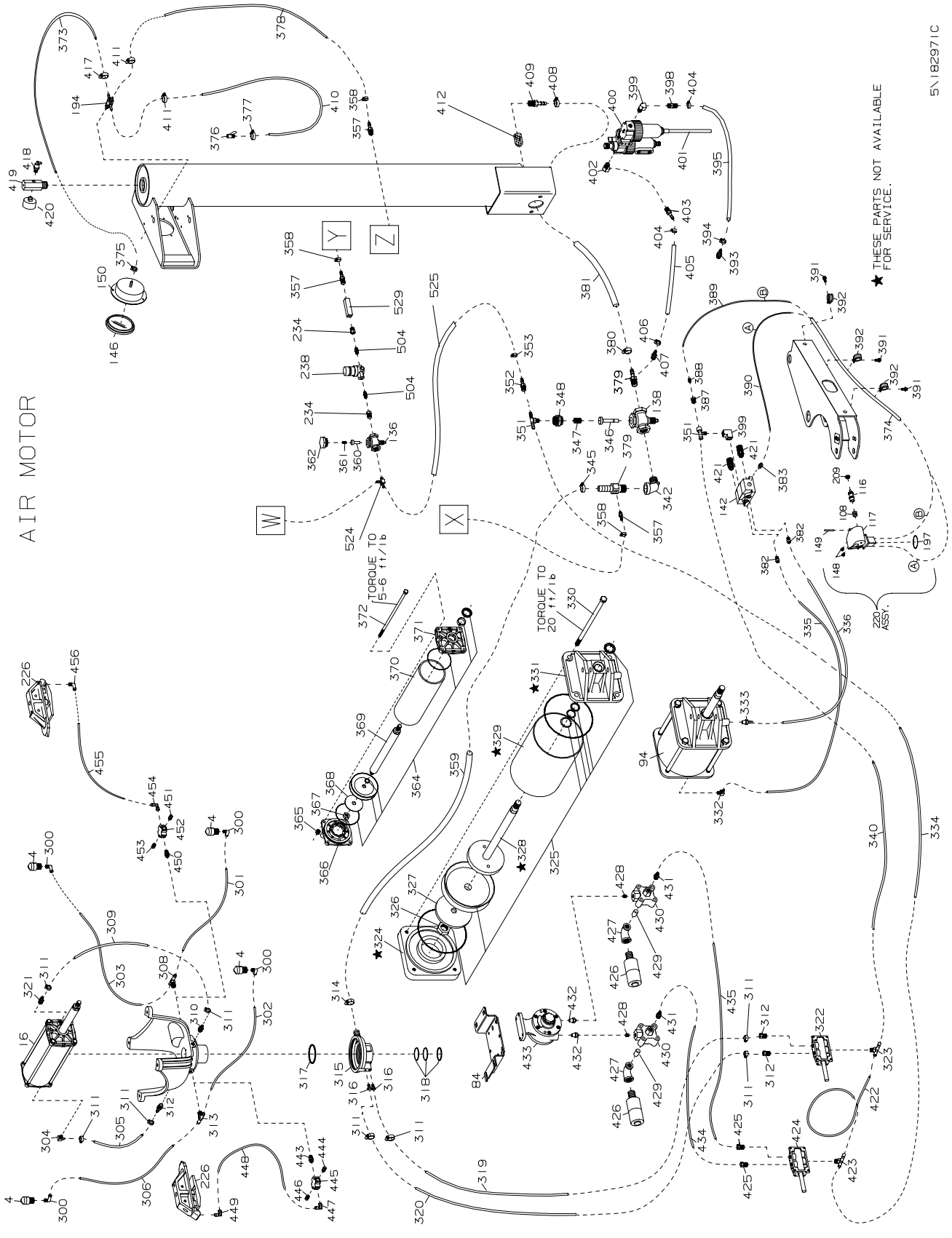
Parts Identification



APPLY GREASE TO THESE LOCATIONS *INDICATES ACCESSORY ITEM

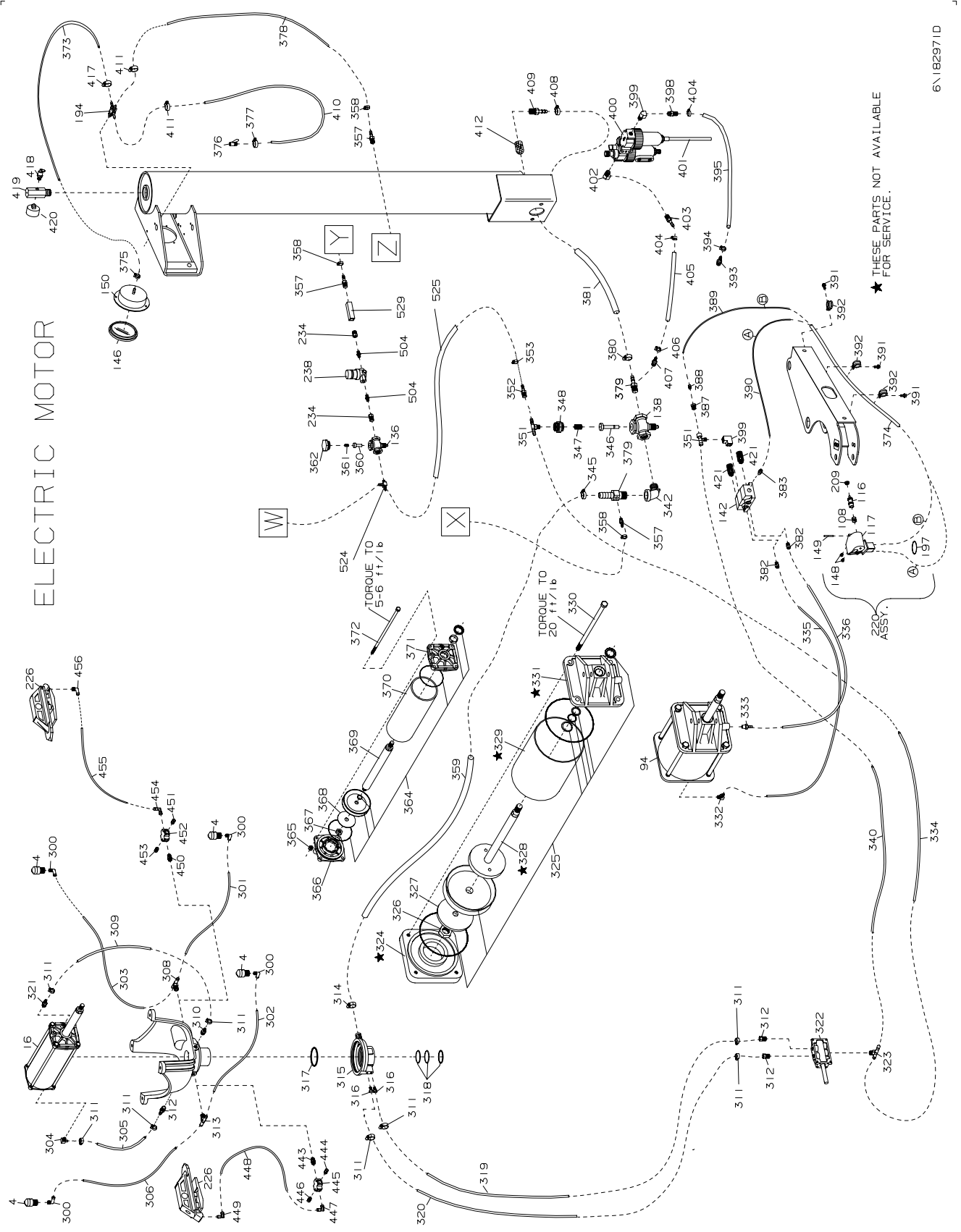
Parts Identification

AIR MOTOR



5\182971C

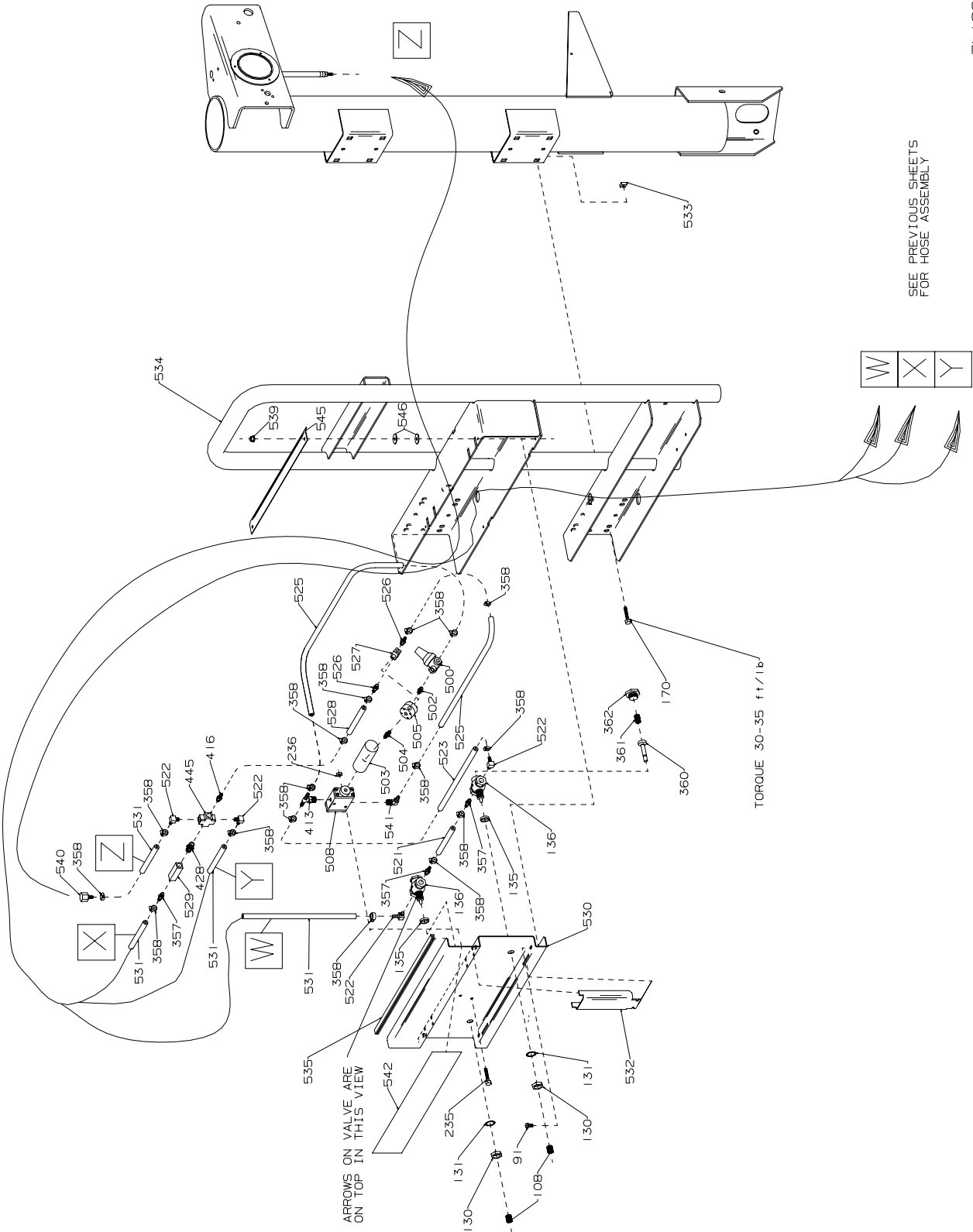
Parts Identification



ELECTRIC MOTOR

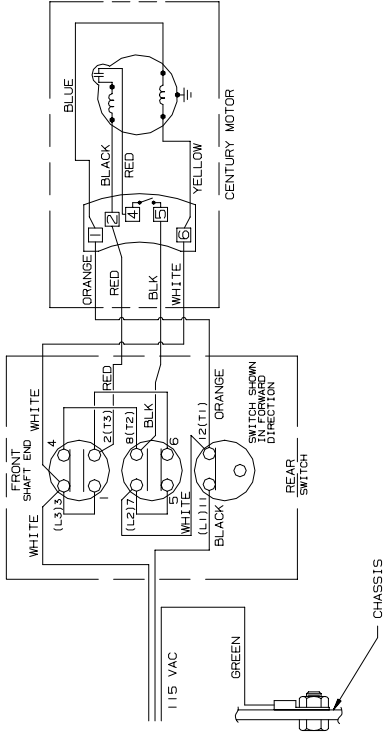
★ THESE PARTS NOT AVAILABLE FOR SERVICE.

Parts Identification



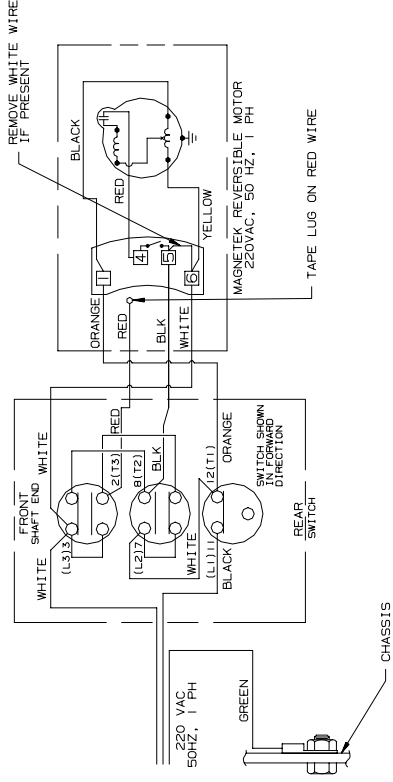
WIRING DIAGRAMS

DOMESTIC



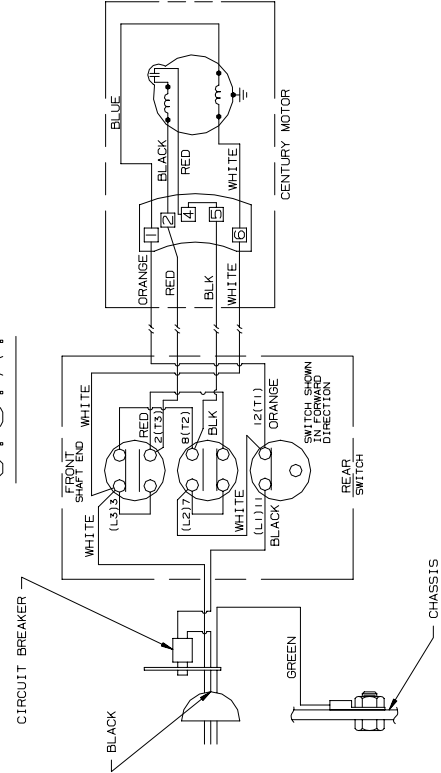
TO REVERSE ROTATION INTERCHANGE RED AND BLACK WIRES AT MOTOR

EXPORT



TO REVERSE ROTATION INTERCHANGE RED AND BLACK WIRES AT MOTOR

C.S.A.



TO REVERSE ROTATION INTERCHANGE RED AND BLACK WIRES AT MOTOR

Rim Clamp® Tire Changer

All-Air Unit Compressed Air Requirements

COATS® Rim Clamp® tire changers that are powered entirely by air (no electric motor) require a single compressed air power source. Refer to the table below for exact specifications.

Tire Changer Model	Compressor Size	Capable of
5030A	2HP	5 SCFM at 150 PSI
5050A	5HP	14-15 SCFM at 150 PSI
5060A	5HP	14-15 SCFM at 150 PSI
6050A	5HP	14-15 SCFM at 150 PSI
6060A	5HP	14-15 SCFM at 150 PSI

Oiler and Water Separator Maintenance

The oiler and water separator (on units so equipped) require weekly service. Oil and water levels (indicated on the level gauge on the side of each bowl) should be checked regularly

1. On units without automatic drain (manufactured before August 1996), drain the water from the separator by unscrewing the petcock on the bottom of the bowl. Allow water to drain and tighten petcock securely by hand.

2. Add oil to the oiler if the fluid level is more than 1/4" from the top of the gauge. Remove the filler plug in the top of the oiler, and add SAE 10W non-detergent oil or an air tool oil to bring the level up to 1/4" from the top of the gauge. Replace the filler plug and clean up any spilled oil.

3. On units manufactured before August 1996, adjust the oil flow by pulling the red flow adjustment ring up and turning it to increase or decrease the flow. Push the ring down to lock. Watch the formation of oil drops in the see-through oil chamber. Continually cycle the bead loosener through full strokes and count the drops during the cycles. The delivery of oil to the air line should be about 1 drop per 10 cylinder cycles. Adjust the flow as required.

Note: Some older units may use an adjustment screw on top of the oiler instead of the red ring and see-through chamber. To adjust these units, turn the screw fully clockwise to stop the flow, then turn it back counterclockwise 1/4 turn. Units manufactured after August 1996 are factory pre-set and require no adjustment.

Transmission Lubrication

Check the fluid level in the tabletop transmission with the oil check dipstick. If fluid shows on the dipstick, it is properly filled. If no fluid is present on the dipstick, add a high quality SAE 80/90 gear lubricant. Add lubricant and check the level. Stop adding lubricant when it shows on the dipstick.

Air Gauge Check and Recalibration

1. Inflate a standard 15" passenger car tire/wheel assembly to 32 PSI. Use a high quality stick-type pressure gauge to verify the pressure. Attach the tire changer's inflation hose to the valve stem and check the pressure reading on the air gauge. If it does not read 32 PSI, recalibrate the gauge.

2. Remove the screw-on lens. Loosen the 2 screws on the face of the gauge. Loosen them just enough so that the gauge face moves. Do not remove the screws.

3. Rotate the gauge face until the 32 PSI mark is aligned with the gauge needle. Tighten the 2 screws and replace the lens.

Danger, Warning, Caution, and Instructional Decals

Always make the cleaning of these important decals a part of your regular maintenance routine. If they are damaged or illegible, replace them immediately. Your safety, and the safety of others is involved!