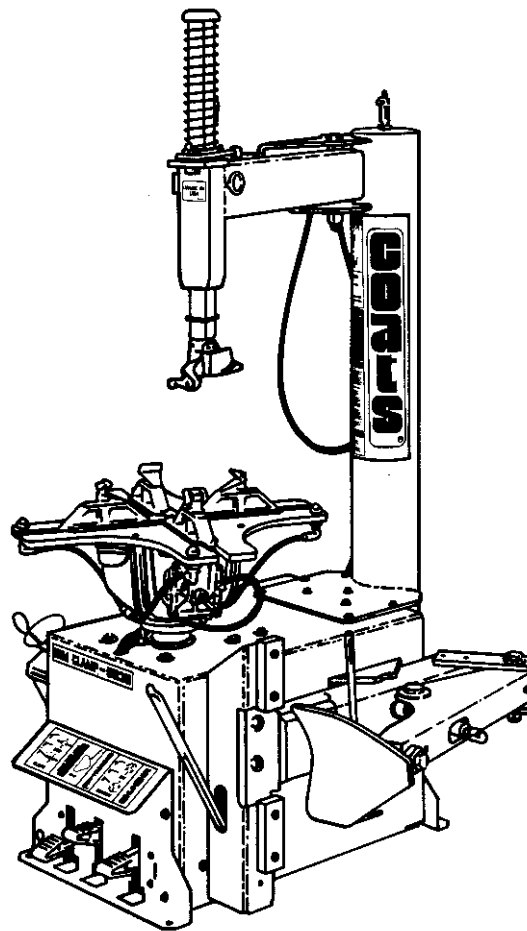


COATS®

6050 A/E/AX/EX Tire Changer

For servicing single piece automotive and most light truck tire/wheel assemblies



Parts Identification

READ these instructions before placing unit in service KEEP these and other materials delivered with the unit in a binder near the machine for ease of reference by supervisors and operators.

HENNESSY INDUSTRIES, INC.

HENNESSY INDUSTRIES INC. Manufacturer of AMMCO®, COATS® and BADA® Automotive Service Equipment and Tools.

Manual Part No.: 8183242 11
Revision: 04/99

Ref	Part #	Description	Ref	Part #	Description	Ref	Part #	Description
1	8181929	Skt. Hd. Cap Scr., 3/8-16 x 1", Gr.8	44	8181707	Torsion Spring	88	8180047	V-Belt, Motor
2	8181704	Table Top Plate	45	8181872	Sleeve-Torsion Spring	89	8000491	Lube Applicator
3	8182952	Table Top Plate without Jets	47	8111609	Cotter, Hair Pin	90	8106259	Lube Bottle (Red)
4	8182024	Ball Ø1/4", Steel	48	8183398	Pedal Shaft	91	8182876	Lube Bottle (Black)
5	8182025	Inflation Nozzle	49	8301121	Washer	92	8106301	1/4" Hex Hd Self Tap Screw, Gr.5
6	8181677	Rim Clamp	50	8181369	1/4-20 Nylon Insert Lock Nut Gr.5	93	8182707	Side Panel
7	8182662	Carrier/Cover - Cylinder End	51	8181918	Bar-Vaive Brkt. Spacer	94	8181949	Clevis Pin-5/8 x 1-3/8
8	8183476	Roll Pin - Ø1/4" x 3/4"	52	8181984	1/4 x 1-1/4 Hex Hd Cap Screw, Gr.5	95	8183312	B.L. Cylinder Assembly
9	8181904	Link Bolt - Table Top	53	8181983	Button Hd Soc Cap Screw 10-24 x 5/8, Gr.8	96	8181912	Clip, Clevis
10	8182033	3/4-10 Hex Jam Nut	54	8182957	Switch-Reversing	97	8182016	3/4"-10 Gr.5 Nylon Insert Lock Nut
11	8181734	Pivot Link W/C	55	8182682	10-24 Nylon Insert Lock Nut Gr.5	98	8181232	Decal - Lubricator
12	8181731	Pivot Plate - Table Top	56	8181959	Cover-Switch	99	8180558	Key-Motor
13	8183452	Flange Whiz-lock Scr., 5/16-18 x 5/8"	57	8182682	10-24 Nylon Insert Lock Nut Gr.5	100	8182294	Motor, Electric, 115V
14	8182661	Carrier/Cover - Clamp	58	8181708	Extension Spring, Pedal	101	8120325	5/16-18 x 1 Ser. Wash.Hd.Scr., Gr.5
15	8101039	Nut - Lock, 1/2", Gr.5	59	8183031	Bracket-Valve Mounting	102	8120455	10-24 Self Tap Screw, Gr.2
16	8181634	Cylinder Assembly-Table Top	60	8181989	10-24 x 3/8 Socket Head Cap Screw, Gr.8	103	8182040	10MM x 55MM Hex Hd. Cap Scr, Gr.5
17	8101039	Nut - Lock, 1/2", Gr.5	61	8182627	Cap Plug - 1-5/8" Dia.	104	8107715	3/8 Flat Washer, Zinc Plate
18	8181742	16MM x 40mm Hex Head Bolt Gr.10.9	62	8182358	Spacer-Pedal	105	8182041	3/8-16 x 1-1/4 Hex Hd. Cap Scr, Gr.8.8
19	8182979	Washer - Molded, Ø16mm	63	8182332	Guard-Foot Pedal	106	8182088	Chassis
20	8181990	Spider Assembly	64	8106301	1/4" Hex Hd Self Tap Screw, Gr.5	107	8181855	5/16 x 1 Torx Screw, Gr.5
21	8182619	Rotary Coupling Assembly	65	8102459	3/8" Self Tap Screw Gr.5	109	8301072	Center pad-B.L.
22	8182612	Nut - Hex, 12MM, Gr.8.8	66	8181948	Bearing-Nylon, 1/2"	110	8182011	#6 Internal Tooth Lk Washer
23	8182670	Spring Stop Bracket	67	8120469	Hair Pin Cotter	111	8183529	5/8-11 x 5" Hex Hd Cap Scr, Gr.5
24	8181658	Pulley-Transmission	69	8107635	5/16" Flat Washer	112	8182043	B.L. Shoe, Handle & Pivot W/C
25	8182178	Nut - Whiz Lock, 5/16-18	70	8181675	Pedal, Standard	113	8107107	5/8-11 Nylon Insert Lock Nut Gr.5
26	8182964	Kit-Transmission	71	8181981	Wave Washer, 5/16" I.D.	114	8181951	Grip-Handle
27	8182743	Shoulder Screw - 5/16	72	8181696	Lever-Cam Follower	118	8182016	B.L. SHOE Pivot Bracket
28	8183156	Washer - Ø2" X Ø2 3/4" x .010	73	8183399	Clevis Pin 3/16" x 1-1/2"	119	8182579	3/4"-10 Gr.5 Nylon Insert Lock Nut
29	8181699	Lever Assembly - Switch	74	8181948	Bearing-Nylon, 1/2"	122	8181956	3/4-10 x 5 Hex Hd. Cap Scr, Gr.5
30	8181982	Hx.Hd.Cp.Scr., 3MM x 12mm, Gr.5	75	8181918	Bar-Vaive Brkt. Spacer	8182257	Power Cable Assy (115V CSA)	
31	8181728	Lever - Switch Actuator	76	8181851	B.L. Pad, Front	8182712	Power Cable Assy (220V, 50Hz, 1 Ph)	
32	8000745	Washer - Flat, Ø1/4"	77	8181986	Valve, 4-Way w/Pull Pin	123	8181129	Bracket, Cable Connector
33	8181369	Nut - Lock, Nyl. Ins., 1/4-20, Gr.5	78	8106301	1/4" Hex Hd Self Tap Screw, Gr.5	124	8150128	Cable Connector, 1/2"
36	8182363	Spacer - Sw Pedal Lever-Red	79	8181695	Cam Mounting Block	125	8180237	Caution Decal
37	8181923	Washer - Stop	80	8181511	Motor Cable Assembly	126	8120325	5/16-18 x 1 Ser. Wash.Hd.Scr., Gr.5
38	8181948	Bearing-Nylon, 1/2"	81	8180560	Ground Jumper	128	8104612	3/4" Ext. Tooth Lock Washer
39	8181675	Pedal, Standard	82	8143044	Tinnerman Sq. Captive Nut 3/8-16	129	8104610	3/4" N.F. Jam Nut Gr.5
40	8190134	1/4-20 x 3/4 Hex Hd Cap Screw Gr.5	83	8106303	3/8" Whiz Lock Nut, Gr.5	130	8104611	5/8" N.F. Jam Nut Gr.5
41	8183260	Decal - Nut Tightness, TT Cyl.	84	8181931	Bracket, Motor Mounting	131	8104613	5/8" Ext. Tooth Lock Washer
43	8181948	Bearing-Nylon, 1/2"	85	8181183	5/16-18 Nylon Insert Lock Nut, Gr.5	132	8107407	Hitch Pin Retainer
			86	8180046	Pulley-Motor			
			87	8180217	5/16-18 x 3/8" Soc.Hd.Set Scr, Gr.5			

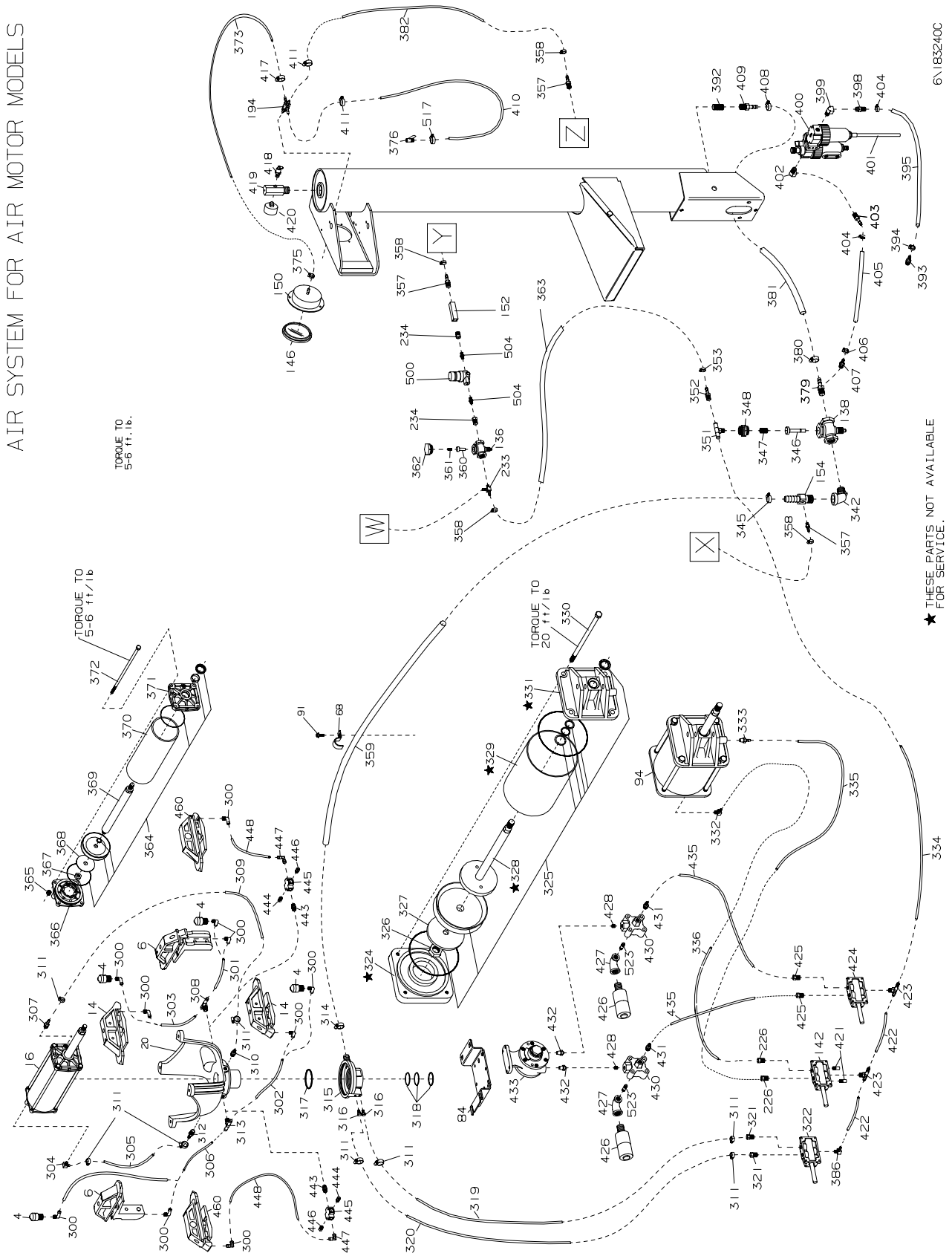
Parts Identification

Ref	Part #	Description	Ref	Part #	Description	Ref	Part #	Description
133	8181933	Pedal Inflation	184	8181788	Lock Plate	226	8181999	Male Elbow 1/4 NPT x 3/8 Tube
134	8102459	3/8" Self Tap Screw Gr.5	185	8181095	1-5/8 Snap Ring	227	8143169	1/4-20 Whiz Lock Nut, Gr.5
135	8104673	Bushing (1/4" Valve)	186	8182820	Swing Arm	228	8183237	Cover, Safety Cage Handles
136	8104600	1/4" Valve Comp.	187	8181038	Pivot Pin-Swing Arm	229	8020531	Washer, Ø1" x .281 x .063
137	8104674	Bushing (3/4" Valve)	188	8182028	Spring-Vertical Slide	231	8182186	Dipstick-Transmission
138	8106298	3/4" Valve Ported 1/4"-18 NPT	189	8181095	1-5/8 Snap Ring	232	8182185	Tube-Dipstick
139	8182809	Lube Bottle Brkt-Red	190	8181082	Lock Handle/Lift Cam W/C	233	8110325	1/4" NPT Male Run Tee
140	8182811	Cover-Infl. Pedal-Red	191	8100979	Handle Grip, Black Flex 3/4 I.D.	234	8109481	1/4 x 1/8 Reducer Bushing
141	8181354	Bead Lifting Tool	192	8181771	Knob-Vertical Slide	235	8120408	1/4-20 x 1-3/4 H.H. Cap Scr., Gr.5
142	8181986	Valve, 4-Way w/Pull Pin	193	8183151	5/16-1 x 3/4 BH Soc Cap Scr, Gr.8	236	8143169	1/4-20 Whiz Lock Nut, Gr.5
144	8180103	3/8 x 3-1/4 Clevis Pin	194	8183502	Manifold Bleed Valve Assembly	237	8181970	B.L. Pin Location Decal
145	8107983	Plastic Fastener	196	8182458	Plastic Cap (Tower)	300	8181998	Male Elbow 1/4 NPT x 3/8 Tube
146	8107517	Gauge Lens, Screw On	198	8181172	3/4-10 x 7-1/2 Hex Hd. Cap Scr,Gr.5	301	8182836	Nylon Tube 3/8 OD x 15.50" Lg
147	8181114	Knob Assy-Adjusting	199	8182457	Washer, 3/4"	302	8182836	Nylon Tube 3/8 OD x 15.50" Lg
150	8107985	Flanged Air Gauge w/Fasteners	200	8182016	3/4"-10 Gr.5 Nylon Insert Lock Nut	303	8182836	Nylon Tube 3/8 OD x 15.50" Lg
151	8109888	Inflation Warning Decal	201	8181998	Male Elbow 1/4 NPT x 3/8 Tube	304	8110497	Male Elbow 1/8 NPT x 1/4 Hose
152	8104969	Valve, Check	202	8107715	3/8-16 x 1-1/4 Hex Hd. Cap Scr,Gr.5	305	8103649	Ø1/4 x 12" Hose
153	8182373	Decal, Warning	203	8000240	Washer 1" OD x 13/32 ID x 3/16	306	8182836	Nylon Tube 3/8 OD x 15.50" Lg
154	8182020	St. Fitting, 3/4" NPT x 1/4" NPT	204	8181932	Inflation Brkt.	307	8104844	Fitting, Barbed 1/4"
155	8106302	3/8" Whiz Lock Screw, Gr.5	205	8182457	Washer, 3/4"	308	8181988	Male Brch. Tee 1/4 NPT x 3/8 Tube
157	8106303	3/8" Whiz Lock Nut, Gr.5	206	8182422	Strap, F/L Mtg.	309	8104684	1/4 x 8" Hose
158	8106303	3/8" Whiz Lock Nut, Gr.5	207	8106301	1/4" Hex Hd Self Tap Screw, Gr.5	310	8000378	1/4" Brass St. Fitting
159	8182848	Tower/Air Receiver	208	8109769	Decal, Release Valve	311	8101428	Hose Clamp-1/4 I.D. Hose
160	8182076	Shim Kit	209	8101428	Hose Clamp-1/4 I.D. Hose	312	8000378	1/4" Brass St. Fitting
161	8120424	3/8"-16 Wash Hd. Lock Nut Gr.5	*210	8180638	Motor Capacitor Only	313	8181988	Male Brch. Tee 1/4 NPT x 3/8 Tube
162	8182550	Pivot Pin, B.L. Cylinder Rod	211	8183225	Motorcycle Clamp (Tall)	314	8101346	3/4" Hose Clamp
163	8000376	1/4 x 90° Brass Fitting	*212	8181619	Motorcycle Clamp Kit (Tall)	315	8181349	Rotary Coupling
164	8180230	B.L. Spring	*213	8235740	ATV Clamp (Tall)	316	8104844	Fitting, Barbed 1/4"
165	8182002	B.L. Arm	*214	8181891	ATV Clamp Kit (Tall)	317	8181713	O-Ring Seal, Large (2-244)
166	8182009	Screw, 3/4-10 x 3 3/4" Hex Hd Cap	*215	8108028	Tire Spreader	318	8181712	O-Ring Seal, Small (2-142)
167	8120326	Hitch Pin, Ø 1/2"	*216	8181329	Spreader Base-Rim Clamp	319	8106289	Ø1/4" x 22" Hose
168	8101018	Washer .392 x .687 x .0478	*217	8435685	Drop Center Aid	320	8106289	Ø1/4" x 22" Hose
170	8106302	3/8 x 1 NC Hex Hd Cap Scr, Gr.5	218	8182898	Operating Instructions (COATS)	321	8000378	1/4" Brass St. Fitting
171	8182027	Washer 7 ga. x .406 ID x 1.28 OD	*219	8183248	Plastic Clamp Jaw	322	8181986	Valve, 4-Way w/Pull Pin
172	8140667	1/4-20 x 1/4 Soc.Hd.Set Scr, Gr.8	221	8182371	Wave Washer, 1-5/8 Dia.	324	8183310	Bottom Cap, B.L. Cylinder
173	8182786	5MM x 25MM Dowel Pin	*222	8181554	Accessory Tray Kit	325	8182079	Seal Kit, B.L. Cylinder
174	8182788	Mount Demount Head Assembly	223	8182339	Shim Kit-Swing Arm	326	8182016	3/4" NC Locknut, Gr.5
175	8182813	3/8-16 x 3/4 Counter Bore Cap Screw Gr.8	224	8181970	B.L. Pin Location Decal	327	8181860	Washer-Lower, B.L. Cylinder
177	8182787	Roller .562 Diameter x .515 LG.	225	8182770	Bootie-Mount/Demount Head (Single)	328	8183519	Shaft/Washer Assembly
178	8182031	Bumper-Rubber	8182961		Bootie-Mount/Demount Head	329	8181574	Barrel, B.L. Cylinder
179	8182872	Holder - Shop Ticket	8182963		(Pkg of 2)	330	8181862	Tie Bolt, 1/2-13 x 10-1/4" Lg., Gr.5
181	8181035	Lift Pin-Lock Plate			Bootie-Mount/Demount Head	331	8183309	Top Cap, B.L. Cylinder
182	8181113	1/2"-13 Jam Nut Gr.5			(Pkg of 12)	332	8181998	Male Elbow 1/4 NPT x 3/8 Tube
						333	8181999	Male Elbow 1/4 NPT x 3/8 Tube

Ref	Part #	Description	Ref	Part #	Description	Ref	Part #	Description
334	8182004	Nylon Tube 3/8" x 30" Lg.	402	8000372	1/4" x 90° Street Ell	463	8182247	Adjustable Rim Clamp
335	8182004	Nylon Tube 3/8" x 30" Lg.	403	8101898	3/8" Hose Fitting	464	8182279	Adj. Clamp Link Bolt
336	8182004	Nylon Tube 3/8" x 30" Lg.	404	8101428	Hose Clamp-1/4 I.D. Hose	500	8182998	Regulator, 40 PSI
342	8000572	Elbow, Street, 3/4" NPT	405	8182497	Hose 3/8" x 36" Lg.	501	8111083	Regulator
345	8101346	3/4" Hose Clamp	406	8101428	Hose Clamp-1/4 I.D. Hose	502	8109472	1/8" Inline Filter
346	8104652	Poppet, 3/4" Valve	407	8101898	3/8" Hose Fitting	503	8110496	Volumn Chamber
347	8104651	Spring, 3/4" Valve	408	8101346	3/4" Hose Clamp	504	8109471	1/8" Brass Hex Nipple
348	8106350	End Cap, 3/4" Valve	409	8104573	Fitting, Straight-3/4"	505	8109468	Pressure Repeater
351	8182071	Fitting, Special Male Branch Tee	410	8182090	Hose 3/4" x 61" Lg.	508	8109466	Valve-Piloted
352	8000378	1/4" Brass St. Fitting	411	8101428	Hose Clamp-1/4 I.D. Hose	517	8105822	Hose Clamp-9/16 I.D. Hose
353	8101428	Hose Clamp-1/4 I.D. Hose	416	8000378	1/4" Brass St. Fitting	518	8182805	Cover-Upper Tower Support
357	8000378	1/4" Brass St. Fitting	417	8101428	Hose Clamp-1/4 I.D. Hose	519	8182457	Washer, 3/4"
358	8101428	Hose Clamp-1/4 I.D. Hose	418	8182599	Safety Valve	520	8182558	3/4" Belleville Washer
359	8181954	Hose 3/4" x 31" Lg.-Black	419	8109784	Manifold/Gauge Protector	521	8182557	Spacer-Washer, B.L.
360	8104649	Poppet, 1/4" Valve	420	8108968	Air Gauge	522	8181740	SHCS 1/2-13 x 1-3/4, Gr.5
361	8102468	Poppet Spring, 1/4" Valve	421	8182734	Muffler	523	8181207	3/8" NPT Close Nipple
362	8105671	End Cap, 1/4" Valve	422	8182004	Nylon Tube 3/8" x 30" Lg.	524	8182872	Holder - Shop Ticket
363	8102048	Hose 1/4" x 15"	423	8181988	Male Brch. Tee 1/4 NPT x 3/8 Tube	525	8182821	Chart - Maint.
364	8183811	Seal Kit, T.T. Cylinder	424	8181986	Valve, 4-Way w/Pull Pin	526	8120441	Tie - Cable
365	8181183	5/16-18 Nylon Insert Lock Nut Gr.5	425	8181999	Male Elbow 1/4 NPT x 3/8 Tube	527	8182960	Mount/Demount Head (PLASTIC)
366	8181622	Cap-Cylinder Bottom	426	8181206	Muffler-1/2" NPT	528	8183033	Washer
367	8182719	1/2-13 Locking Jam Nut, Gr.5	427	8181195	1/2" x 3/8" Reducing Elbow	529	8182059	Decal, Line Press Gauge
368	8183771	Washer 2.50 Ø x .515 Ø x .064	428	8000580	Nipple - Close, 1/4 NPT	531	8182090	Hose 3/4" x 61" Lg.
369	8181629	Shaft-Tabletop Cyl.	430	8181191	Valve, Quick Exhaust	532	8182862	Actuator, Valve
370	8181627	Sleeve-Cylinder	431	8181999	Male Elbow 1/4 NPT x 3/8 Tube	533	8014044	Nut, Speed Grip
371	8181620	Cap-Cylinder Top	432	8181203	1/2"-1/4" Reducing Bushing	534	8182838	Tube & Mounting Assem., W/C
372	8181633	Tie Bolt-Tabletop Cylinder	433	8181190	Airmotor, Gast. 6AM	535	8183067	Trim Strip, 19"
373	8000481	Hose 1/4" x 6"	435	8182005	Nylon Tube 3/8" x 20" Lg.	540	8108605	Female Coupling Assembly
375	8101428	Hose Clamp-1/4 I.D. Hose	437	8106301	1/4" H.H. Self Tap Scr., Gr.5	542	8182981	Decal - Warning
376	8183114	Air Chuck	438	8150441	1/4" Star Lock Washer	546	8102048	Hose, 1/4" x 15"
379	8182020	St. Fitting, 3/4" NPT x 1/4" NPT	439	8301142	Washer, 1/4" Spring Lock	547	8181213	Hose, 1/4" x 3"
380	8101428	Hose Clamp-1/4 I.D. Hose	440	8107440	1/4-20 Hex Nut Gr.5	548	8104844	Fitting, Barbed 1/4"
381	8181993	Hose, 3/4" x 15 1/2"	441	8182141	Cord-Entrance to Switch	549	8110328	Tee, 1/8" NPT
382	8106289	Ø1/4" x 22" Hose	442	8143254	Wire Joint	550	8106289	Ø1/4" x 22" Hose
386	8181998	Male Elbow 1/4 NPT x 3/8 Tube	443	8182366	Close Nipple, 1/4" NPT	551	8110325	1/4" NPT Male Run Tee
392	8182464	Strainer Screen	444	8181999	Male Elbow 1/4 NPT x 3/8 Tube	552	8103649	Ø1/4 x 12" Hose
393	8101898	3/8" Hose Fitting	445	8182367	1/4" NPT Brass Cross Fitting	553	8182842	Cover, Front
394	8101428	Hose Clamp-1/4 I.D. Hose	446	8181999	Male Elbow 1/4 NPT x 3/8 Tube	* Indicates Accessory Item		
395	8181147	Hose 3/8 x 17-1/4" Lg.	447	8181998	Male Elbow 1/4 NPT x 3/8 Tube	rev. 11		
398	8101898	3/8" Hose Fitting	448	8182036	Nylon Tube 3/8 OD x 12.25" Lg			
399	8000372	1/4" x 90° Street Ell	449	8171998	1/4 NPT x 3/8 Tube Male Elbow			
400	8182827	Filter-Lubricator	460	8182249	Carrier/Cover - Clamp Adj.			
401	8103199	Soc Hd Capscrew 6mm x 16mm Gr. 10.9	461	8182248	Carrier/Cover, Cylinder End, Adj.			
			462	8182250	Adj. Clamp Plunger/Spring Assem.			

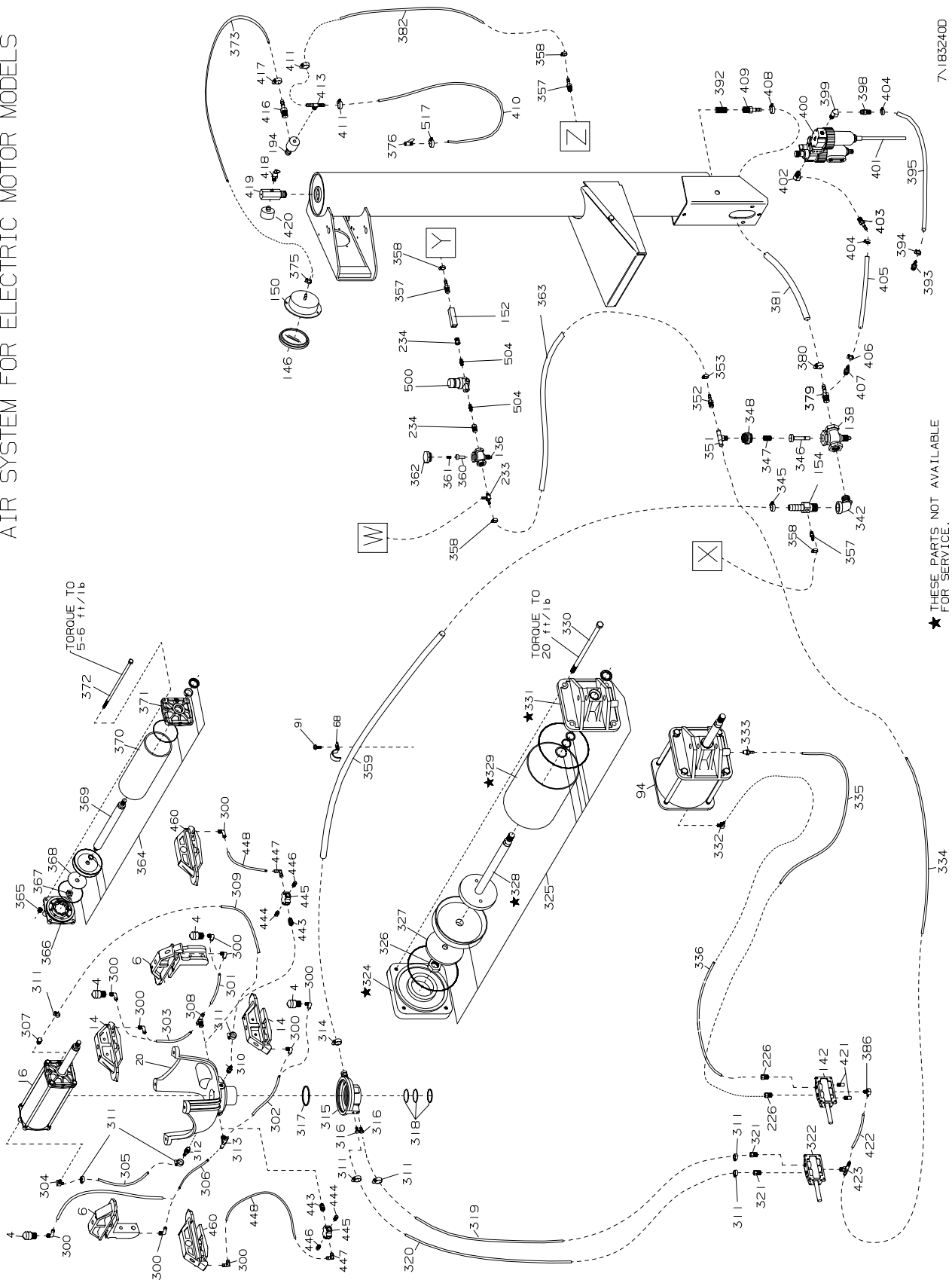
Parts Identification

AIR SYSTEM FOR AIR MOTOR MODELS



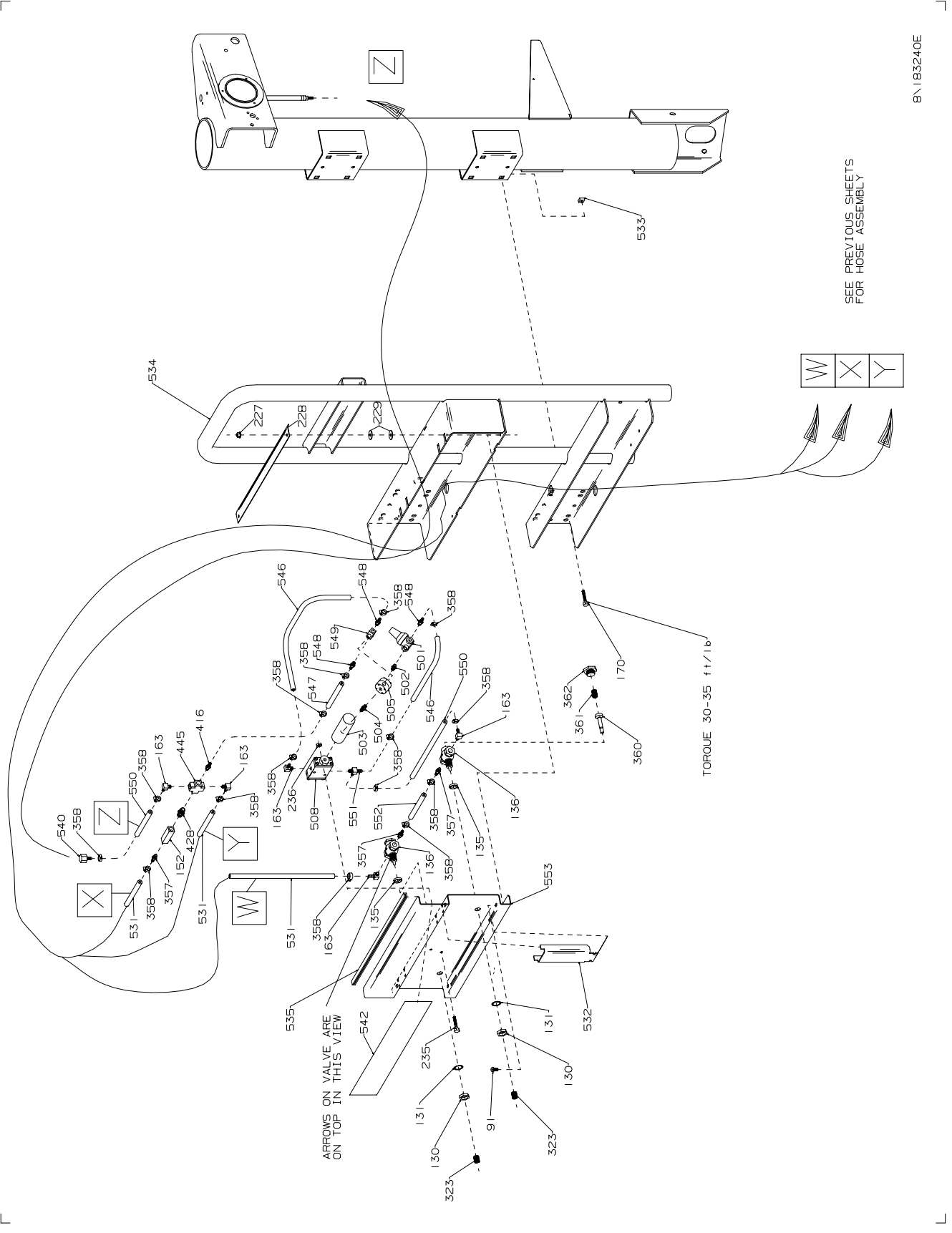
Parts Identification

AIR SYSTEM FOR ELECTRIC MOTOR MODELS



★ THESE PARTS NOT AVAILABLE FOR SERVICE.

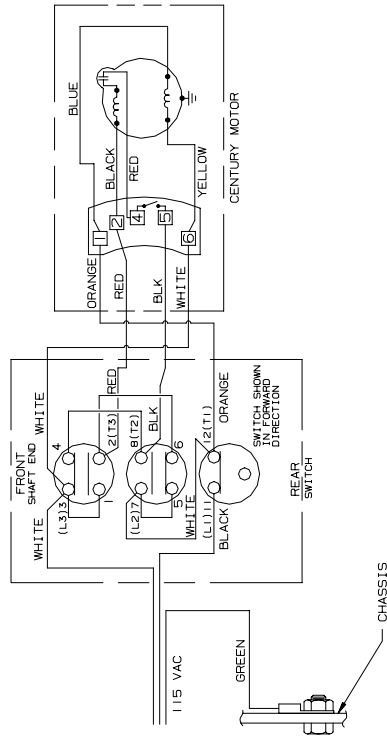
Parts Identification



WIRING DIAGRAMS

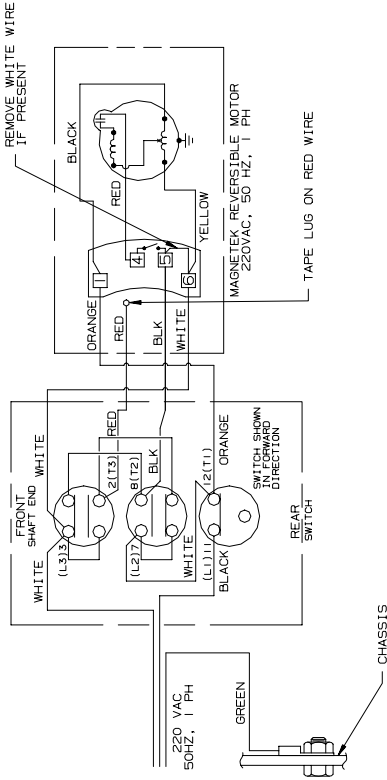
┌

DOMESTIC



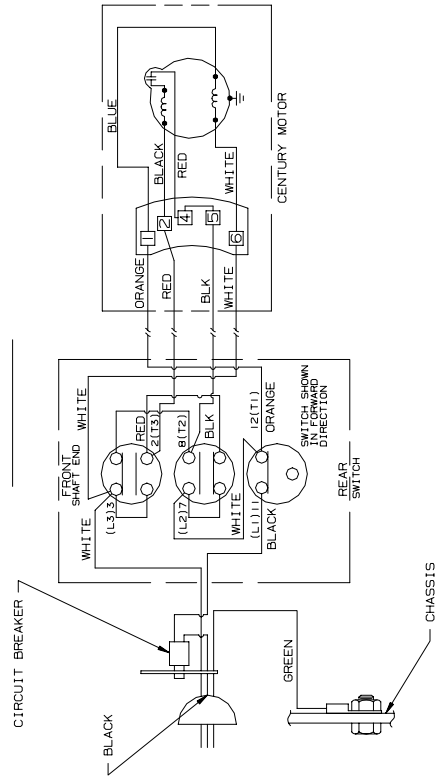
TO REVERSE ROTATION INTERCHANGE
RED AND BLACK WIRES AT MOTOR

EXPORT



TO REVERSE ROTATION INTERCHANGE
RED AND BLACK WIRES AT MOTOR

C.S.A.



TO REVERSE ROTATION INTERCHANGE
RED AND BLACK WIRES AT MOTOR

└

└

9\183240F

Rim Clamp® Tire Changer

All-Air Unit Compressed Air Requirements

COATS® Rim Clamp® tire changers that are powered entirely by air (no electric motor) require a single compressed air power source. Refer to the table below for exact specifications.

Tire Changer Model	Compressor Size	Capable of
5030A	2HP	5 SCFM at 150 PSI
5050A	5HP	14-15 SCFM at 150 PSI
5060A	5HP	14-15 SCFM at 150 PSI
6050A	5HP	14-15 SCFM at 150 PSI
6060A	5HP	14-15 SCFM at 150 PSI

Oiler and Water Separator Maintenance

The oiler and water separator (on units so equipped) require weekly service. Oil and water levels (indicated on the level gauge on the side of each bowl) should be checked regularly

1. On units without automatic drain (manufactured before August 1996), drain the water from the separator by unscrewing the petcock on the bottom of the bowl. Allow water to drain and tighten petcock securely by hand.

2. Add oil to the oiler if the fluid level is more than 1/4" from the top of the gauge. Remove the filler plug in the top of the oiler, and add SAE 10W non-detergent oil or an air tool oil to bring the level up to 1/4" from the top of the gauge. Replace the filler plug and clean up any spilled oil.

3. On units manufactured before August 1996, adjust the oil flow by pulling the red flow adjustment ring up and turning it to increase or decrease the flow. Push the ring down to lock. Watch the formation of oil drops in the see-through oil chamber. Continually cycle the bead loosener through full strokes and count the drops during the cycles. The delivery of oil to the air line should be about 1 drop per 10 cylinder cycles. Adjust the flow as required.

Note: Some older units may use an adjustment screw on top of the oiler instead of the red ring and see-through chamber. To adjust these units, turn the screw fully clockwise to stop the flow, then turn it back counterclockwise 1/4 turn. Units manufactured after August 1996 are factory pre-set and require no adjustment.

Transmission Lubrication

Check the fluid level in the tabletop transmission with the oil check dipstick. If fluid shows on the dipstick, it is properly filled. If no fluid is present on the dipstick, add a high quality SAE 80/90 gear lubricant. Add lubricant and check the level. Stop adding lubricant when it shows on the dipstick.

Air Gauge Check and Recalibration

1. Inflate a standard 15" passenger car tire/wheel assembly to 32 PSI. Use a high quality stick-type pressure gauge to verify the pressure. Attach the tire changer's inflation hose to the valve stem and check the pressure reading on the air gauge. If it does not read 32 PSI, recalibrate the gauge.

2. Remove the screw-on lens. Loosen the 2 screws on the face of the gauge. Loosen them just enough so that the gauge face moves. Do not remove the screws.

3. Rotate the gauge face until the 32 PSI mark is aligned with the gauge needle. Tighten the 2 screws and replace the lens.

Danger, Warning, Caution, and Instructional Decals

Always make the cleaning of these important decals a part of your regular maintenance routine. If they are damaged or illegible, replace them immediately. Your safety, and the safety of others is involved!