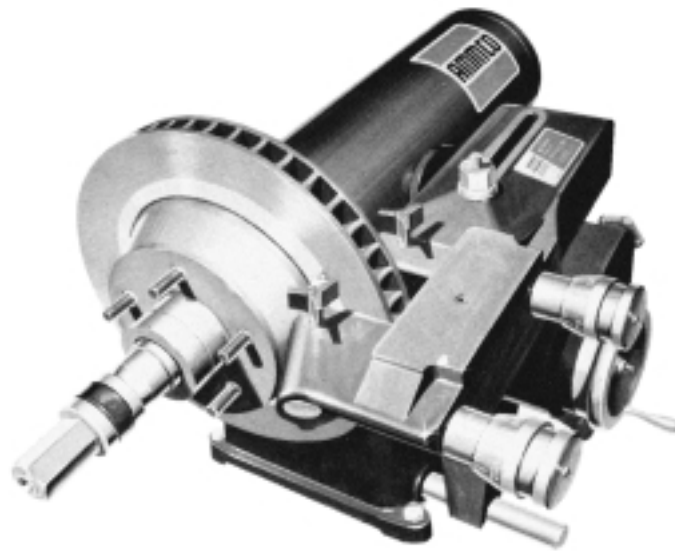




7000 Disc Rotor Lathe



Parts Identification

READ these instructions before placing unit in service. KEEP these and other materials delivered with the unit in a binder near the machine for ease of reference by supervisors and operators.

HENNESSY INDUSTRIES, INC.

HENNESSY INDUSTRIES INC. Manufacturer of AMMCO®, COATS® and BADA® Automotive Service Equipment and Tools.

Manual Part No.: 940941 00
Revision: 06/01

Parts Identification

Table of Contents

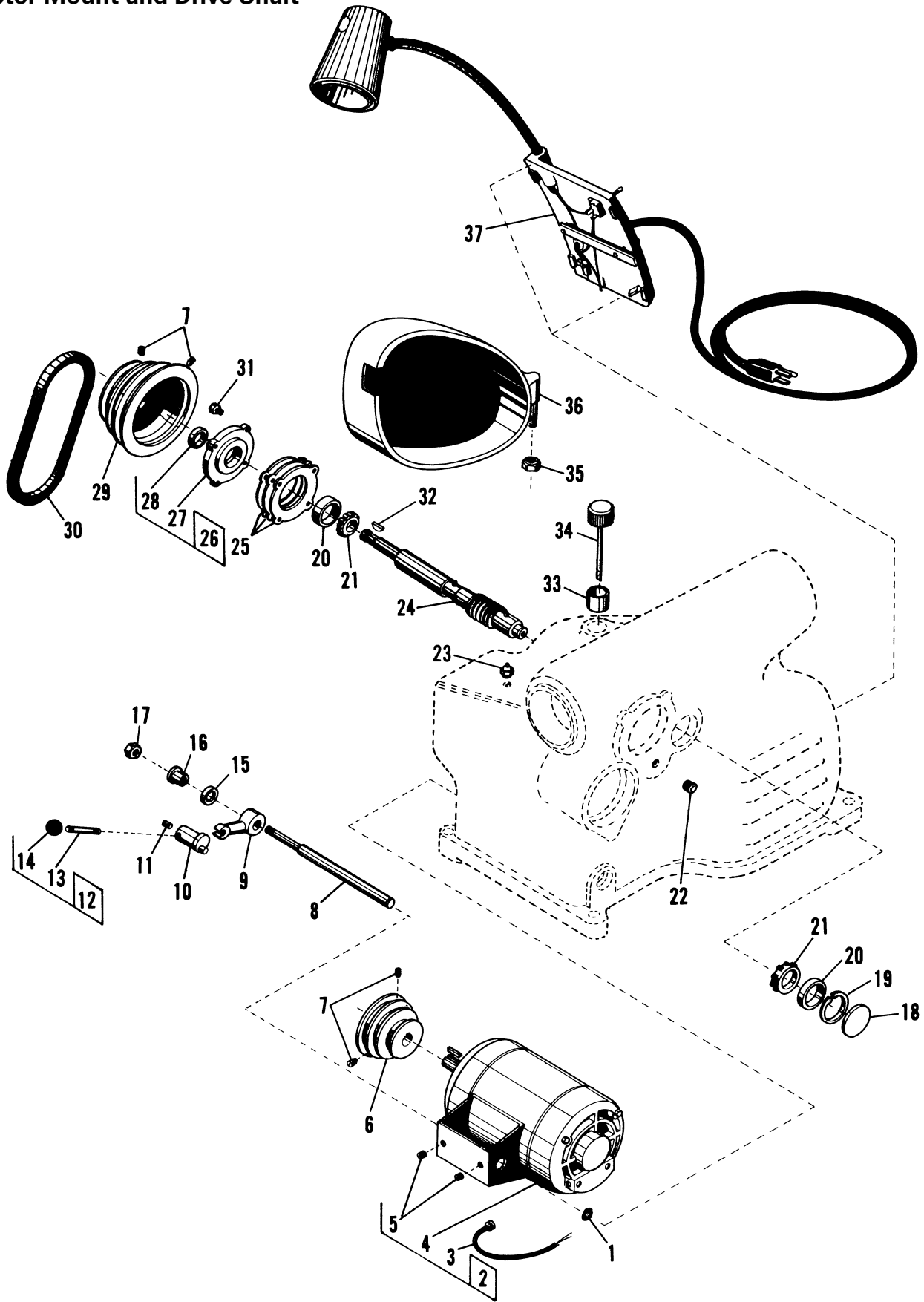
Motor Mount and Drive Shaft	4 - 5
Spindle	5
Cross Feed Controls	6 - 7
Cross Feed Drive	8 - 9
Electrical Panel Assembly	10
Twin Cutter, #6900	11

Parts Identification

The following pages include full parts breakdowns with exploded view illustrations to help with ordering replacement or spare parts. Assemblies are noted where it is recommended that individual parts not be ordered separately. These parts are available only as assemblies because some parts are staked, pinned, or press fitted, then drilled, machined, or bored. Close tolerances must be maintained in assembly. Every effort is made to supply accurate exploded views, however, due to interim changes in manufacturing operations, some units may not be exactly as illustrated.

Parts Identification

Motor Mount and Drive Shaft



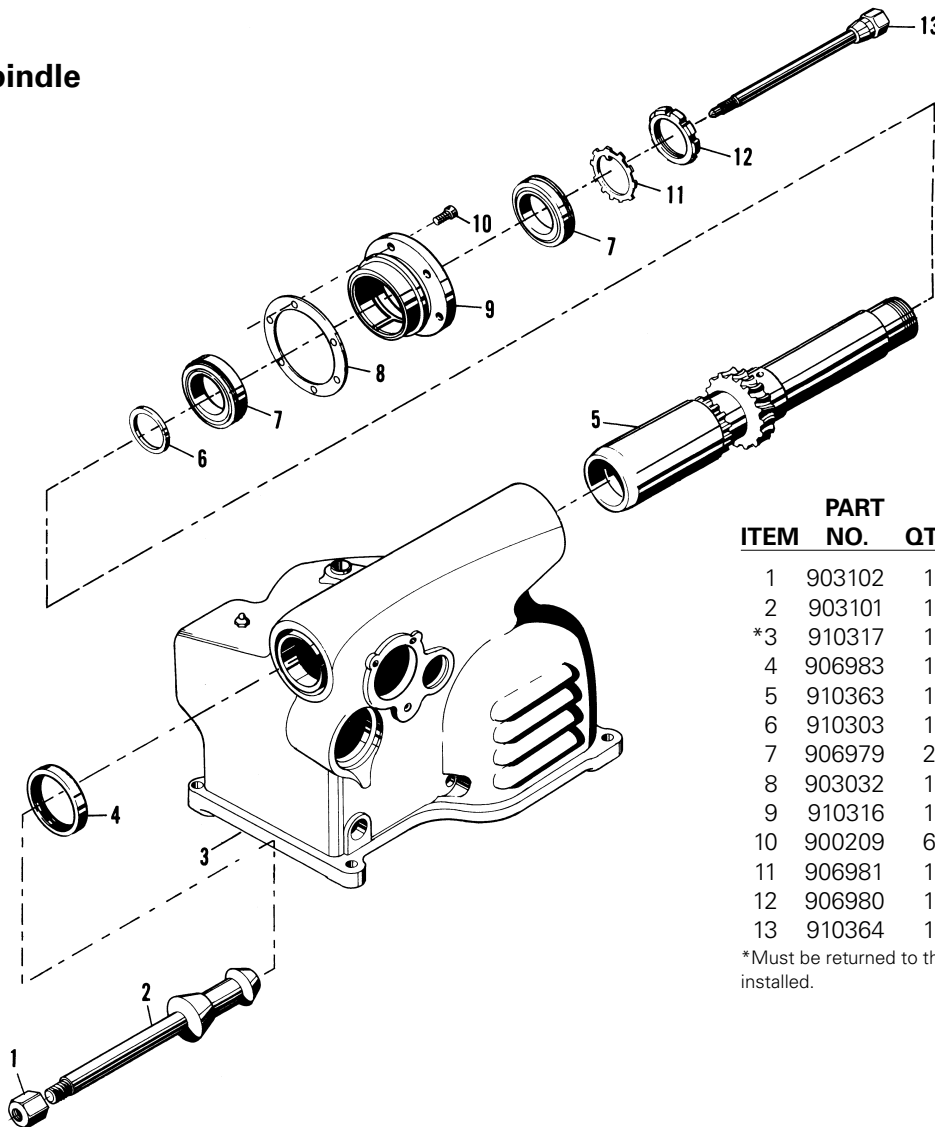
Parts Identification

ITEM	PART NO.	QTY	DESCRIPTION
1	906766	1	Ring, "O"
2	907706	1	Motor Assembly
3	903244	1	Wire, Motor Lead
4	902165		
5	906864	2	Screw, Set
6	910305	1	Pully, Drive
7	900220	4	Screw, Set
8	903023	1	Shaft, Motor Mount
9	903015	1	Lever, Belt Release
10	903035	1	Pin, Eccentric Belt Release
11	903180	1	Screw, Socket Head
12	907348	1	Belt Tension Lever Assembly
13	903088	1	Shaft, Belt Release
14	900320	1	Knob, Ball
15	902364	*	Washer, Wave
16	903223	1	Bushing, Motor Mount Shaft
17	903377	1	Nut, Hex
18	903166	1	Plug
19	903172	1	Ring, Snap
20	903394	2	Cup, Bearing

ITEM	PART NO.	QTY	DESCRIPTION
21	903393	2	Cone, Bearing
22	903372	1	Plug, Allen Pipe
23	922006	1	Fitting, Grease
24	909847-C	1	Shaft, Drive With Roll Pins
25	903169	*	Shim, .005"
	903170	*	Shim, .007"
	903171	*	Shim, .020"
26	903186	1	Cap Bearing "O" Seal Assembly
27	903010	1	Cap, Bearing Seal
28	903163	1	Seal, Oil
29	910304	1	Pulley, Driven
30	903161	1	Belt, "V"
31	900236	4	Screw, Cap Hex Head
32	924446	1	Key
33	910397	1	Sleeve, Oil Filler
34	903148	1	Dipstick, Oil
35	911273	1	Nut, Hex
36	903005	1	Guard, Belt w/Pin
37	910352	1	Electrical Panel Assembly

*Quantity As Required

Spindle

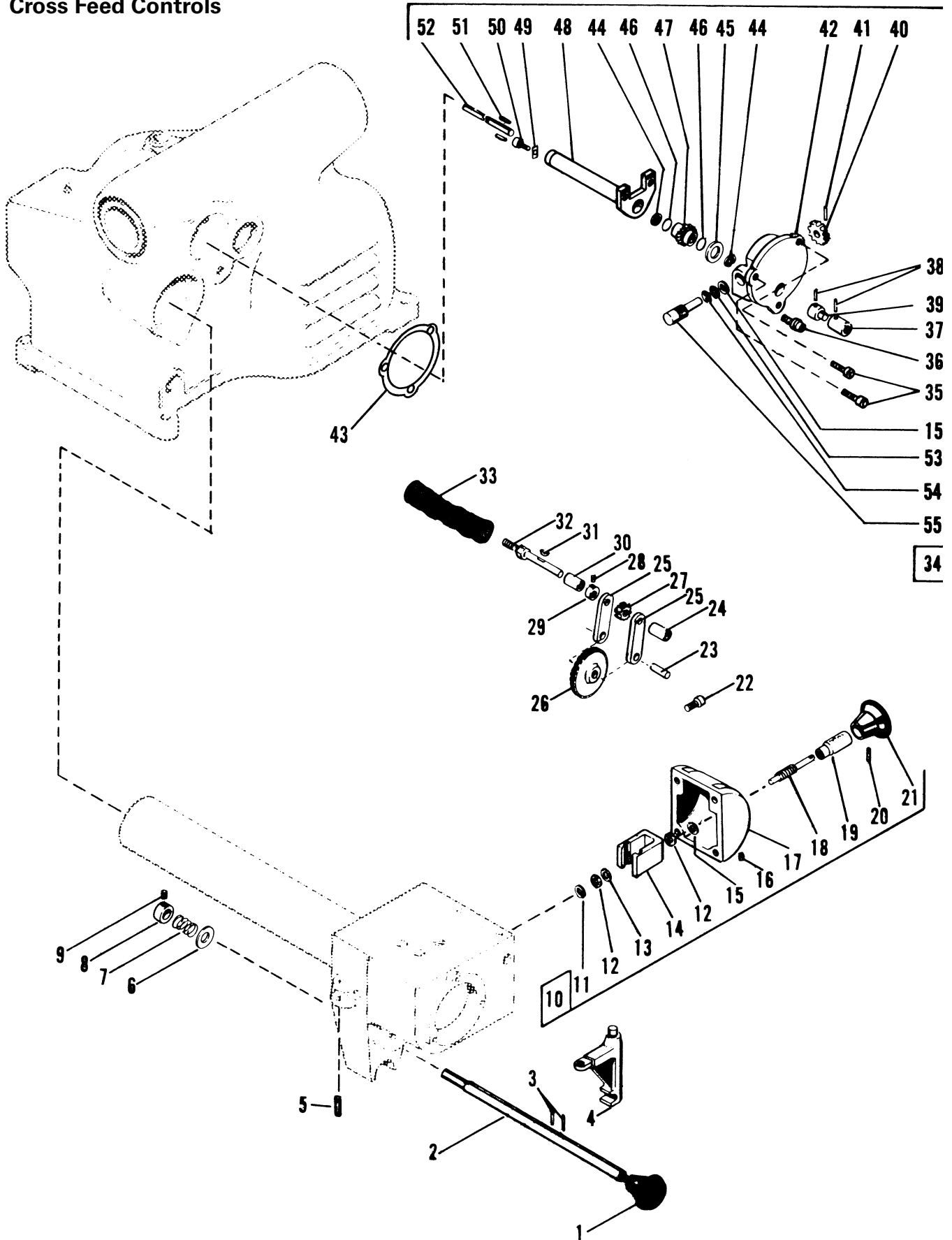


ITEM	PART NO.	QTY	DESCRIPTION
1	903102	1	Nut, Arbor
2	903101	1	Arbor
*3	910317	1	Frame, Main
4	906983	1	Seal, Oil
5	910363	1	Spindle & Gear Assembly
6	910303	1	Spacer
7	906979	2	Bearing
8	903032	1	Shim
9	910316	1	Flange, Rear
10	900209	6	Screw
11	906981	1	Washer, Lock
12	906980	1	Nut, Lock
13	910364	1	Drawbar

*Must be returned to the factory for reboring when new bushings are installed.

Parts Identification

Cross Feed Controls

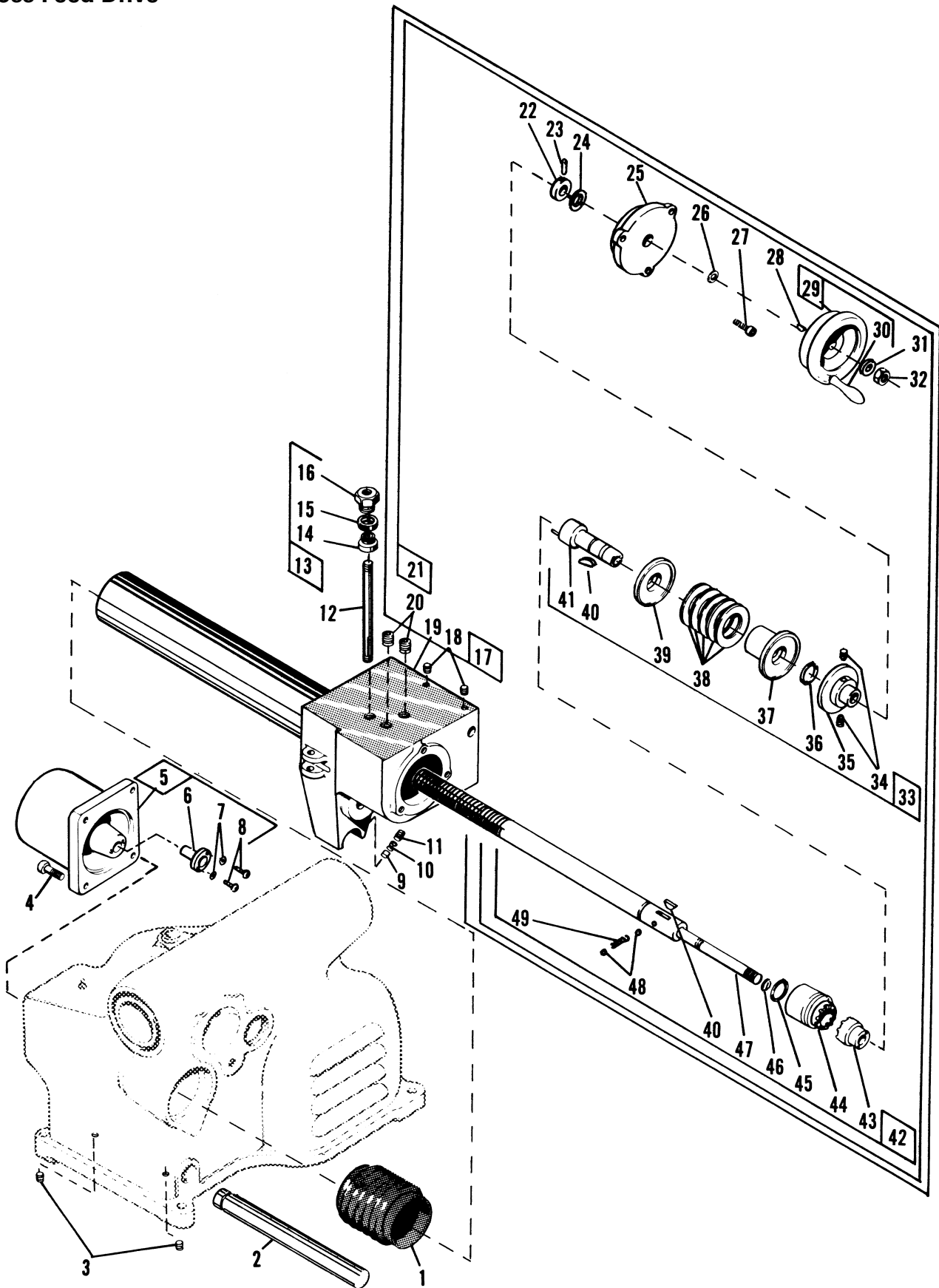


Parts Identification

ITEM	PART NO.	QTY	DESCRIPTION
1	906986	1	Knob, Shut-Off Rod
2	910344	1	Rod, Shut-Off
3	901963	2	Pin
4	910365	1	Arm & Pin Assembly
5	903177	1	Pin
6	900279	1	Washer
7	903493	1	Spring
8	903039	1	Collar
9	900212	1	Screw, Set
10	910354	1	Cross Slide Speed Control Cover Assembly
11	902304	1	Ring, Retaining
13	928889	1	Washer, Wave
14	910321	1	Fork
15	906973	3	Washer, Thrust
16	906891	1	Screw, Set
17	910330	1	Cover
18	910337	1	Rod, Adjusting
19	910336	1	Bushing
20	904096	1	Pin
21	910331	1	Knob, Feed Control
22	900208	4	Screw, Socket Head
23	906967	1	Shaft, Friction Drive
24	910341	1	Bushing, Support
25	910329	2	Link
26	910326	1	Gear, Friction Drive
27	910327	1	Gear
28	903653	1	Pin, Roll
29	910379	1	Collar, Stop
30	910338	1	Bushing
31	906971	1	Key
32	910378	1	Shaft, Input
33	928824	1	Boot & Spring
34	928809	1	Cross Feed Power Take-Off Assembly
35	903221	2	Screw, Socket Head
36	906985	1	Screw, Shoulder
37	910377	1	Coupling, Driven
38	906106	2	Pin, Roll
39	910376	1	Coupling, Drive
40	910311	1	Gear, Drive
41	904006	1	Pin, Roll
42	928797	1	Support, Gear
43	910359	1	Gasket, Gear Support
45	928741	2	Sealed Drawn Cup Bearing
47	928823	1	Gear, Worm
48	928799	1	Oil Tube Assembly
50	905646	2	Screw, Cap Socket Head
52	928822	1	Rod, Drive
53	906976	1	Bearing, Thrust
54	906975	1	Washer, Thrust
55	910301	1	Worm
58	928825	1	Shaft Assembly

Parts Identification

Cross Feed Drive



Parts Identification

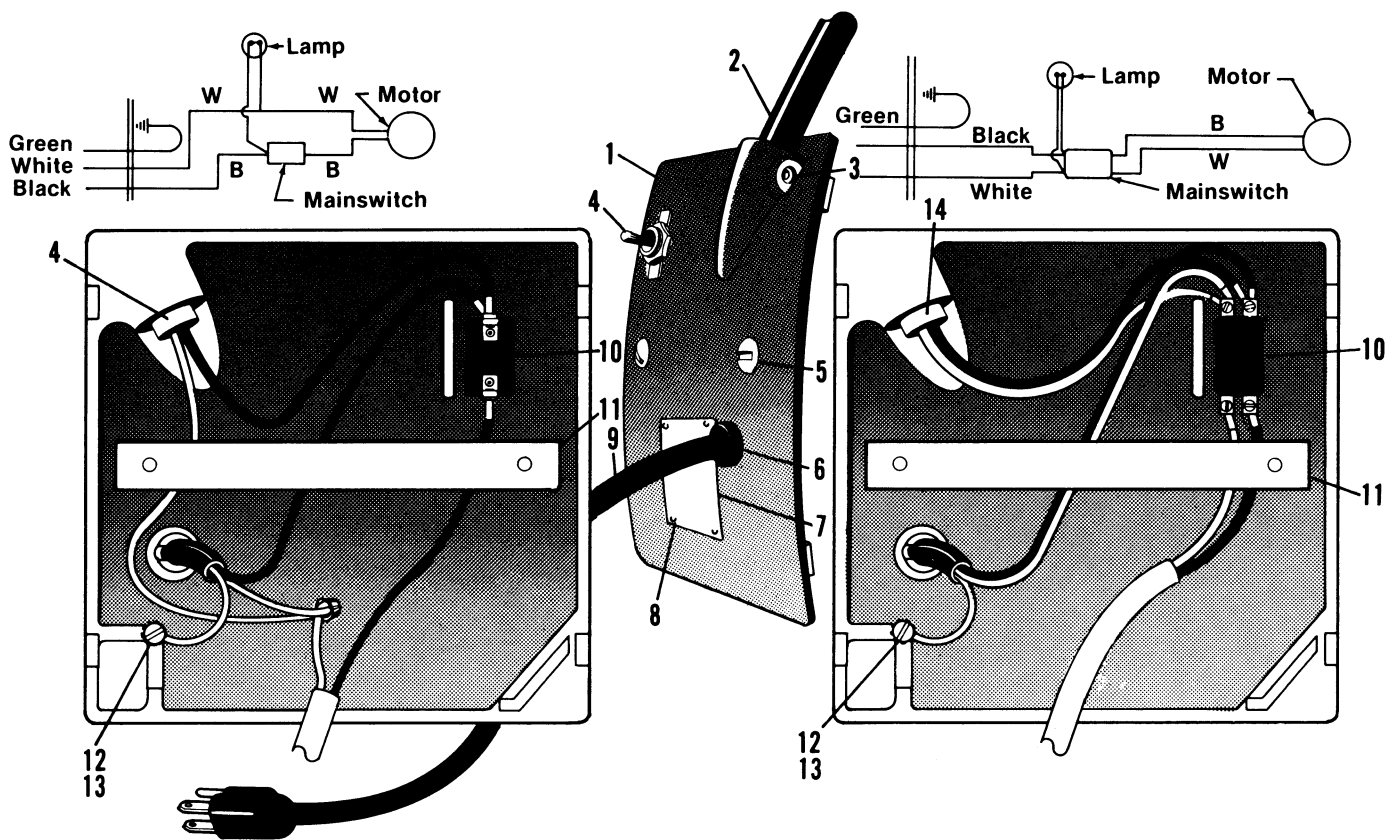
ITEM	PART NO.	QTY	DESCRIPTION
1	903087	1	Boot
2	910346	1	Bar, Cross Feed Guide
3	901680	2	Screw, Set
4	901127	4	Screw, Cap Socket Head
5	928368	1	Lead Screw Cap Assembly
7	903910	1	Washer, Lock
8	928367	2	Screw, Machine
9	909836	2	Plug
10	902064	1	Spring
11	900220	1	Screw, Set
12	903031	1	Stud, Tool Clamp
13	911227	1	Nut & Washer Assembly
14	911224	1	Washer
15	911225	1	Retainer
16	911221	1	Nut, Locking
17	910350	1	Cross Feed Assembly
18	900212	2	Screw, Set
19	910323	1	Cross Feed & Bushing Assembly
20	906990	2	Screw, Set
21	910357	1	Lead Screw & Clutch Assembly
22	910334	1	Collar, Stop
23	904006	1	Pin, Roll
24	906973	1	Washer, Thrust
25	910358	1	Cover & Bushing Assembly
26	906726	1	Washer
27	900208	3	Screw, Cap Socket Head
28	906972	1	Key
29	910353	1	Handwheel Assembly
30	903026	1	Crank
31	900278	1	Washer
32	928299	1	Nut
33	910355	1	Friction Drive Assembly
34	911102	2	Screw, Set
35	910324	1	Disc, Fixed Friction
36	903174	1	Ring, Retaining
37	910325	1	Disc, Friction
38	903062	10	Spring, Bellville
39	910335	1	Retainer
40	903176	2	Key
41	910356	1	Drive Shaft & Pin Assembly
42	925310	1	Lead Screw & Clutch Assembly
43	910320	1	Clutch, Drive
44	910322	1	Clutch, Driven
45	906969	1	Ring, Snap
46	906138	1	Ring, Snap
47	910318	1	Screw, Lead
48	900311	1	Ball, Steel
49	903060	2	Spring
50	928529	1	Lead Screw Nut Kit

Parts Identification

Electrical Panel Assembly

110 V

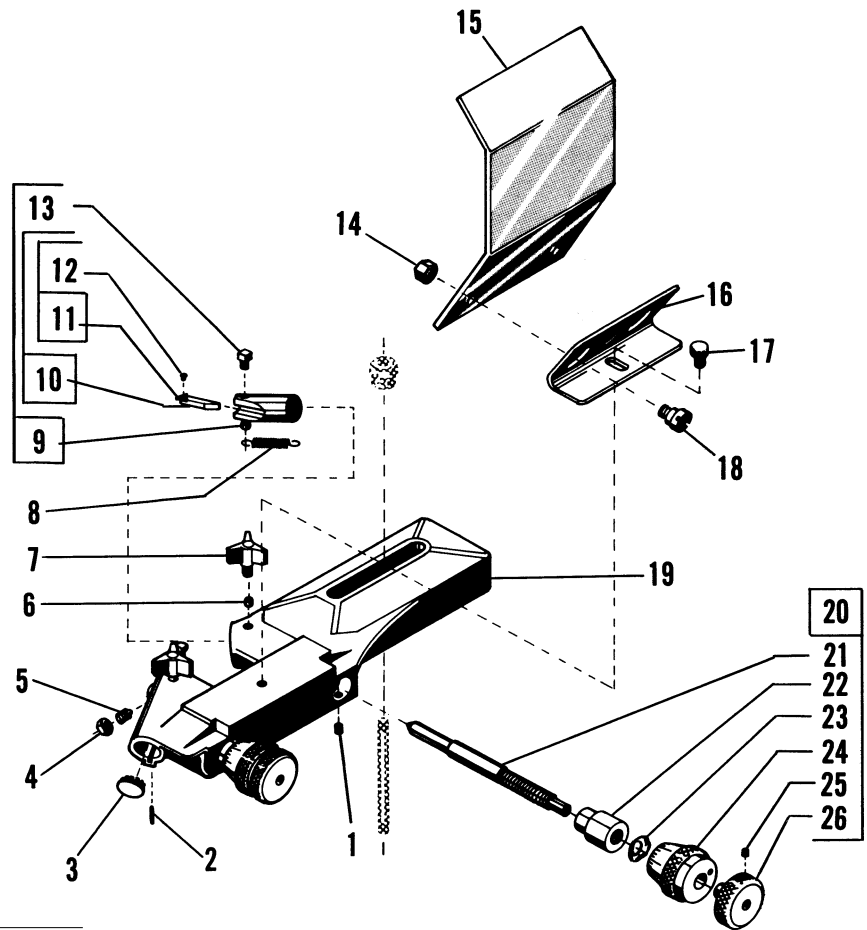
220 V



ITEM	PART NO.		QTY	DESCRIPTION
	110V	220V		
1	910348	910348	1	Panel, Electrical
2	907963	907963	1	Lamp
3	900220	900220	1	Screw, Allen Set
4	901185	901185	1	Plate, Switch
5	903183	903183	2	Screw, Round Head Machine
6	906058	906077	1	Grip, Cord
7	920463	920463	1	Plate, Electrical Caution
8	900306	900306	4	Screw, Drive
9	907209	907210	1	Cord, Set
10	906893	921464	1	Switch
11	903079	903079	1	Strap, Clamp
12	921972	921972	1	Screw, Tappet
13	901926	901926	1	Washer, Lock
14	906883	906889	1	Bushing, Insulated
	922763		1	Replacement Lamp Switch & Socket (Not Shown)
	922764		1	Replacement Lamp Switch & Dust Boot (Not Shown)

Parts Identification

Twin Cutter, #6900



ITEM	PART NO.	QTY	DESCRIPTION
1	906109	2	Screw, Set
2	906841	2	Pin, Groove
3	906977	1	Plug, Dot
4	903528	2	Nut, Hex
5	909879	2	Screw, Locating
6	903142	2	Plug, Brass
7	906854	2	Screw, Lock
8	906905	2	Spring
9	910651	1	Tool Holder Assembly, RH
	910650	1	Tool Holder Assembly, LH
10	910701	1	Tool Bit Assembly, RH
	910702	1	Tool Bit Assembly, LH
11	906914	2	Tool Bit, Carbide
12	906499	2	Screw, Machine Head
13	909249	2	Screw, Set Dog Point
14	911166	2	Insert, Hex
15	911154	1	Shield
16	911153	1	Bracket
17	911152	1	Screw, Thumb
18	911150	2	Retainer
19	906911	1	Housing, Twin Cutter
20	906901	2	Dial Assembly
21	906908	1	Rod, Dial
22	906906	1	Plug
23	906929	1	Washer, Spring
24	906907	1	Dial, Micrometer
25	903338	1	Screw, Set
26	906923	1	Knob, Dial Rod

