



6000, 6002 Heavy Duty Drum/Disc Lathe



Parts Identification

READ these instructions before placing unit in service. KEEP these and other materials delivered with the unit in a binder near the machine for ease of reference by supervisors and operators.

Parts Identification

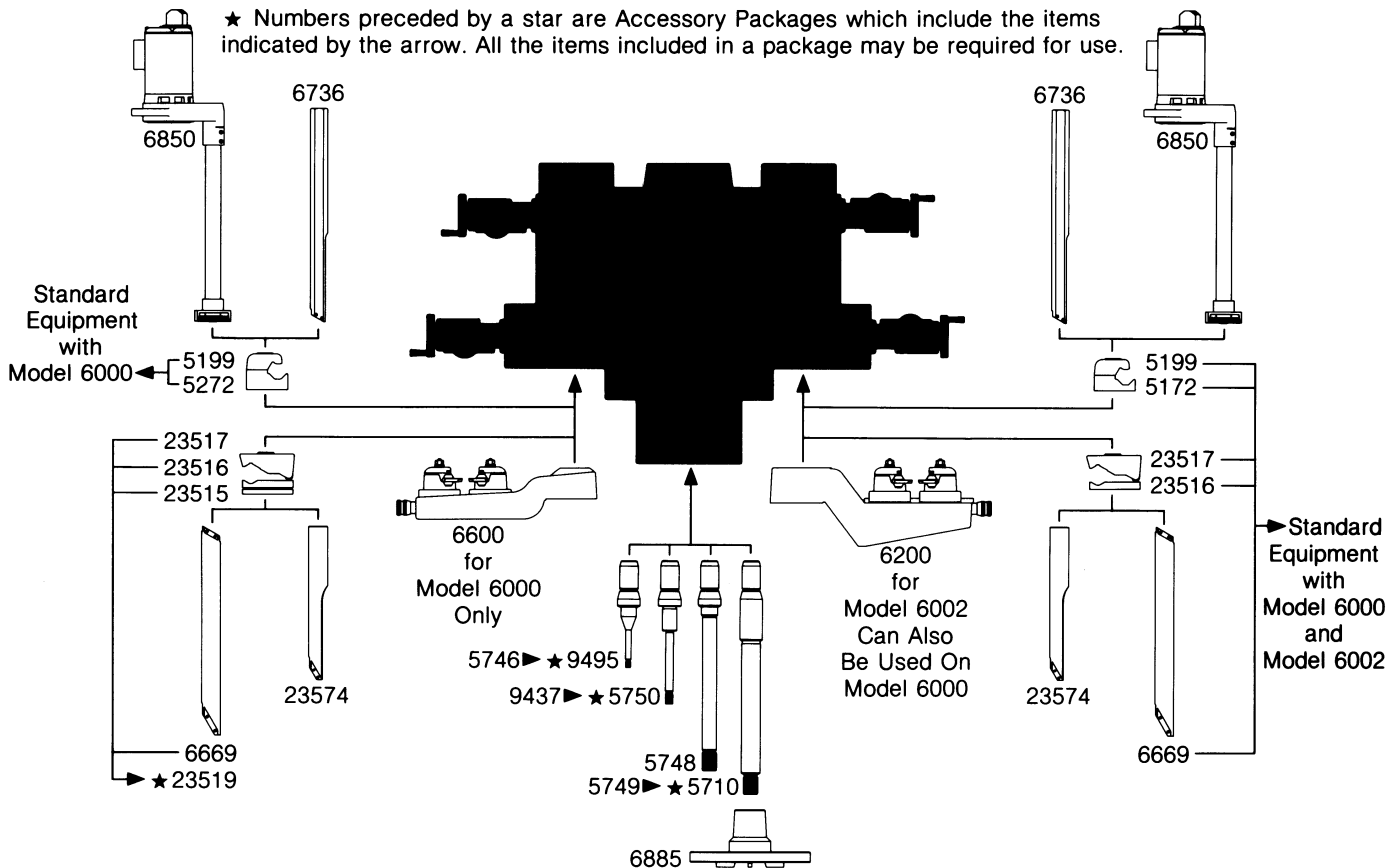
Table of Contents

Accessory & Usage Chart	2
Drive Motor Bracket Assembly	3
Spindle Housing Assembly	4
Base & Bead Assembly	5
Saddle Assembly	6
Control Box Assembly	7
Gear Box Assembly	8
Limit Switch Assembly	9
Dovetail & Wiper Cover Assembly	10

Parts Identification

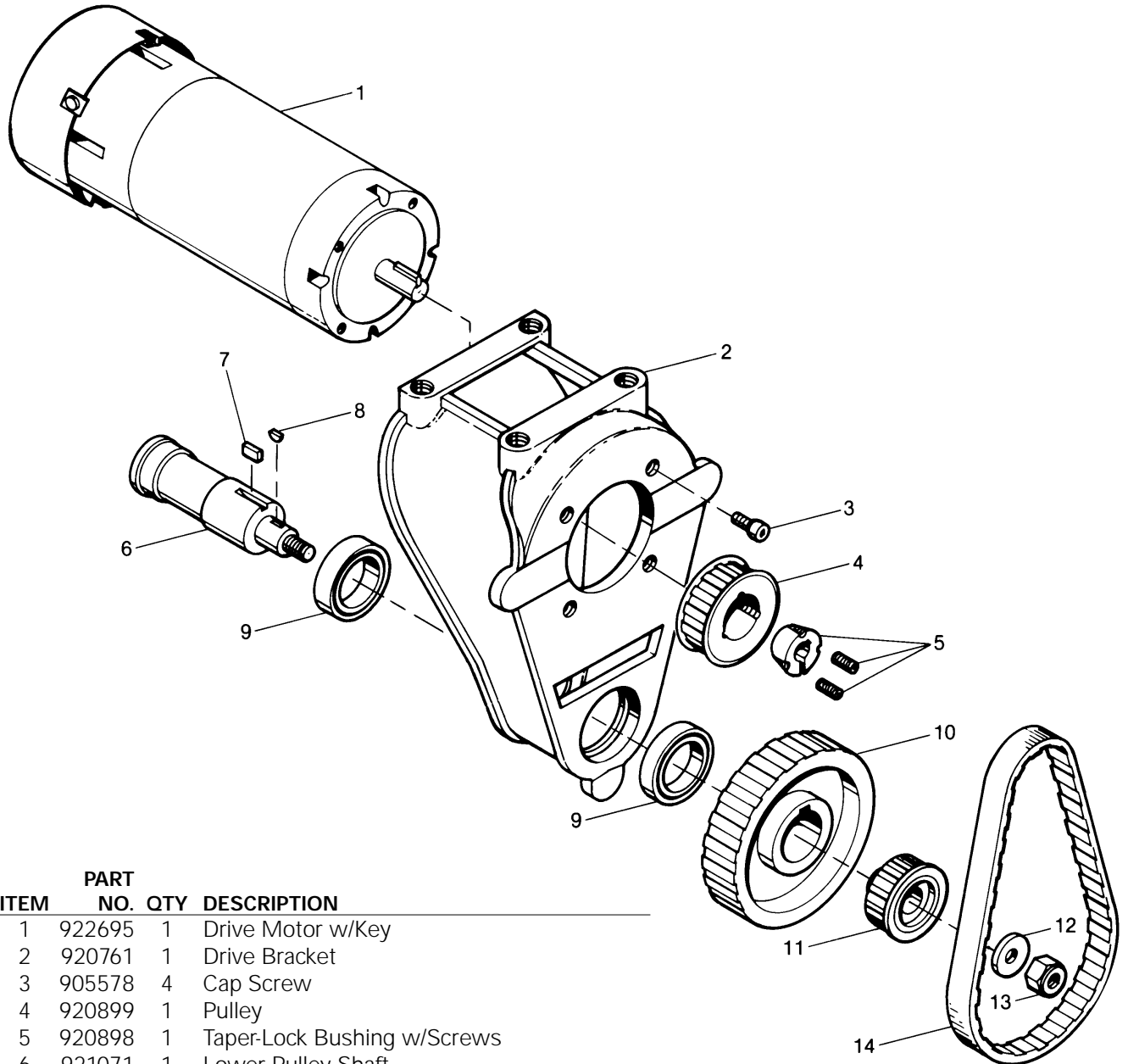
The following pages include full parts breakdowns with exploded view illustrations to help with ordering replacement or spare parts. Assemblies are noted where it is recommended that individual parts not be ordered separately. These parts are available only as assemblies because some parts are staked, pinned, or press fitted, then drilled, machined, or bored. Close tolerances must be maintained in assembly. Every effort is made to supply accurate exploded views, however, due to interim changes in manufacturing operations, some units may not be exactly as illustrated.

Accessory and Usage Chart



Parts Identification

Drive Motor Bracket Assembly



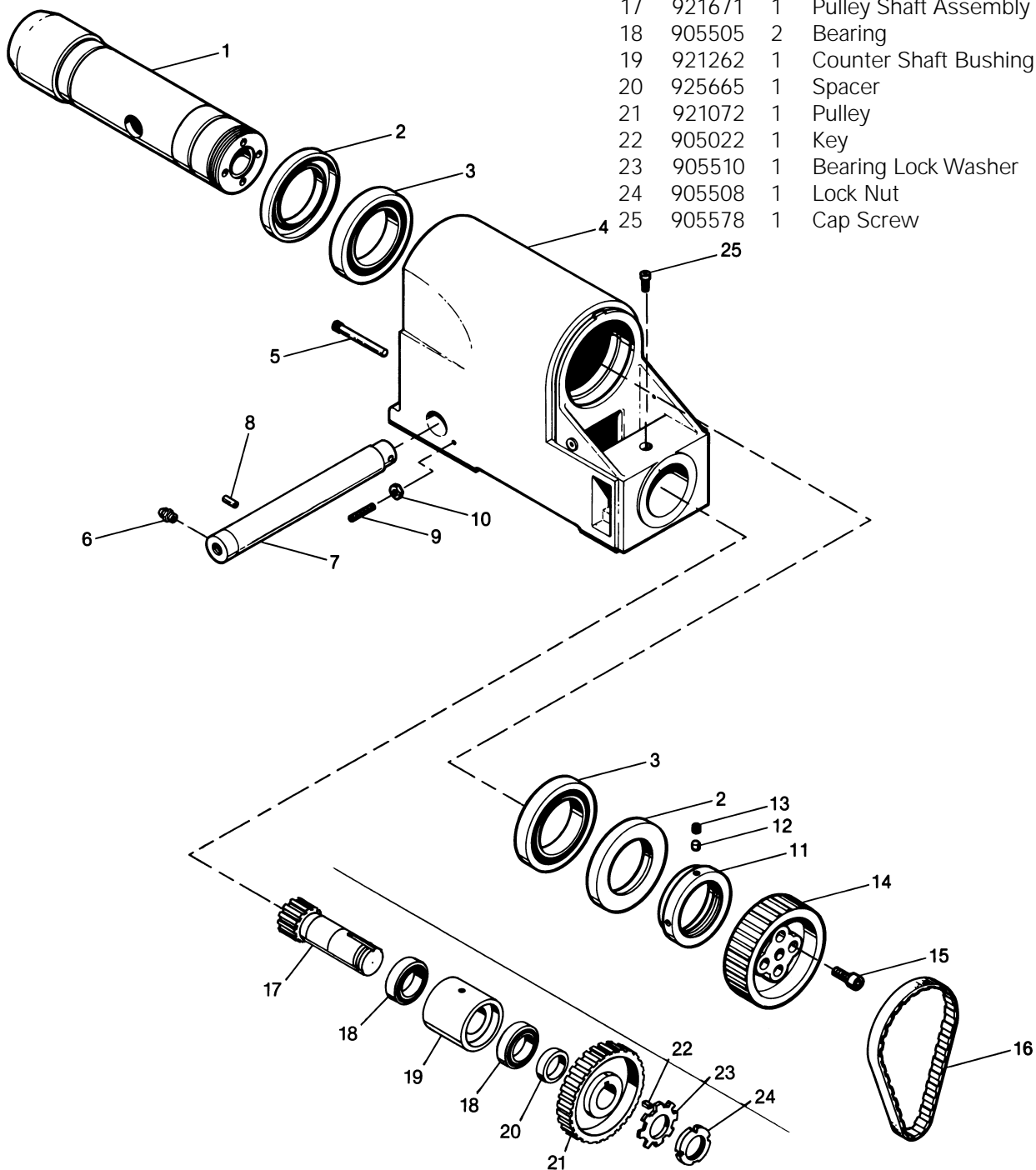
ITEM	PART NO.	QTY	DESCRIPTION
1	922695	1	Drive Motor w/Key
2	920761	1	Drive Bracket
3	905578	4	Cap Screw
4	920899	1	Pulley
5	920898	1	Taper-Lock Bushing w/Screws
6	921071	1	Lower Pulley Shaft
7	905022	1	Key
8	920918	1	Woodruff Key
9	905505	2	Bearing
10	921072	1	Pulley
11	921315	1	Pulley
12	906941	1	Washer
13	920896	1	Lock Nut
14	920897	1	Drive Belt
15	921756	2	Replacement Brush

Parts Identification

Spindle Housing Assembly

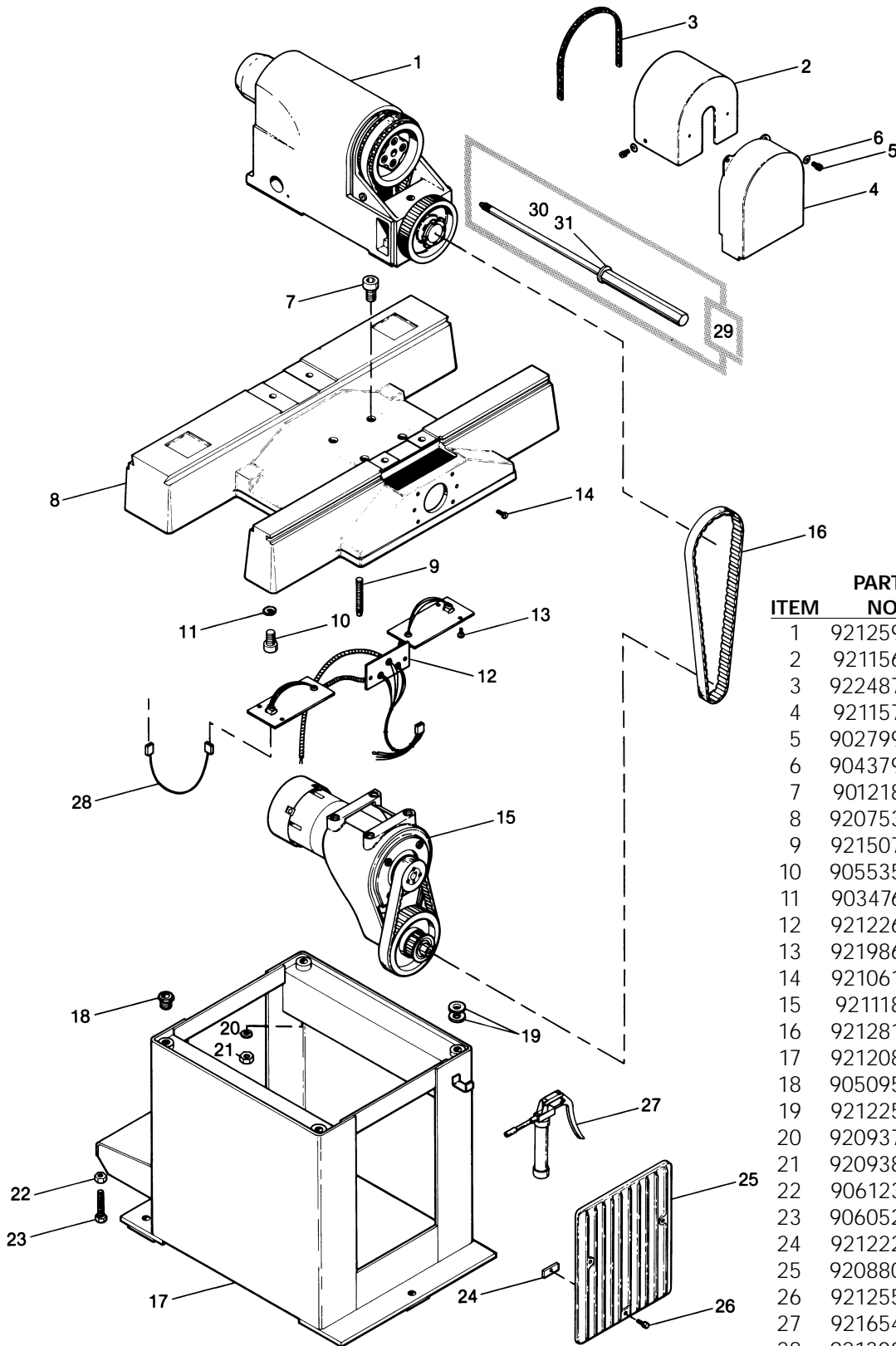
ITEM	PART NO.	QTY	DESCRIPTION
1	920760	1	Spindle
2	921264	2	Seal
3	921263	2	Bearing
4	920752	1	Spindle Housing
5	921273	2	Lock Rod
6	906853	2	Grease Fitting
7	922596	2	Lead Screw & Nut Assembly

ITEM	PART NO.	QTY	DESCRIPTION
8	904096	2	Roll Pin
9	905543	2	Set Screw
10	903528	2	Jam Nut
11	921261	1	Bearing Locknut
12	921267	1	Nylon Plug
13	902993	1	Set Screw
14	920762	1	Spindle Pulley
15	905535	4	Cap Screw
16	921265	1	Drive Belt
17	921671	1	Pulley Shaft Assembly
18	905505	2	Bearing
19	921262	1	Counter Shaft Bushing
20	925665	1	Spacer
21	921072	1	Pulley
22	905022	1	Key
23	905510	1	Bearing Lock Washer
24	905508	1	Lock Nut
25	905578	1	Cap Screw



Parts Identification

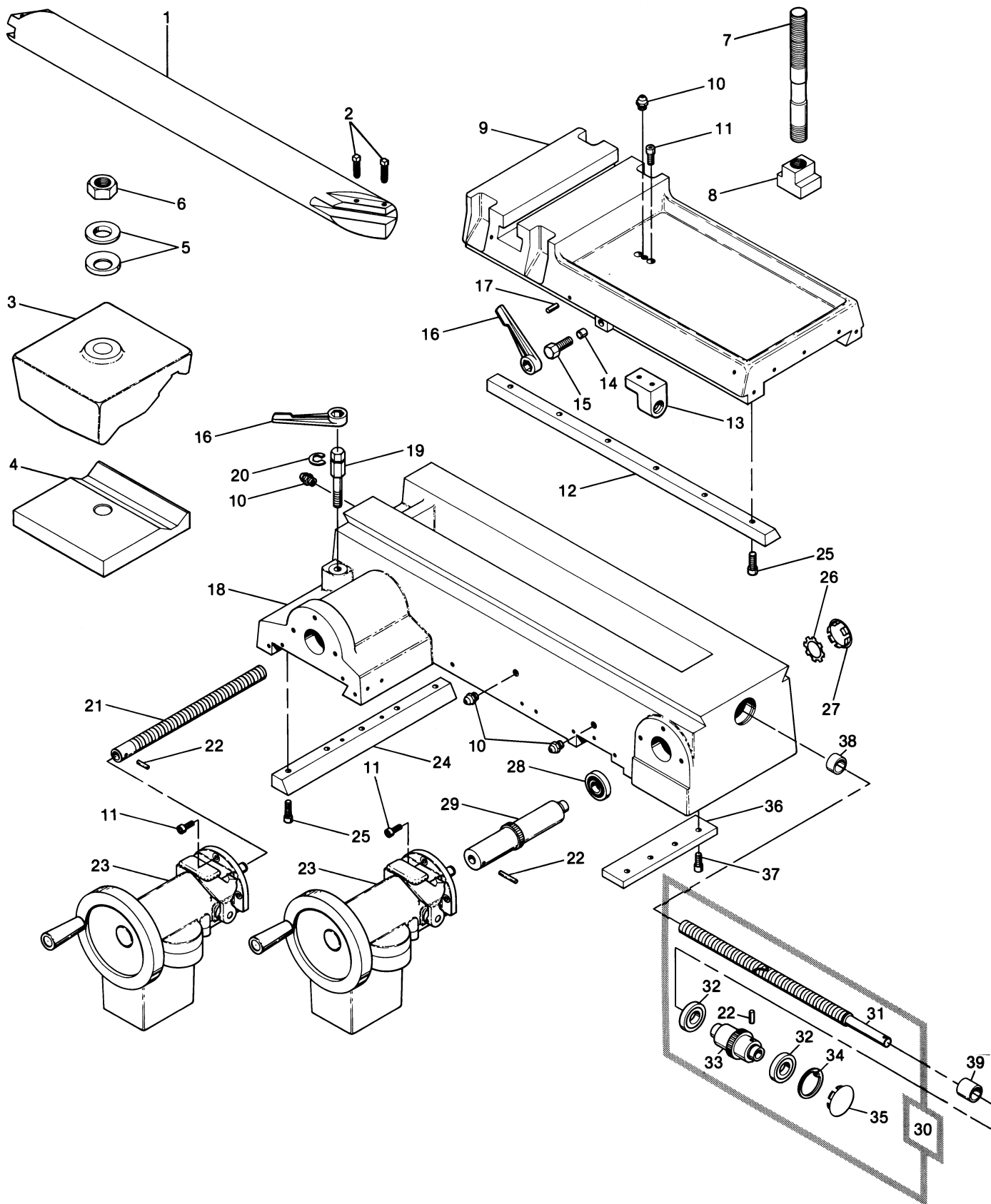
Base & Bed Assembly



PART			
ITEM	NO.	QTY	DESCRIPTION
1	921259	1	Spindle Housing Assy
2	921156	1	Upper Belt Guard
3	922487	1	Upper Belt Guard Seal
4	921157	1	Lower Belt Guard
5	902799	4	Cap Screw
6	904379	4	Washer
7	901218	4	Screw
8	920753	1	Bed
9	921507	4	Stud
10	905535	4	Sc rew
11	903476	4	Lock Washer
12	921226	1	Bed Wiring Assy
13	921986	4	Screw
14	921061	2	Screw
15	921118	1	Motor Bracket Assy
16	921281	1	Drive Belt
17	921208	1	Base Weldment
18	905095	1	Jack Screw
19	921225	3	Spherical Washer Set
20	920937	4	Lock Washer
21	920938	4	Nut
22	906123	2	Nut
23	906052	2	Screw
24	921222	6	Access Lock
25	920880	2	Access Panel
26	921255	6	Nylock Cap Screw
27	921654	1	Grease Gun
28	921300	2	Jumper Wire
29	921327	1	Drawbar Assembly
30	922127	1	Retaining Ring
31	921331	1	Drawbar Washer

Parts Identification

Saddle Assembly (Right Hand Illustrated)

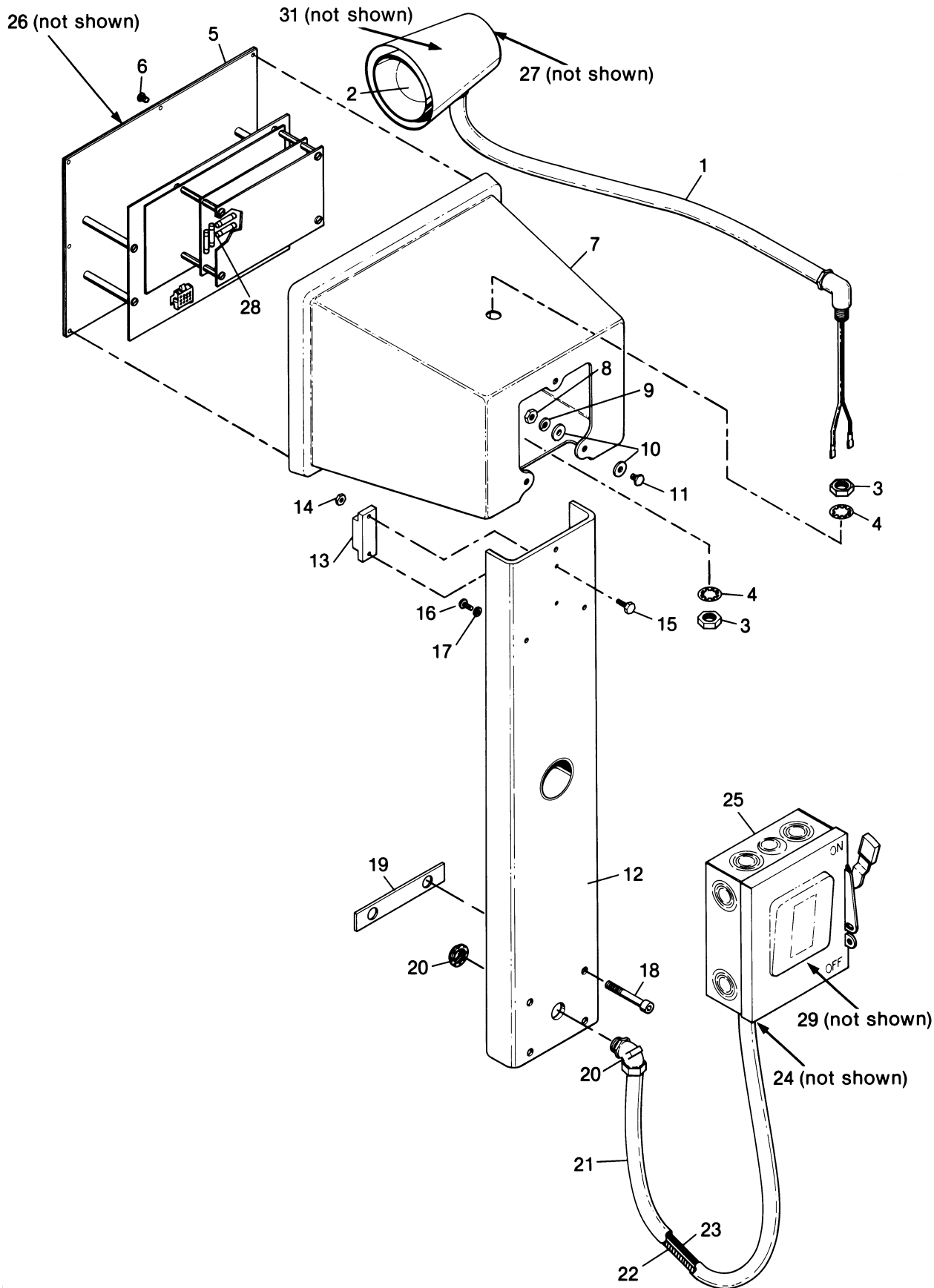


Parts Identification

ITEM	PART NO.	QTY	DESCRIPTION
1	906669	1	Boring Bar
2	905689	2	Square Head Screw
3	923517	1	Top Boring Bar Clamp
4	923516	1	Boring Bar Base Plate
5	905198	1	Spherical Washer Set
6	905190	1	Clamp Nut
7	921326	1	Stud
8	921325	1	"T" Nut
9	920754	1	Cross Slide, RH
	920755	1	Cross Slide, LH
10	902999	4	Grease Fitting
11	921256	8	Cap Screw
12	921239	1	Cross Slide Gib
13	921069	1	Lead Screw Nut
14	921243	1	Plug
15	921242	1	Lock Stud
16	920673	2	Lock Handle
17	906940	1	Roll Pin
18	922599	1	Saddle, RH
	922598	1	Saddle, LH
19	921241	1	Lock Stud
20	905639	1	E-Ring
21	921308	1	Lead Screw
22	906424	3	Roll Pin
23	920850	2	Gear Box Assembly
24	921240	1	Saddle Gib
25	921255	11	Cap Screw
26	922135	1	Circular Retaining Ring
27	906446	1	Plug Button
28	921707	1	Bearing
29	921286	1	Driving Shaft
30	921234	1	Lead Screw Assembly
31	921235	1	Lead Screw
32	921233	2	Bearing
33	921236	1	Driven Shaft
34	921244	1	Retaining Ring
35	922136	1	Plug Button
36	921245	1	Hold Down
37	906772	4	Hex Head Cap Screw
38	905244	1	1? in. Spacer
39	922762	1	1 in. Spacer

Parts Identification

Control Box Assembly

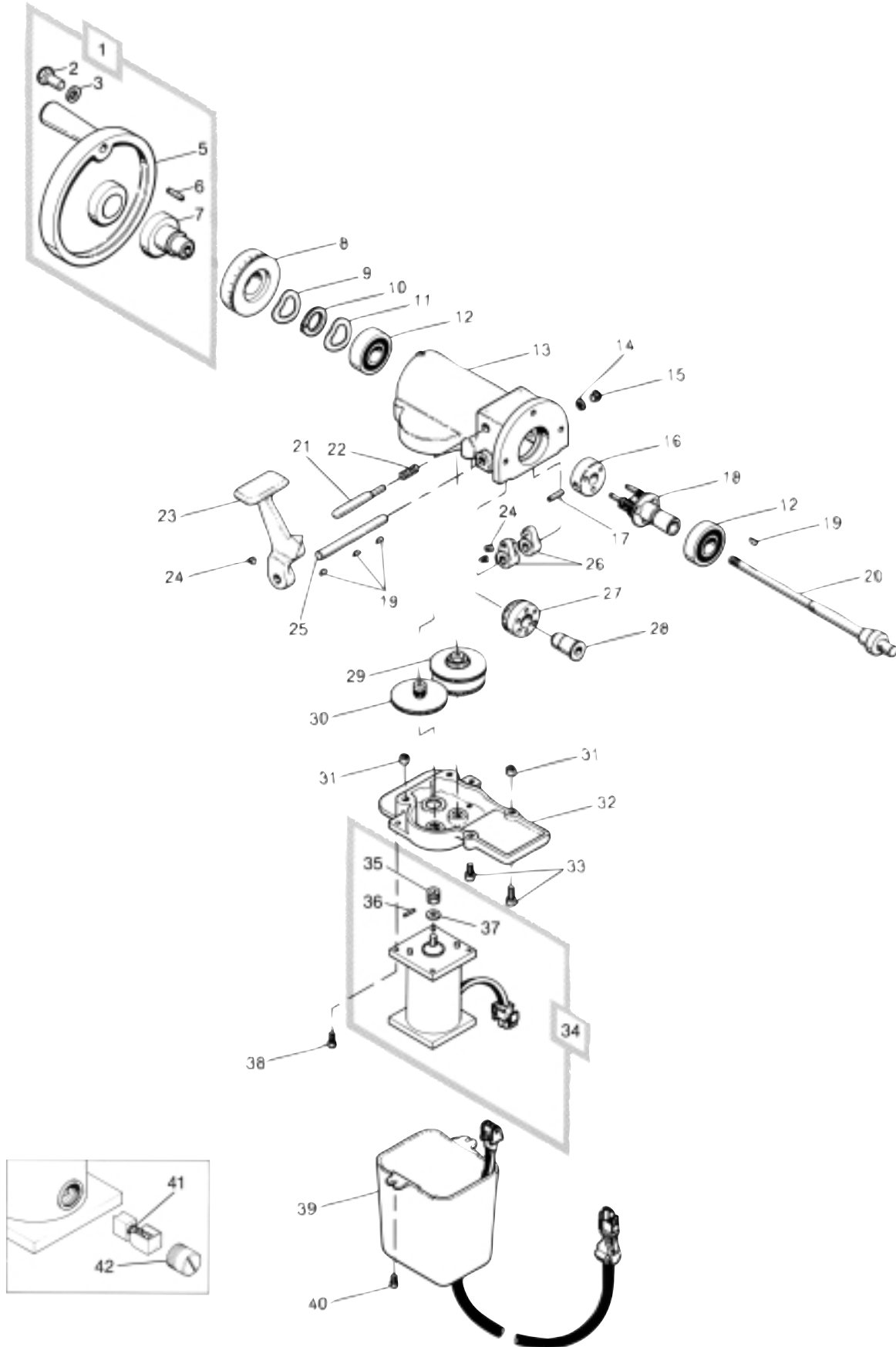


Parts Identification

ITEM	PART NO.	QTY	DESCRIPTION
1	921409	1	Lamp Assembly
2	922034	1	50 Watt Light Bulb, 220 V.
3	921411	2	Nut
4	921412	2	Lock Washer
5	921301	1	Control Panel Assembly
6	921094	8	Screw
7	920764	1	Control Box
8	903528	3	Nut
9	905592	3	Lock Washer
10	900336	6	Washer
11	905544	3	Screw
12	921332	1	Post Weldment
13	921336	1	Terminal Block
14	906492	2	Nut
15	922030	2	Screw
16	921972	1	Self-Tapping Screw
17	901926	1	Lock Washer
18	921228	4	Cap Screw
19	921324	1	Shim
20	921447	1	90° Connector
21	921449	6	Liquid Tight Flexible Conduit
22	921451-01		12 1/2 Line Wire
23	921451-02		12 1/2 Line Wire
**24	921448	1	Straight Connector
25	922033	1	Disconnet Box Assembly
	922482	1	CSA Disconnect Box Assembly
**26	921762	1	Pilot Lamp for Main Power Switch
**27	922763	1	Replacement Lamp Switch and Socket
	922764	1	Lamp Switch Dust Boot Kit
28	922031	4	.5 amp, 250 V. Slow-Blow Fuse
29	922481	2	20 amp, 250 V., Class K5 Dual Element Cartridge Fuse
**30	922481	2	20 amp, 250 V., Class 5 Dual Element Cartridge Fuse
**31	925902	1	'O' Ring-Bulb Seal
**Not Shown			

Parts Identification

Gear Box Assembly

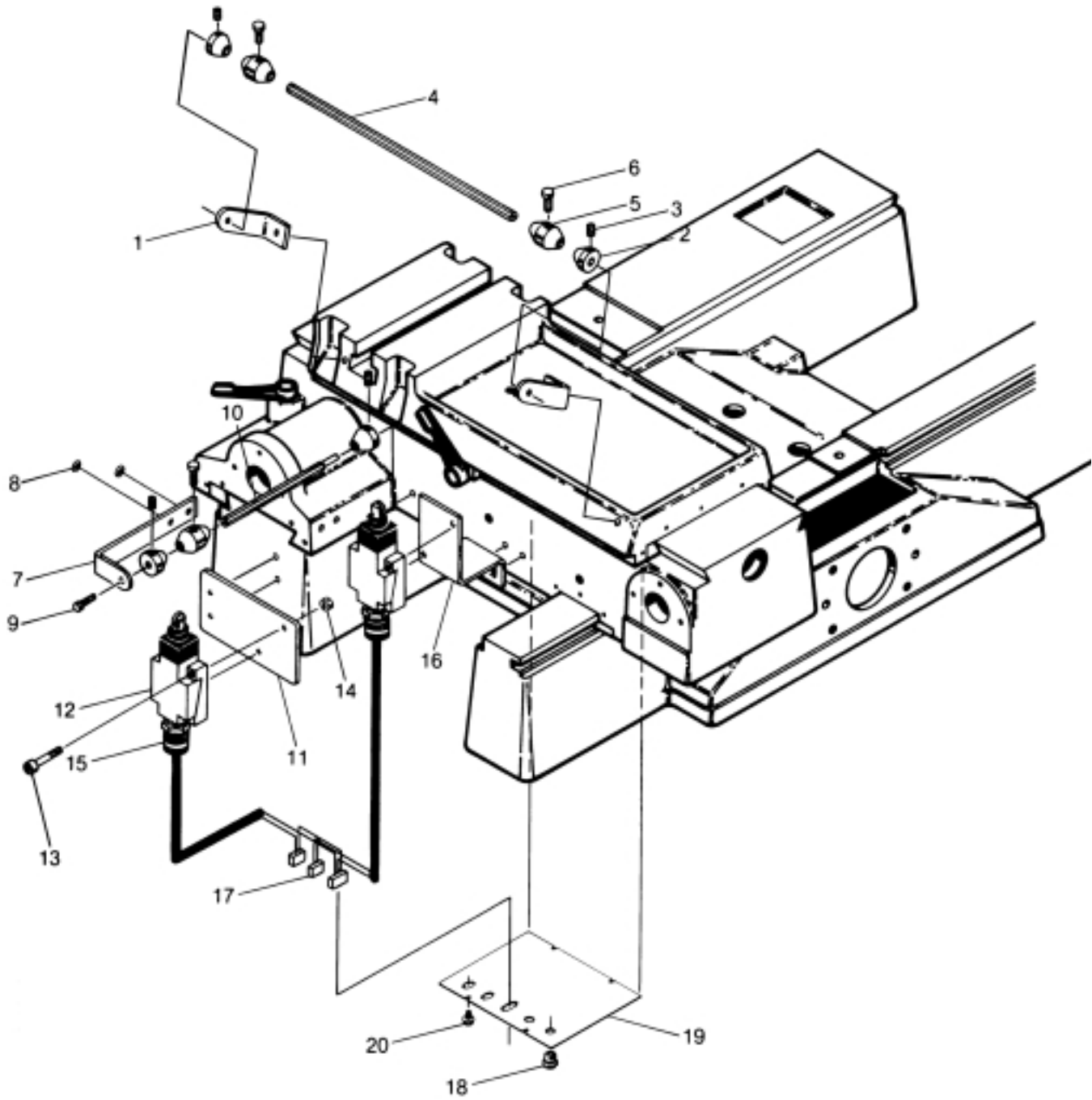


Parts Identification

ITEM	PART NO.	QTY	DESCRIPTION
1	920853	1	Stud
2	904639	1	O-Ring
3	920852	1	Handle
4	905541	1	Set Screw
5	920832	1	Hand Wheel
6	920862	1	Plug
7	903184	1	Lock Nut
8	906451	1	Washer
9	921080	1	Feed Dial
10	921081	1	Wave Washer
11	906289	1	Retaining Ring
12	920861	2	Bearing
13	920829	1	Gear Case
14	904789	1	Washer
15	921067	1	Cap Screw
16	920846	1	Clutch Block
17	903826	1	Roll Pin
18	920859	1	Clutch Assembly
19	906971	4	Woodruff Key
20	920847	1	Drive Shaft
21	920854	1	Detent Plunger
22	920870	1	Spring
23	920837	1	Shift Handle
24	900213	3	Set Screw
25	920835	1	Shifter Shaft
26	920834	2	Shifter
27	920841	1	Bevel Gear
28	920839	1	Support Bushing
29	921065	1	Drive Gear Assembly
30	921066	1	Driven Gear Assembly
31	921502	2	Bushing
32	920830	1	Cover
33	900205	4	Cap Screw
34	922005	1	Motor & Gear Assembly
35	922002	1	Gear
36	904292	1	Roll Pin
37	922001	1	Washer
38	925920	1	Washer
39	905646	4	Cap Screw
40	921083	1	Motor Cover Assembly
41	906254	2	Cap Screw
42	922003	2	Replacement Brush

Parts Identification

Limit Switch Assembly

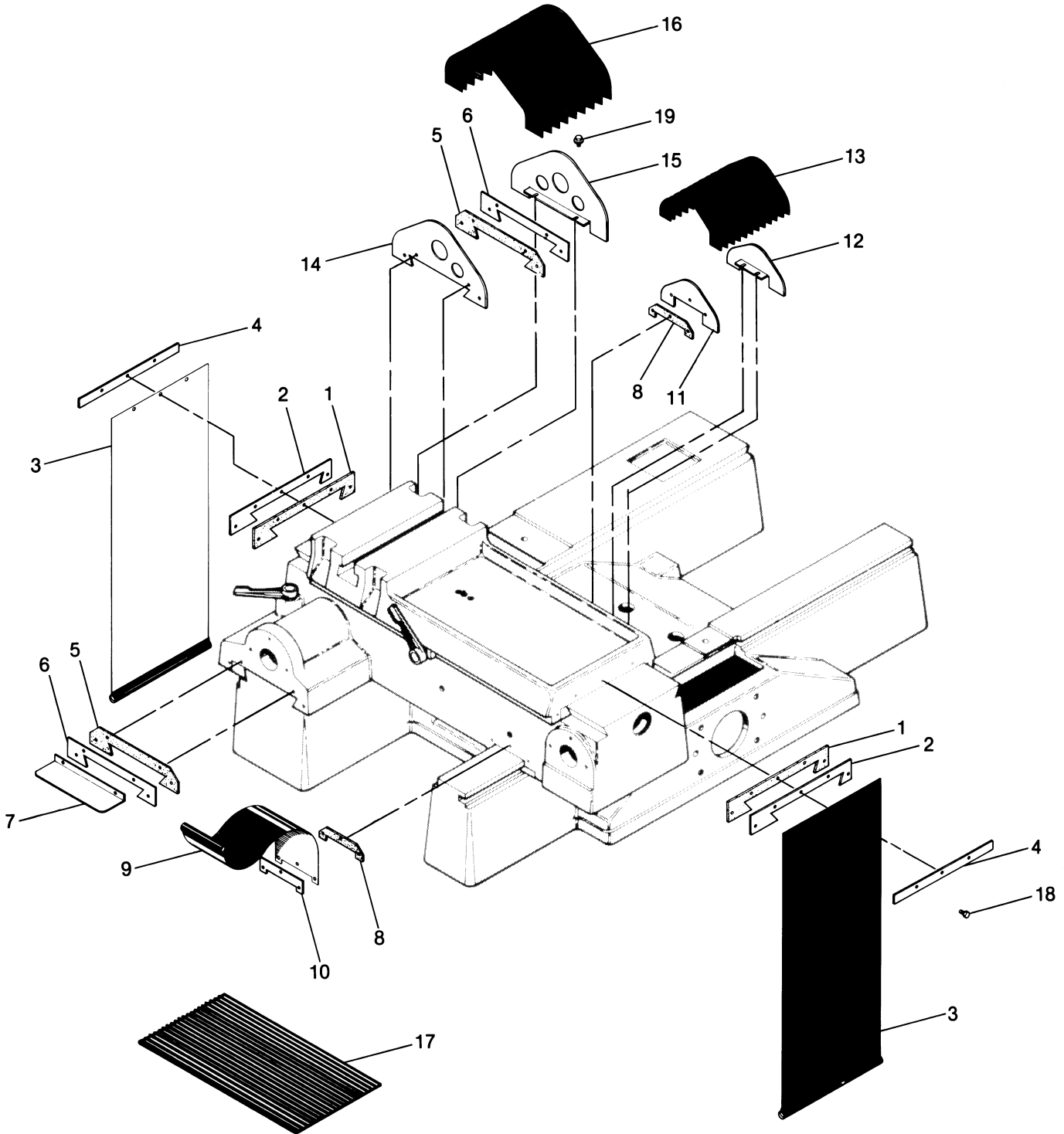


Parts Identification

ITEM	PART NO.	QTY	DESCRIPTION
1	922590	2	Cross Slide Rod Bracket
2	922591	8	End Stop
3	903338	8	Set Screw
4	922588	2	Cross Slide Rod
5	922589	6	Adjustable Stop
6	903084	6	Lock Screw
7	922594	2	Saddle Rod Bracket
8	904379	4	Washer
9	902189	22	Hex Head Screw
10	922587	2	Saddle Rod
11	922593	2	Saddle Microswitch Bracket
12	922582	4	Microswitch
13	922585	8	Socket Head Screw
14	911213	8	Nut
15	922583	4	Cord Grip
16	922592	2	Cross Slide Microswitch Bracket
17	922603	1	Limit Switch Wiring Harness-RH
	922602	1	Limit Switch Wiring Harness-LH
18	920259	4	Cord Grip
19	921253	2	Saddle Cover
20	921986	8	Self-Tapping Screw w/Washer

Parts Identification

Dovetail Wipers and Covers



Parts Identification

ITEM	PART NO.	QTY	DESCRIPTION
1	21304	4	Wiper
2	21303	4	Wiper Shield
3	21305	4	Dovetail Cover Assembly
4	21302	4	Cover Shield
5	21277	2	Front Wiper
6	21287	4	Wiper Shield (Outer)
7	21288	2	Dovetail Cover (Outer)
8	21269	4	Rear Wiper
9	21282	2	Rear Cover Assembly. (Outer)
10	21285	2	Wiper Shield (Outer)
11	21270	2	Wiper Shield (inner, Rear)
12	21272	2	Cover Bracket
13	21271	2	Rear Cover (inner)
14	21278	2	Wiper Shield (inner, Front)
15	21280	2	Front Cover (inner)
16	21279	2	Front Cover
17	21731	1	RH Cross Slide Mat
	21732	1	LH Gross Slide Mat
18	21985	48	Hex Head Self-Tapping Screw
19	21986	8	Self-Tapping Screw w/Washer

