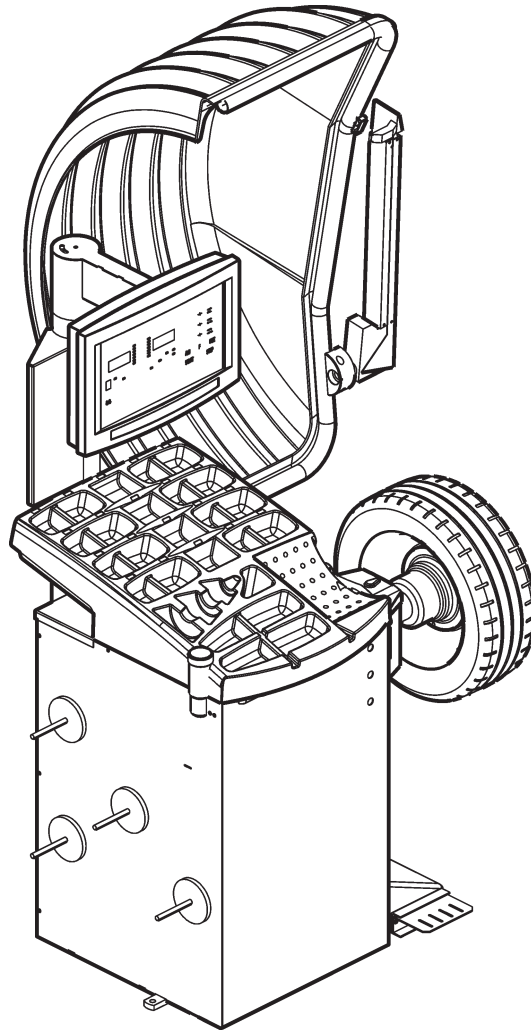




---

OPERATOR'S MANUAL



Premium High Volume Computer Wheel Balancer

# ACCU-TURN 1500

095-0\_March-02

1101

A

B

C

D

E

F

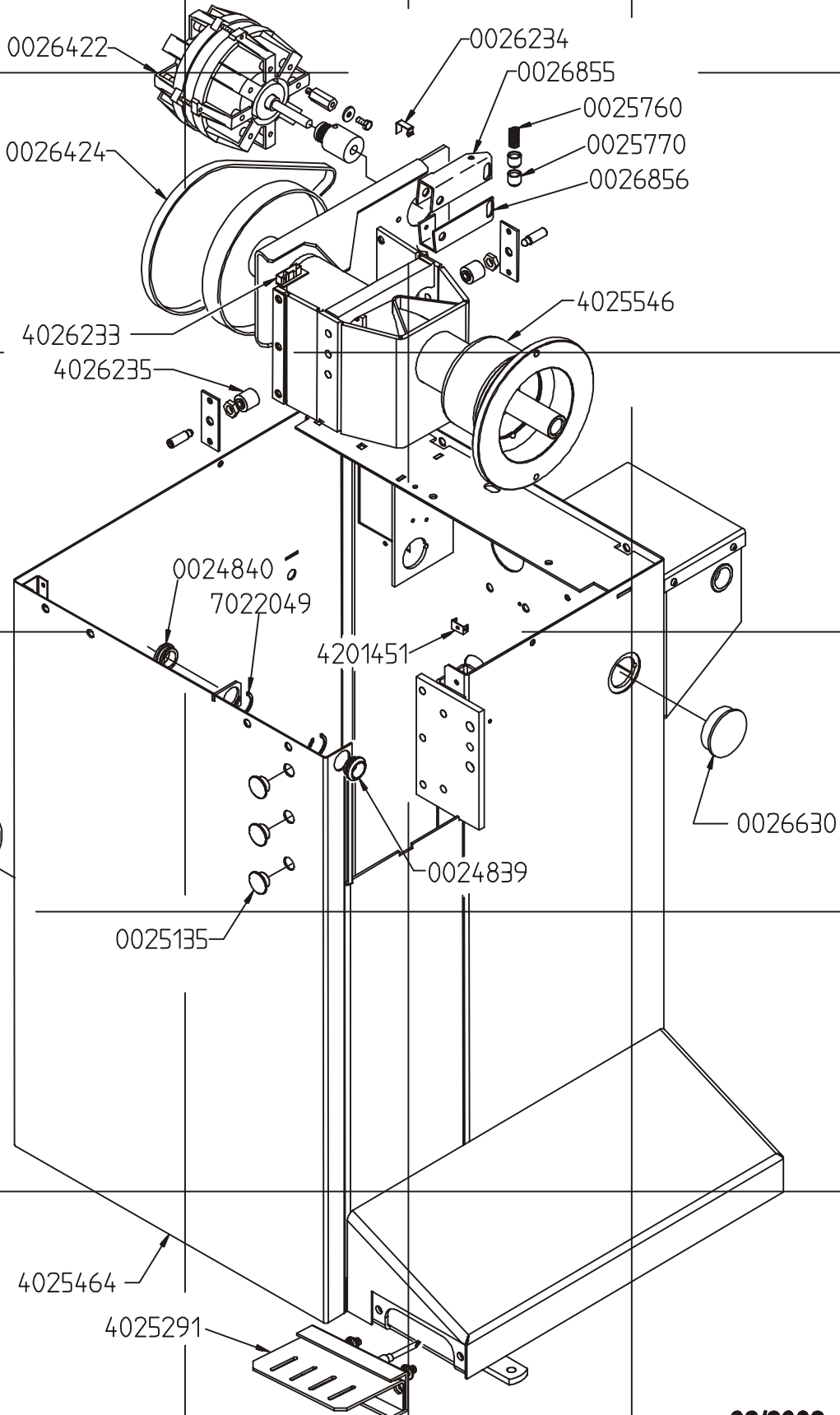
1

2

3

4

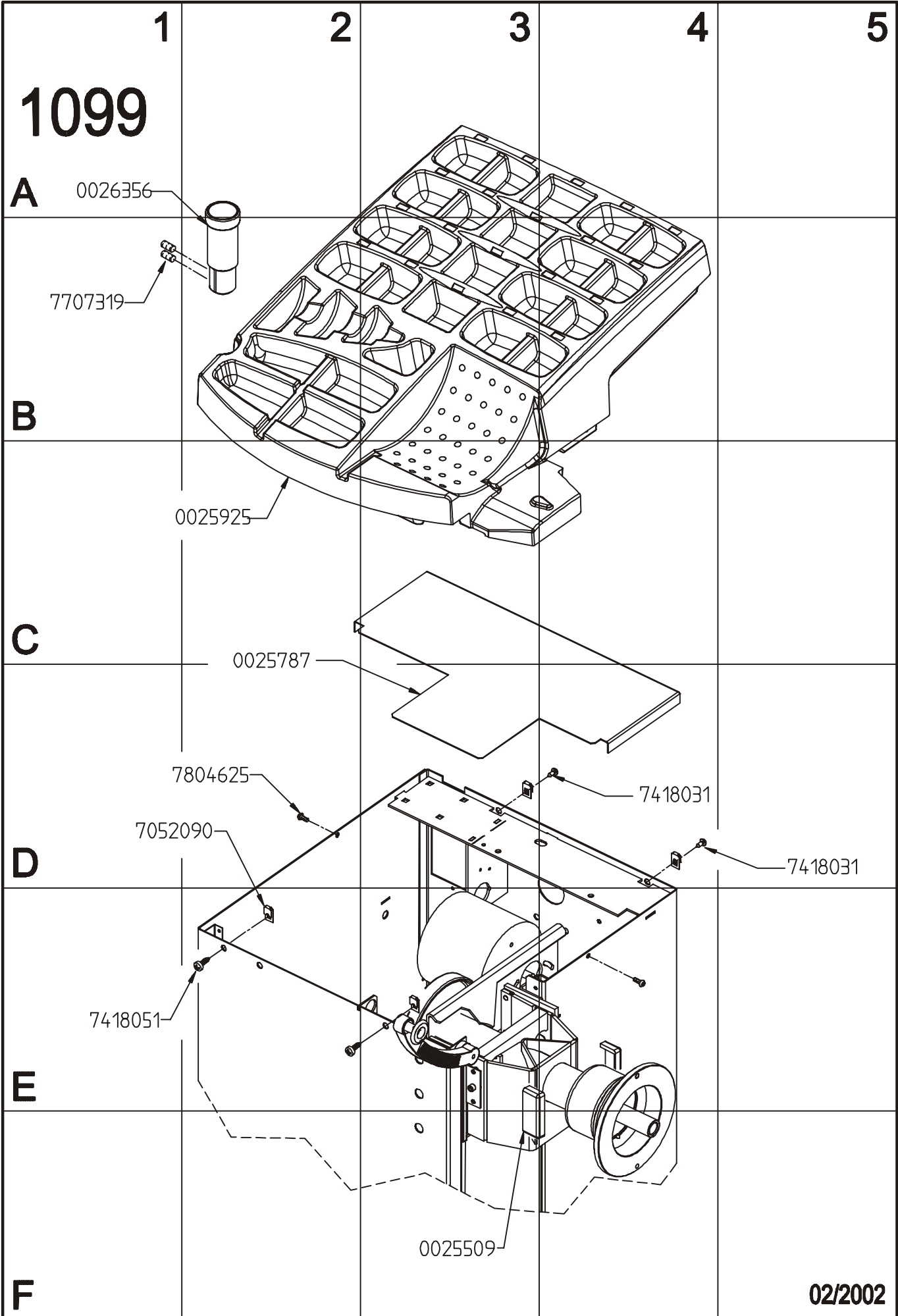
5



02/2002

095-0\_March-02

1099



02/2002

095-0\_March-02

1097

A

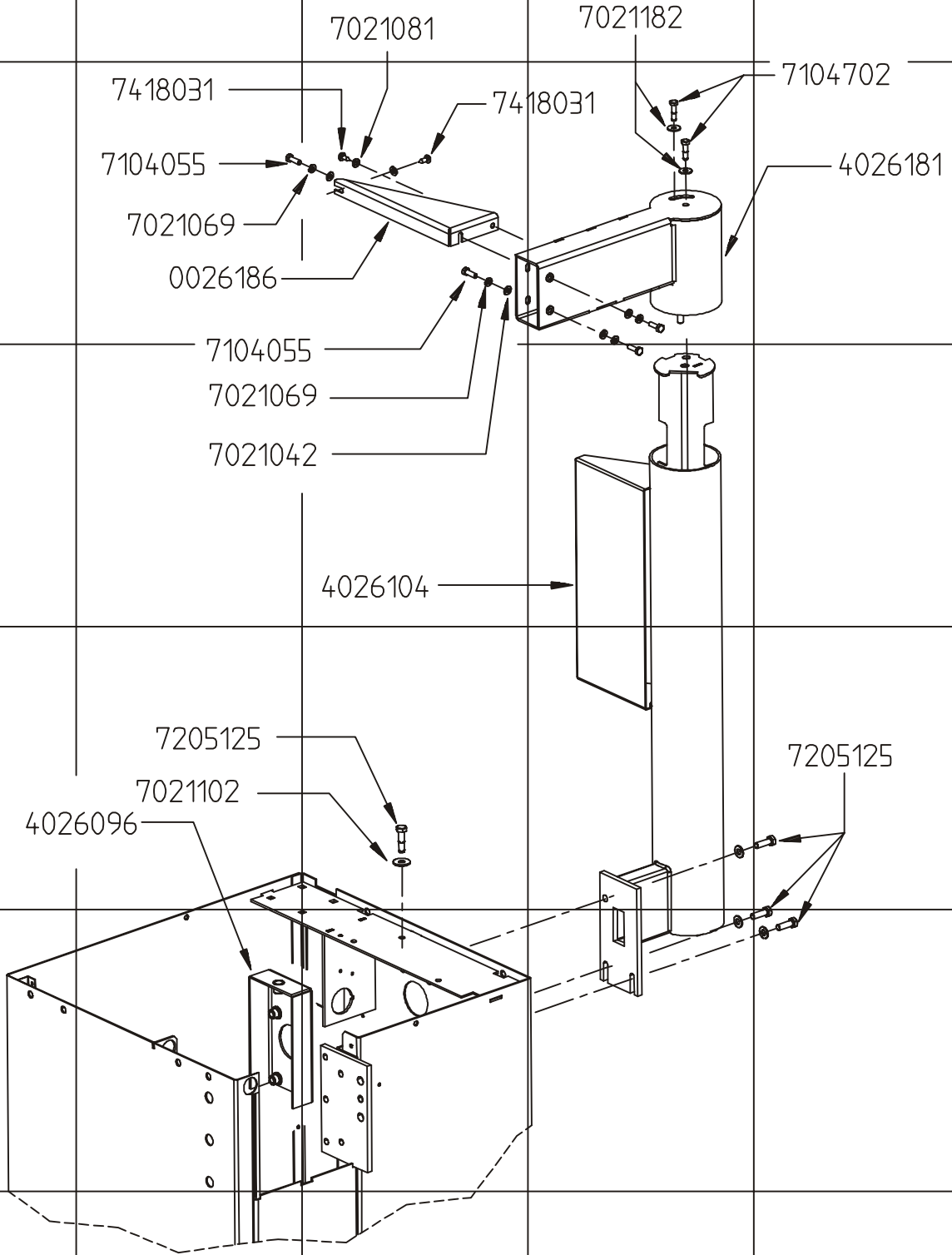
B

C

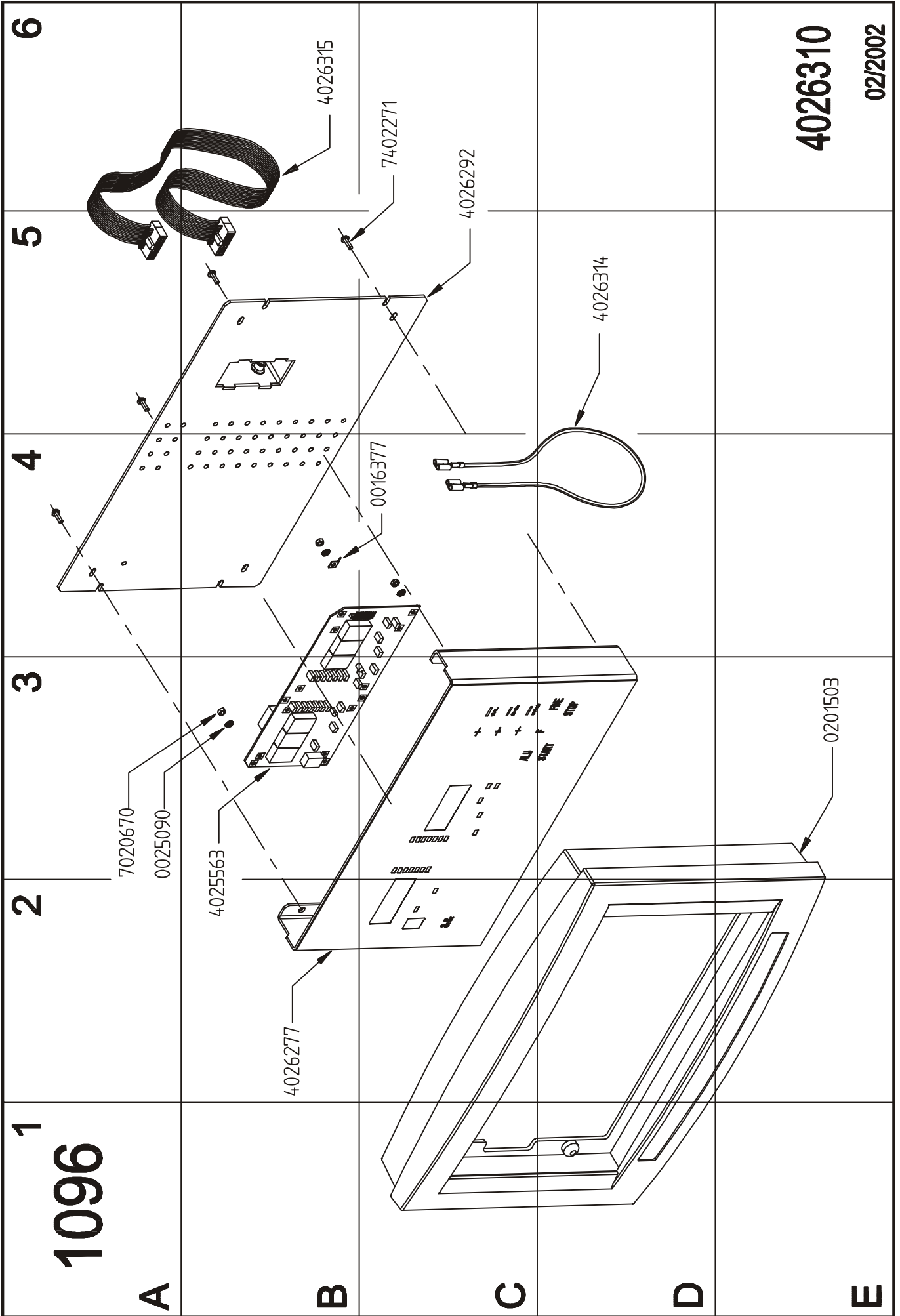
D

E

F

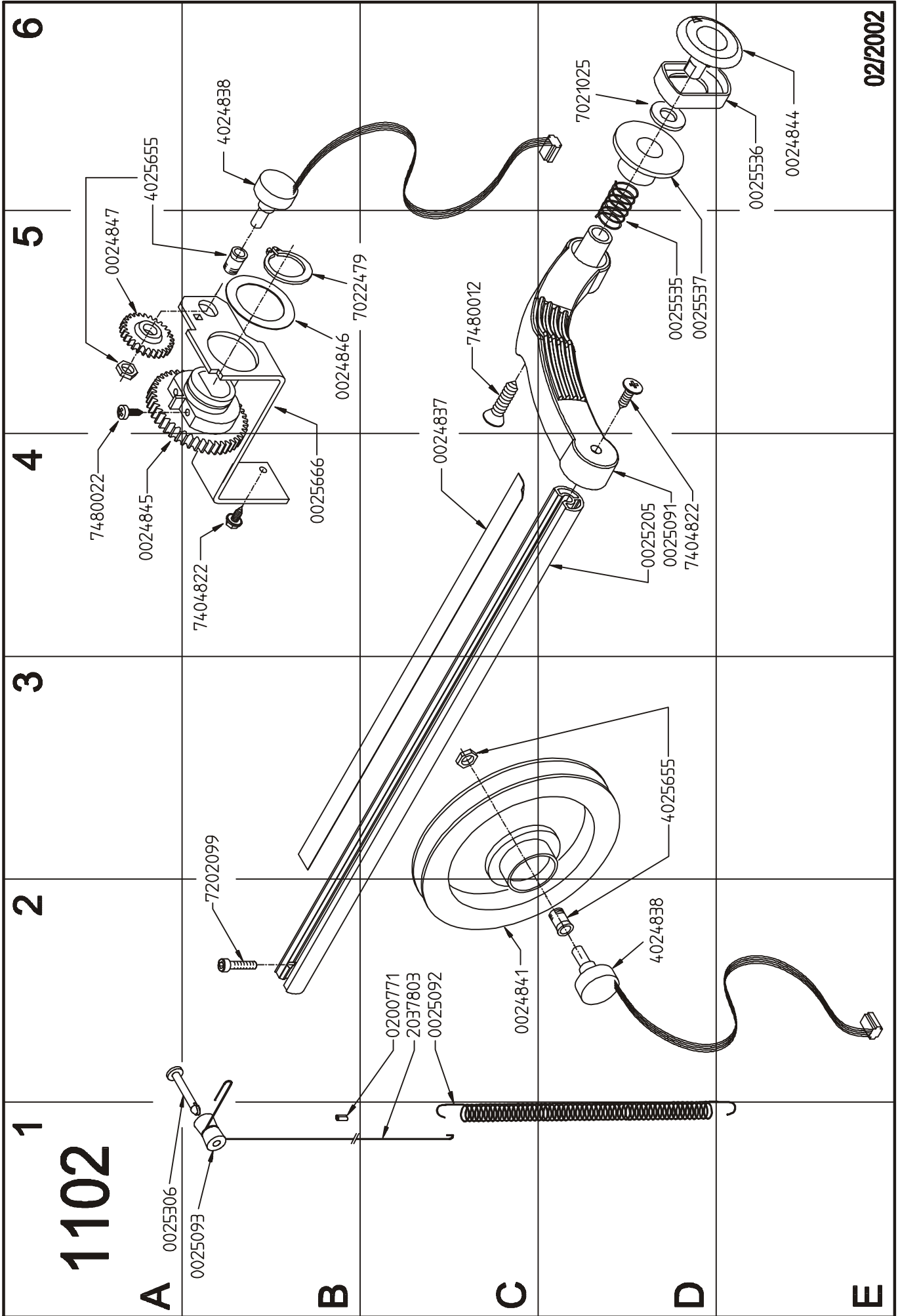


03/2002



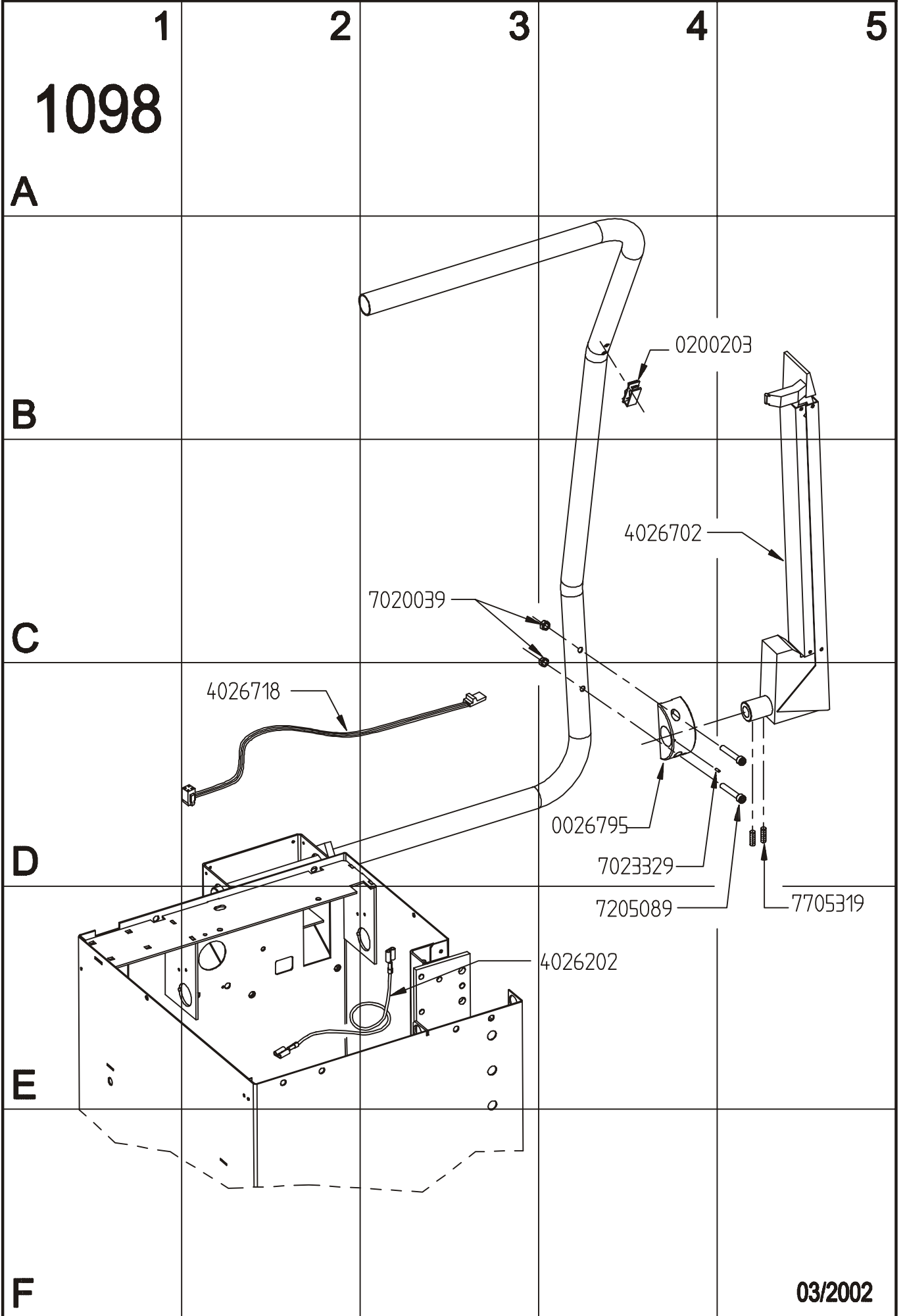
**4026310**

**02/2002**

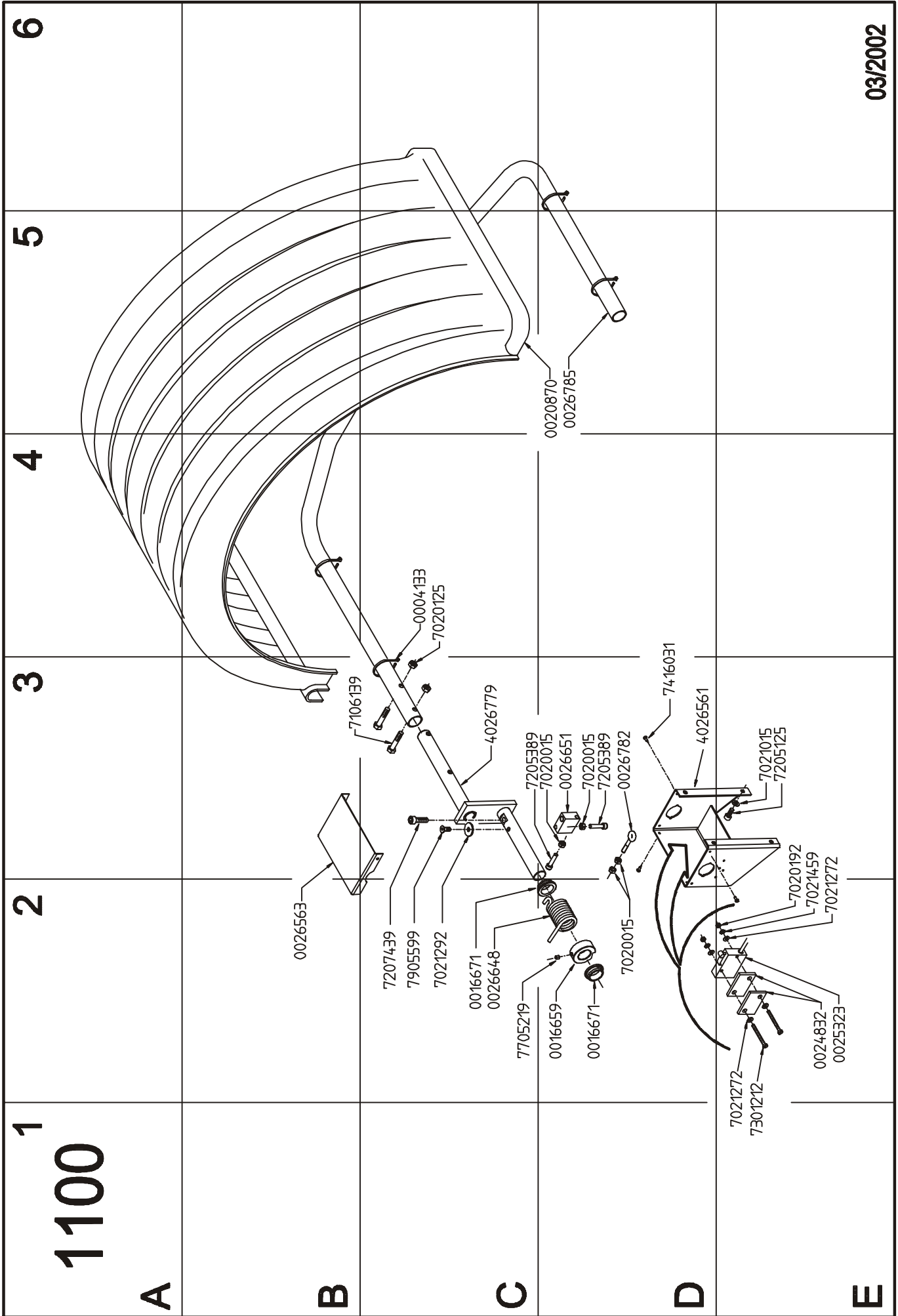


095-0\_March-02

1098



03/2002

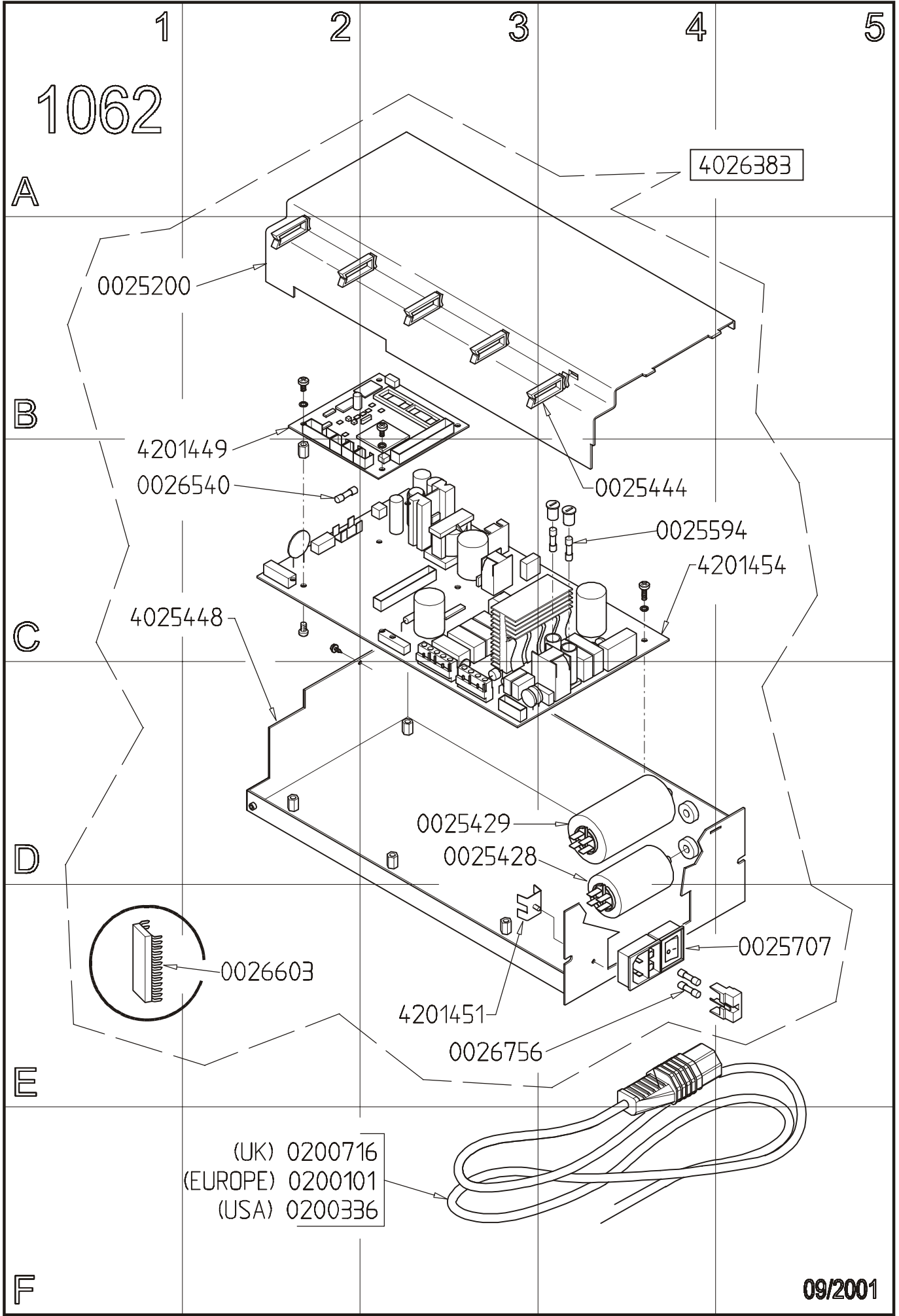


03/2002



095-0\_March-02

1062



(UK) 0200716  
 (EUROPE) 0200101  
 (USA) 0200336

09/2001

