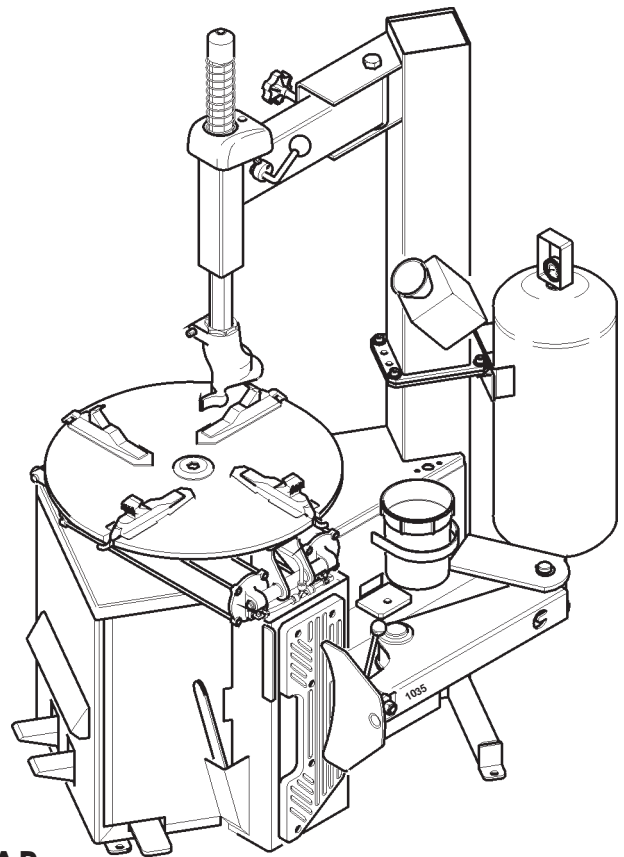


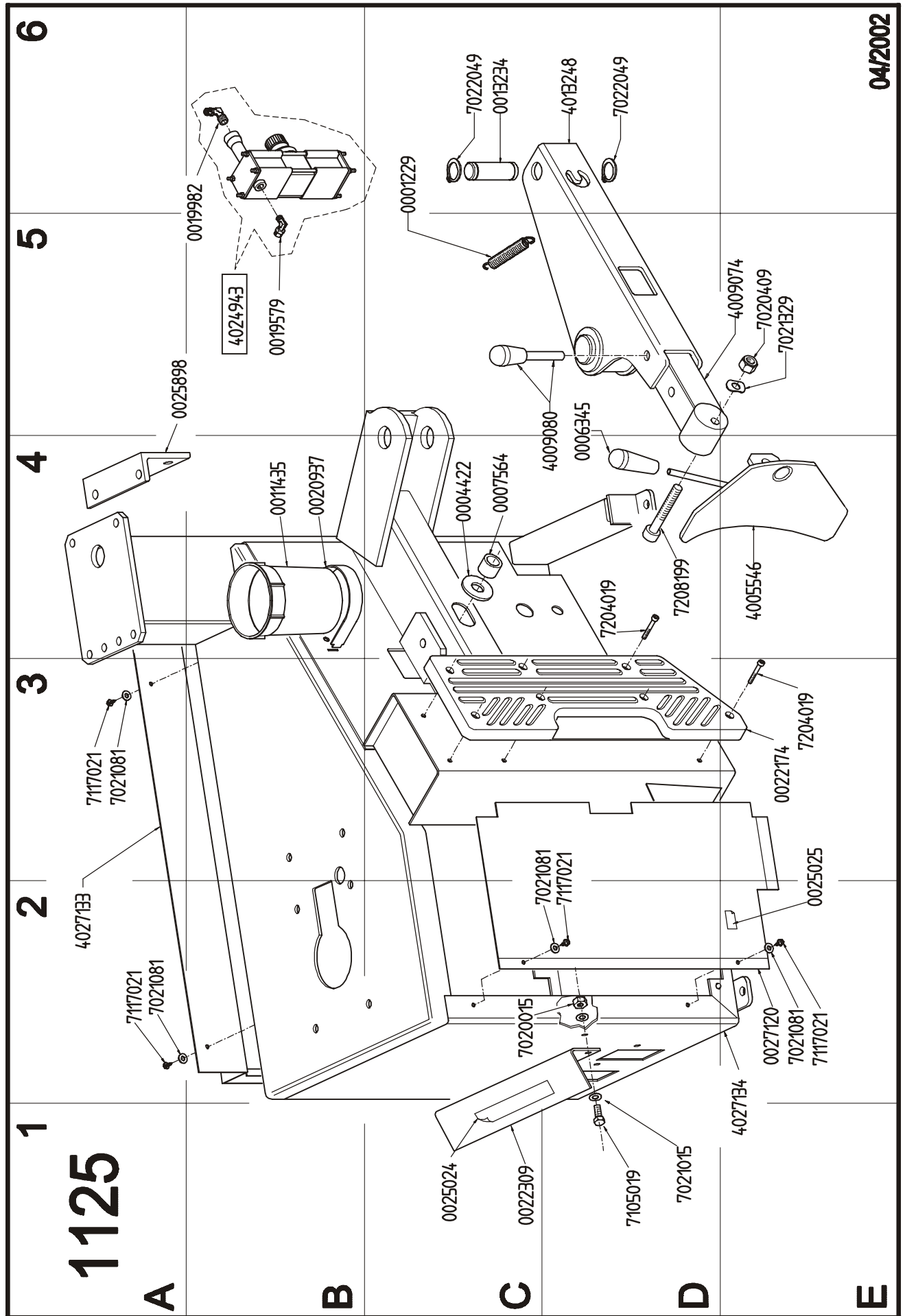


ACCU 3602

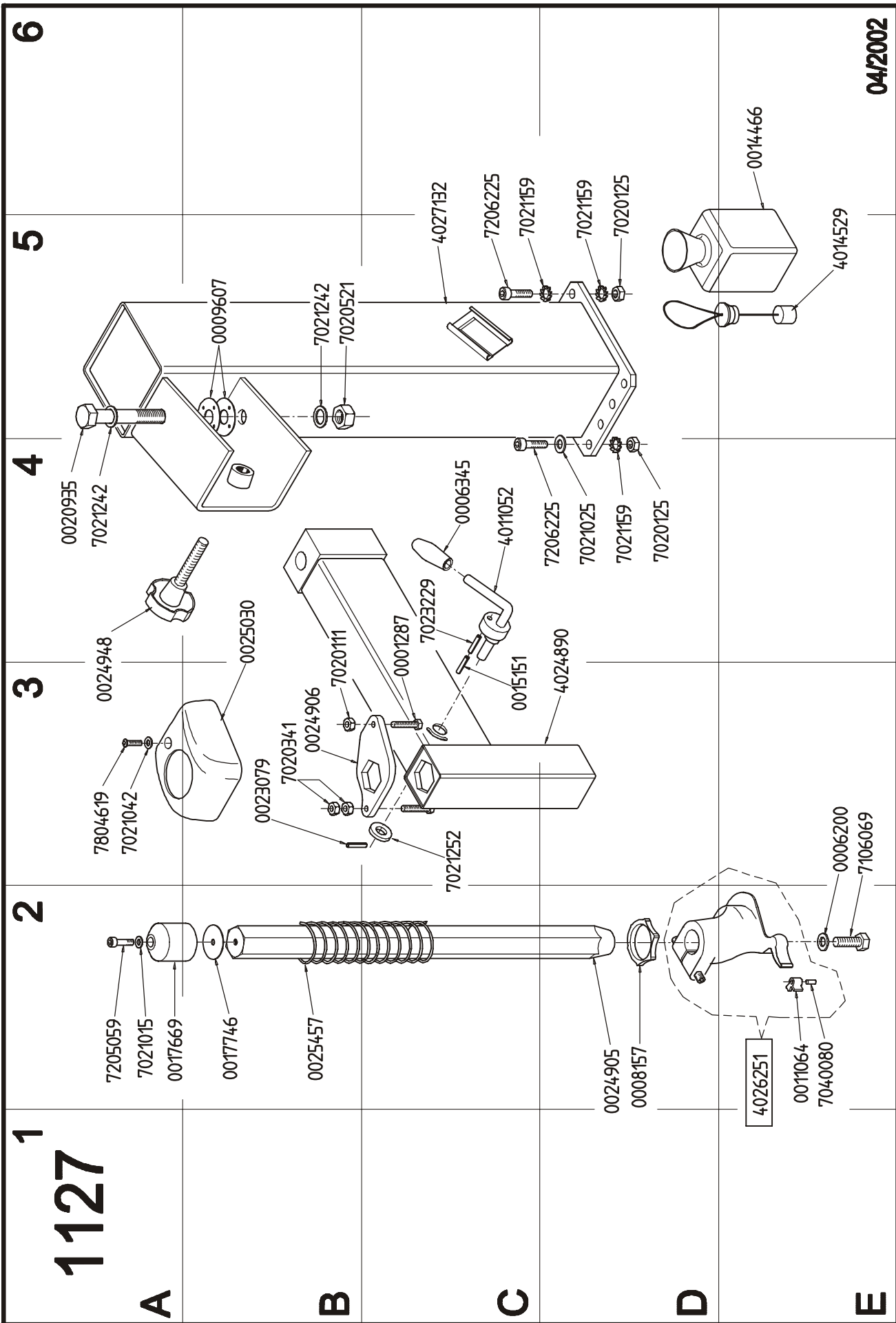


**ELECTRIC-AIR TIRE CHANGER FOR CAR,
LIGHT TRUCK AND MOTORCYCLE WHEELS**

OPERATOR'S MANUAL
SPARE PARTS EXPLODED DRAWINGS



04/2002



6

5

4

3

2

1

1126

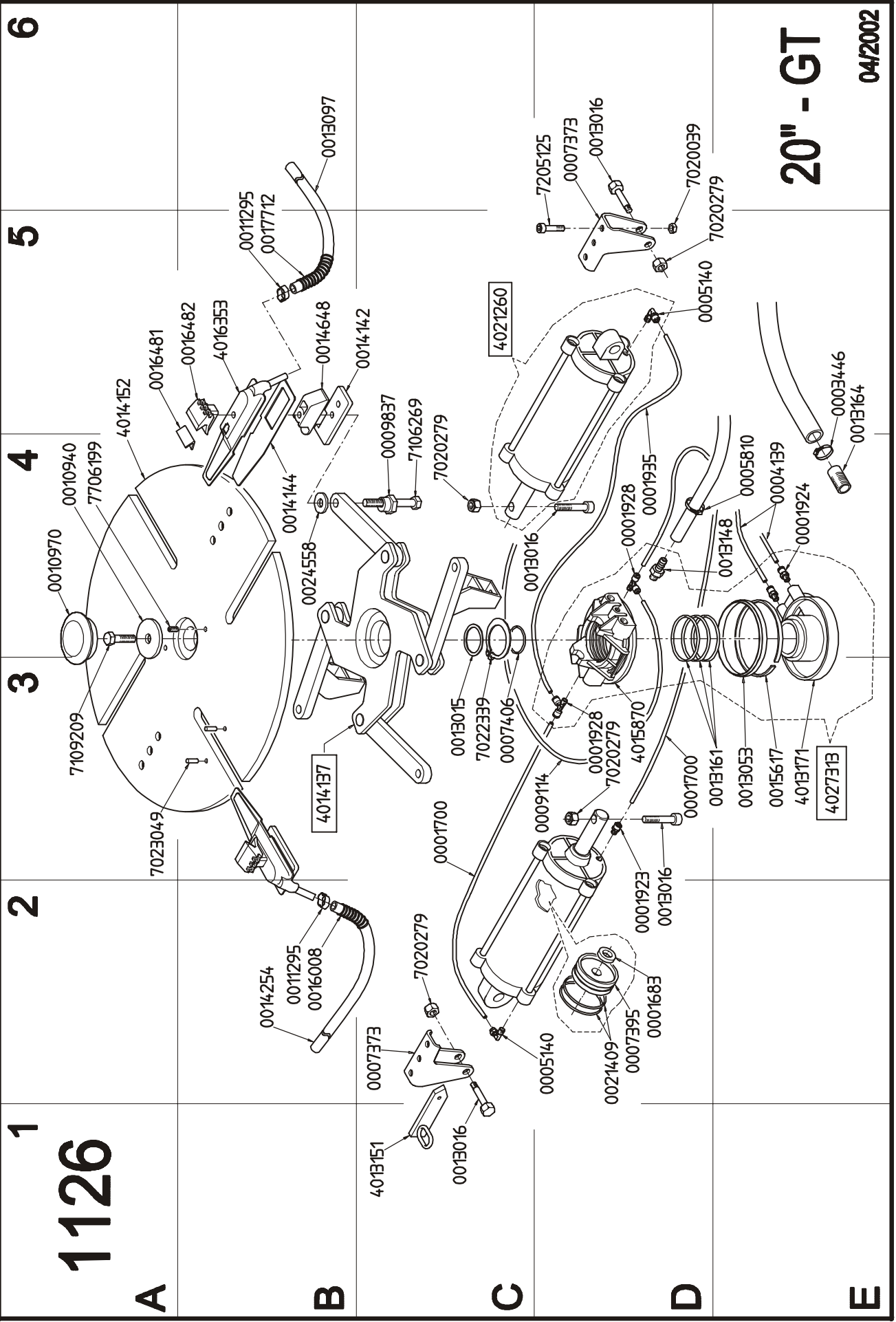
A

B

C

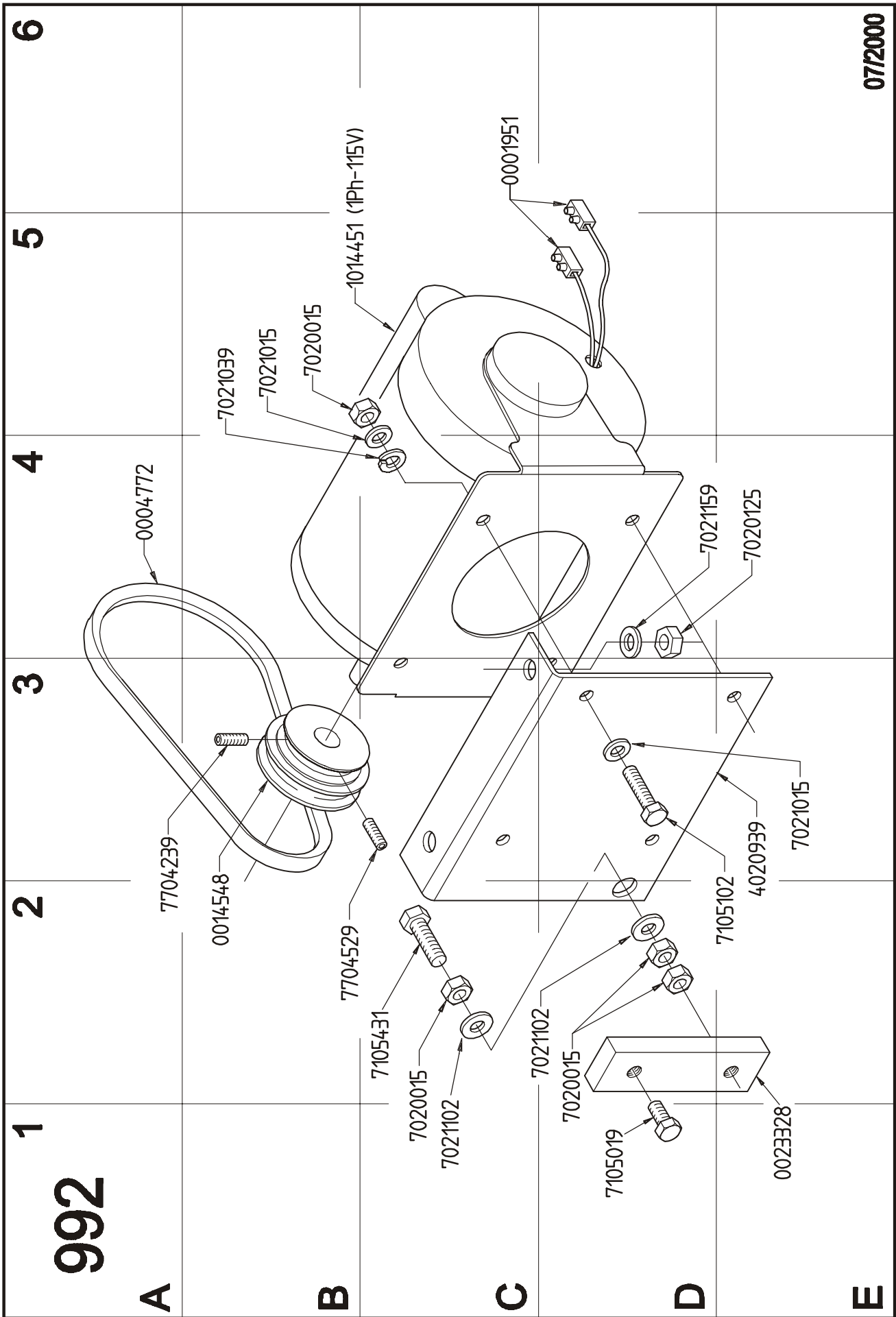
D

E

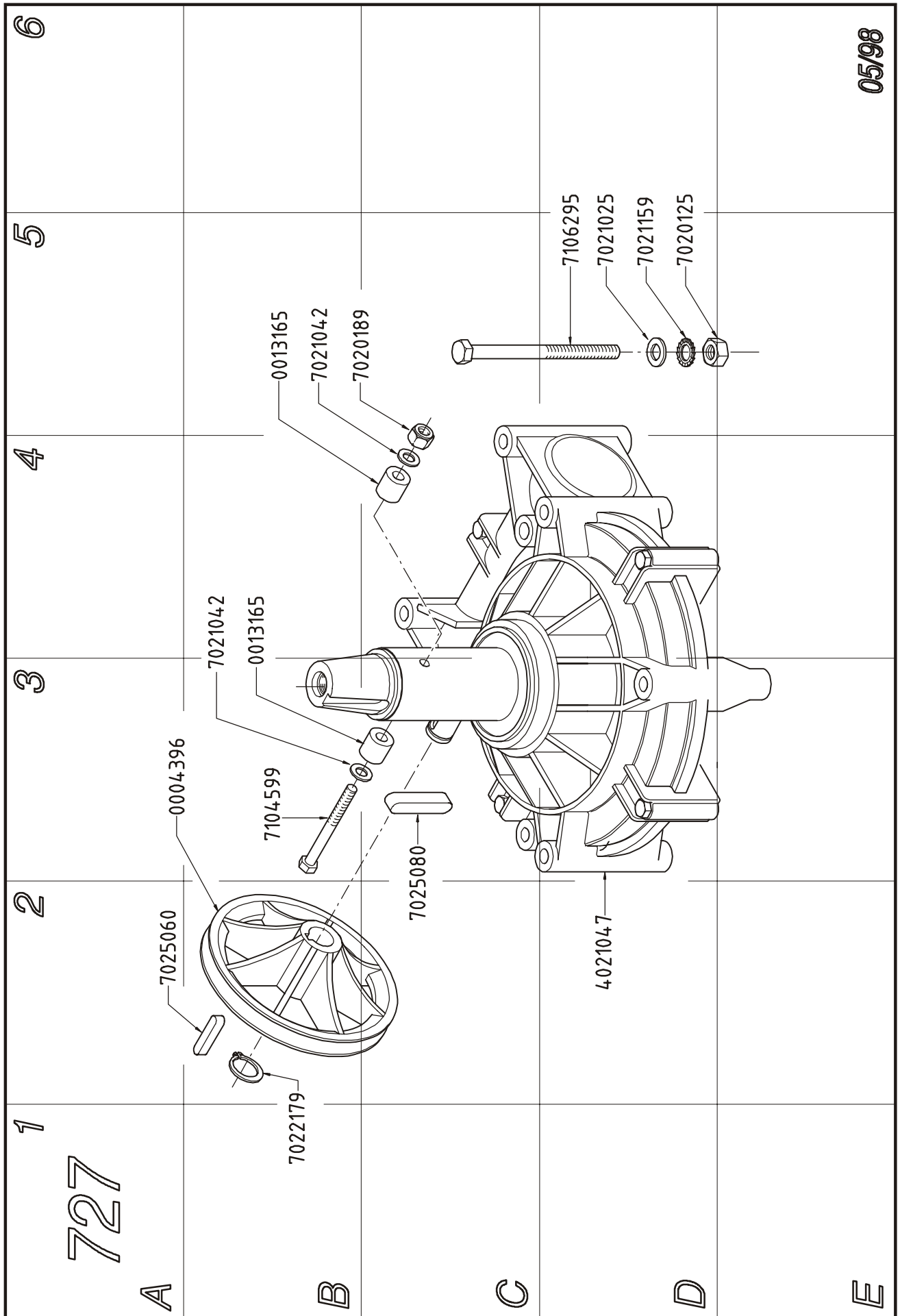


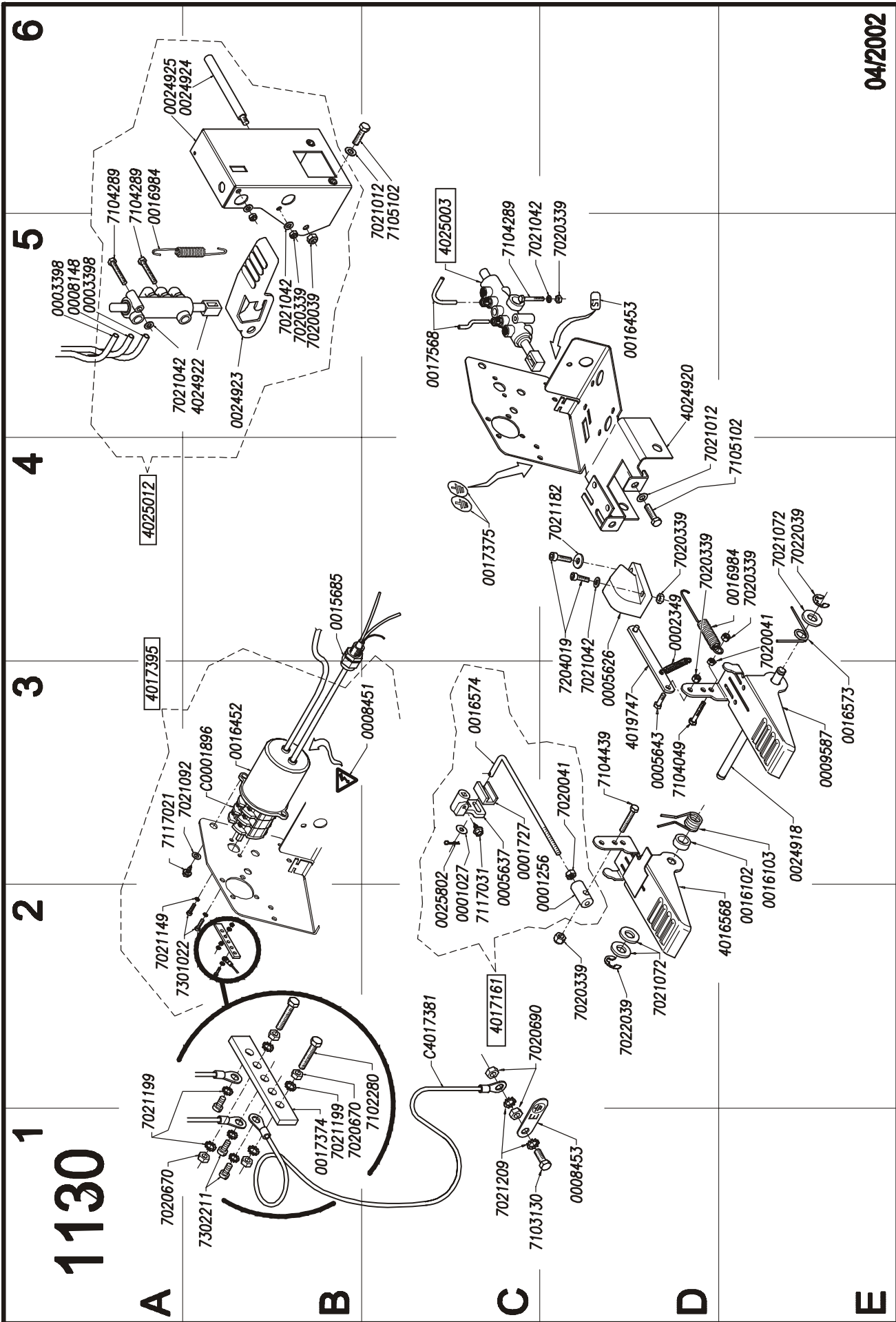
20" - GT

04/2002



07/2000





04/2002

6

5

4

3

2

1

1129

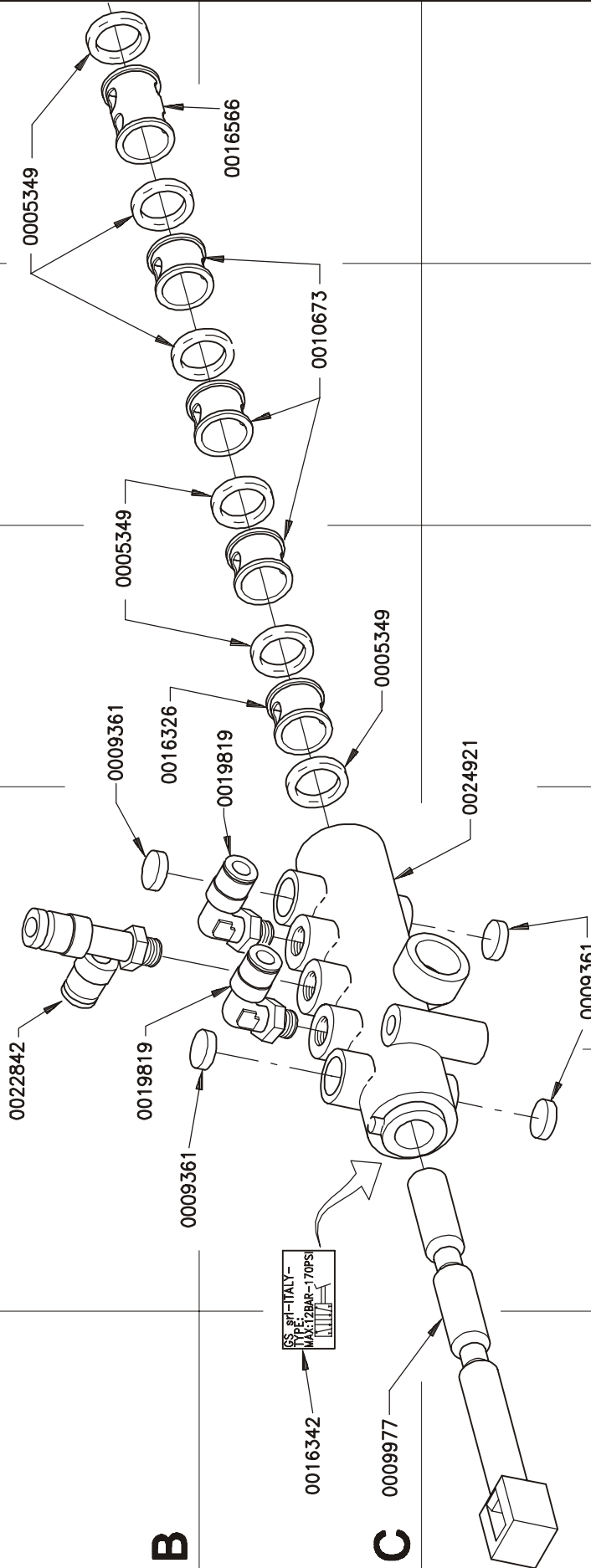
A

B

C

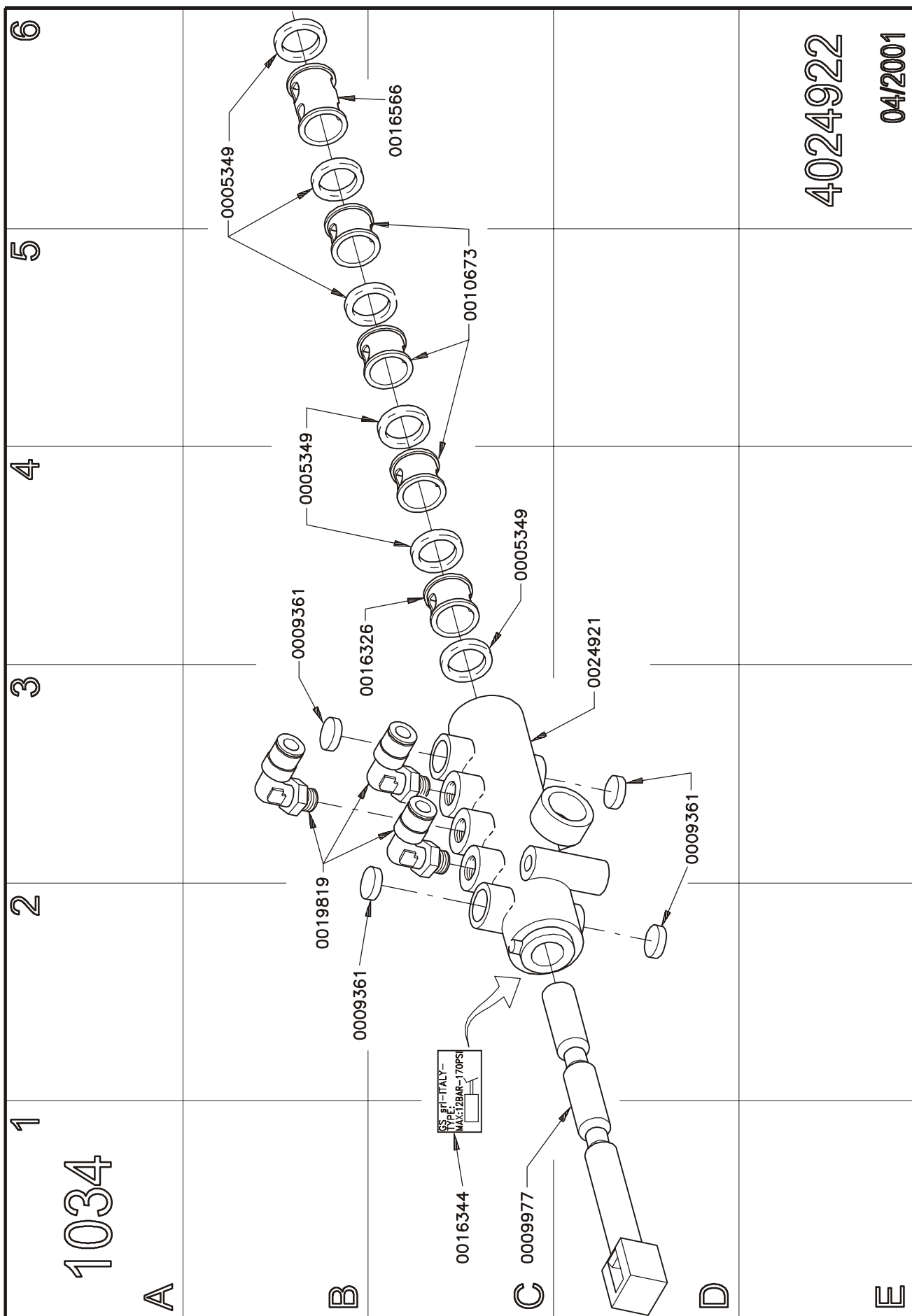
D

E



4025003

04/2002



1034

A

1

2

3

4

5

6

B

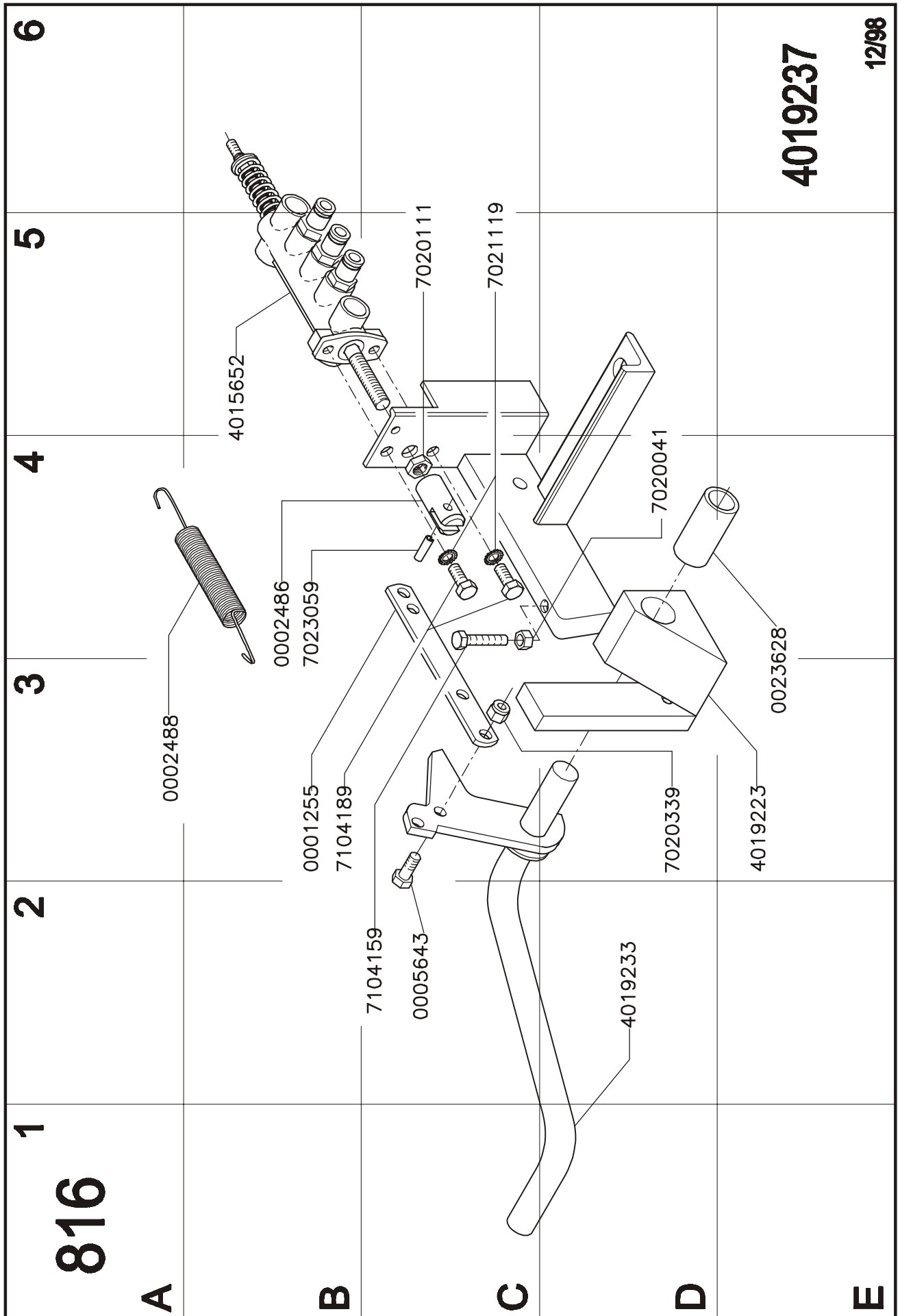
C

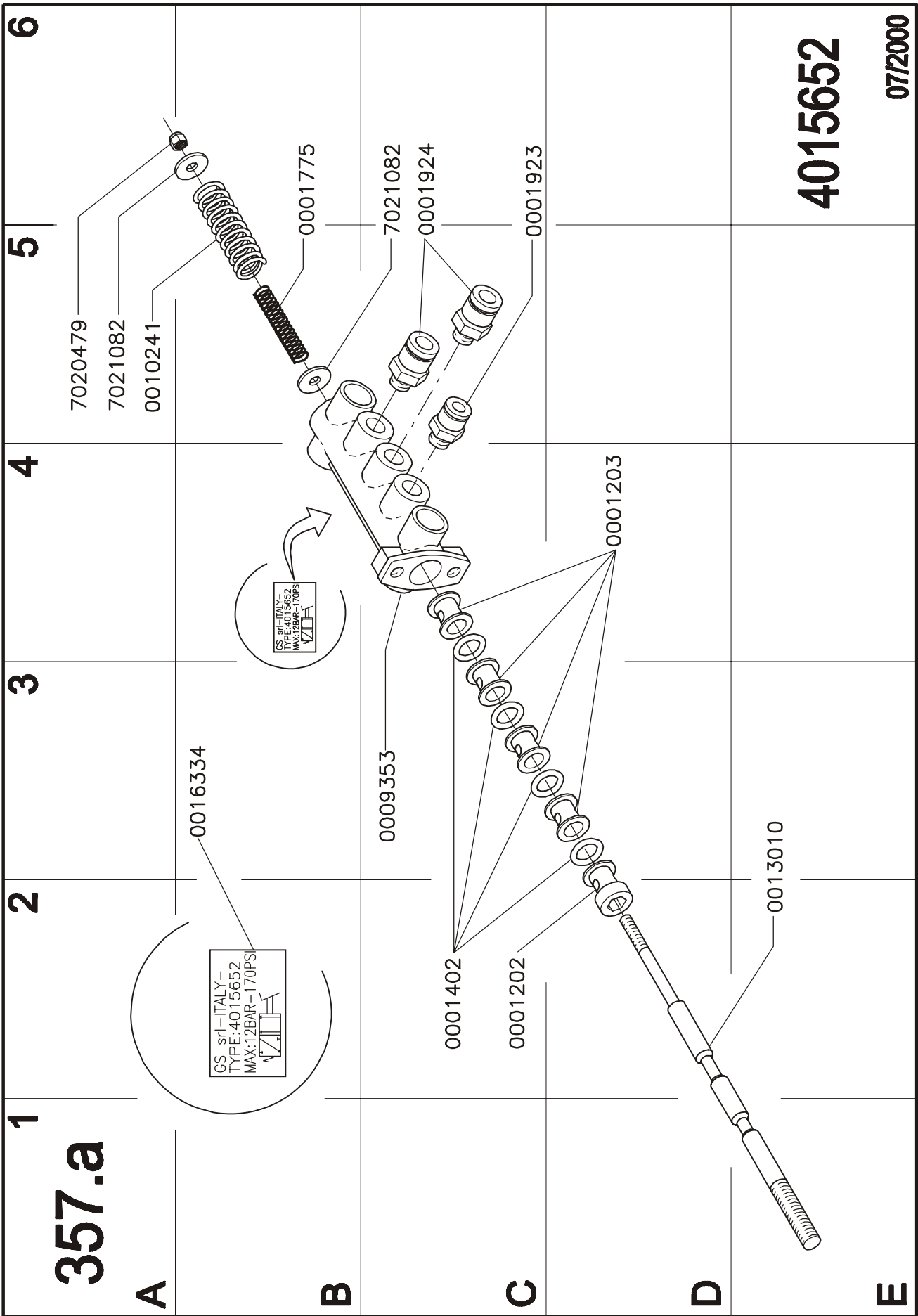
D

E

4024922

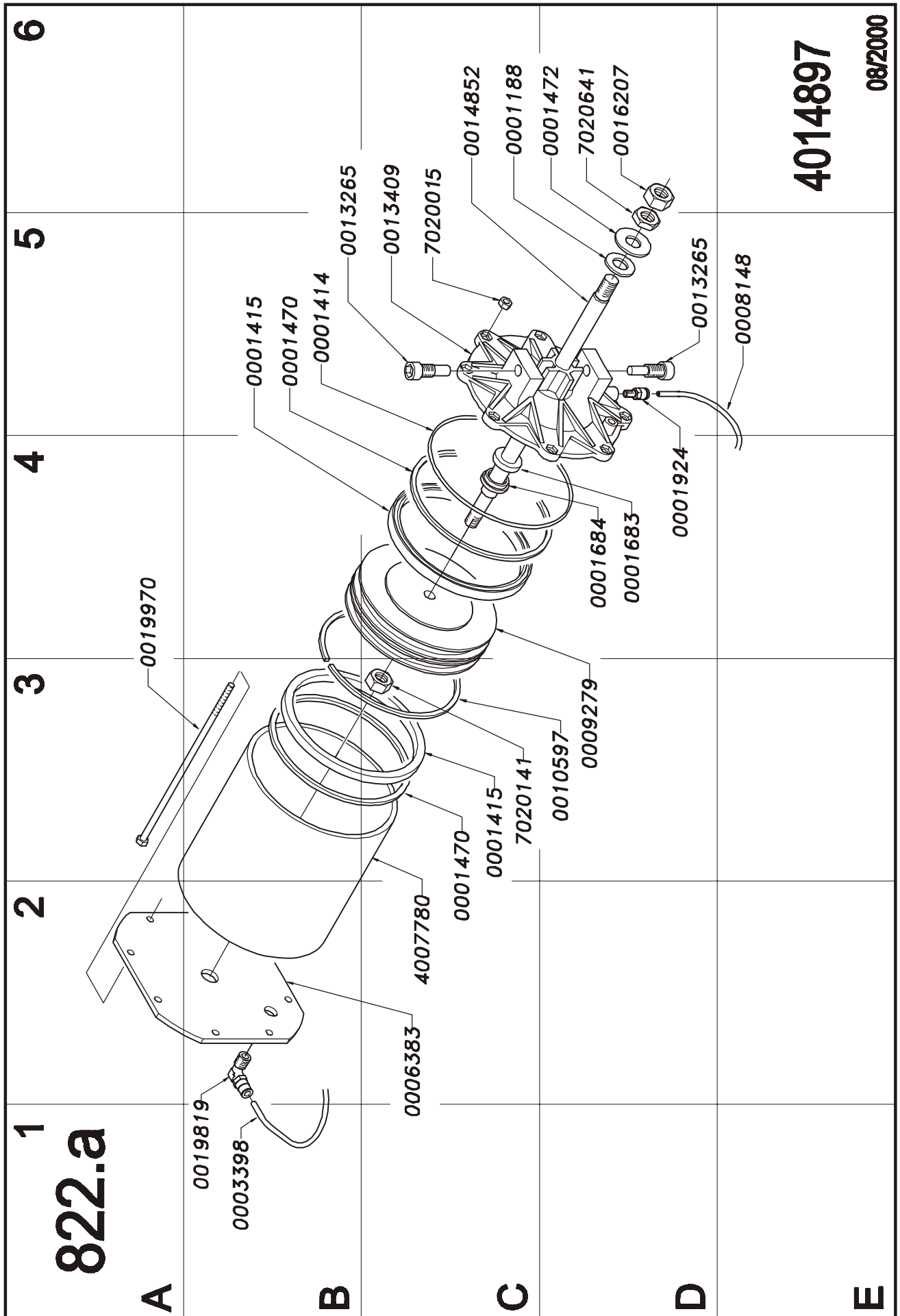
04/2001





4015652

07/2000



1
822.a

6

5

4

3

2

A

B

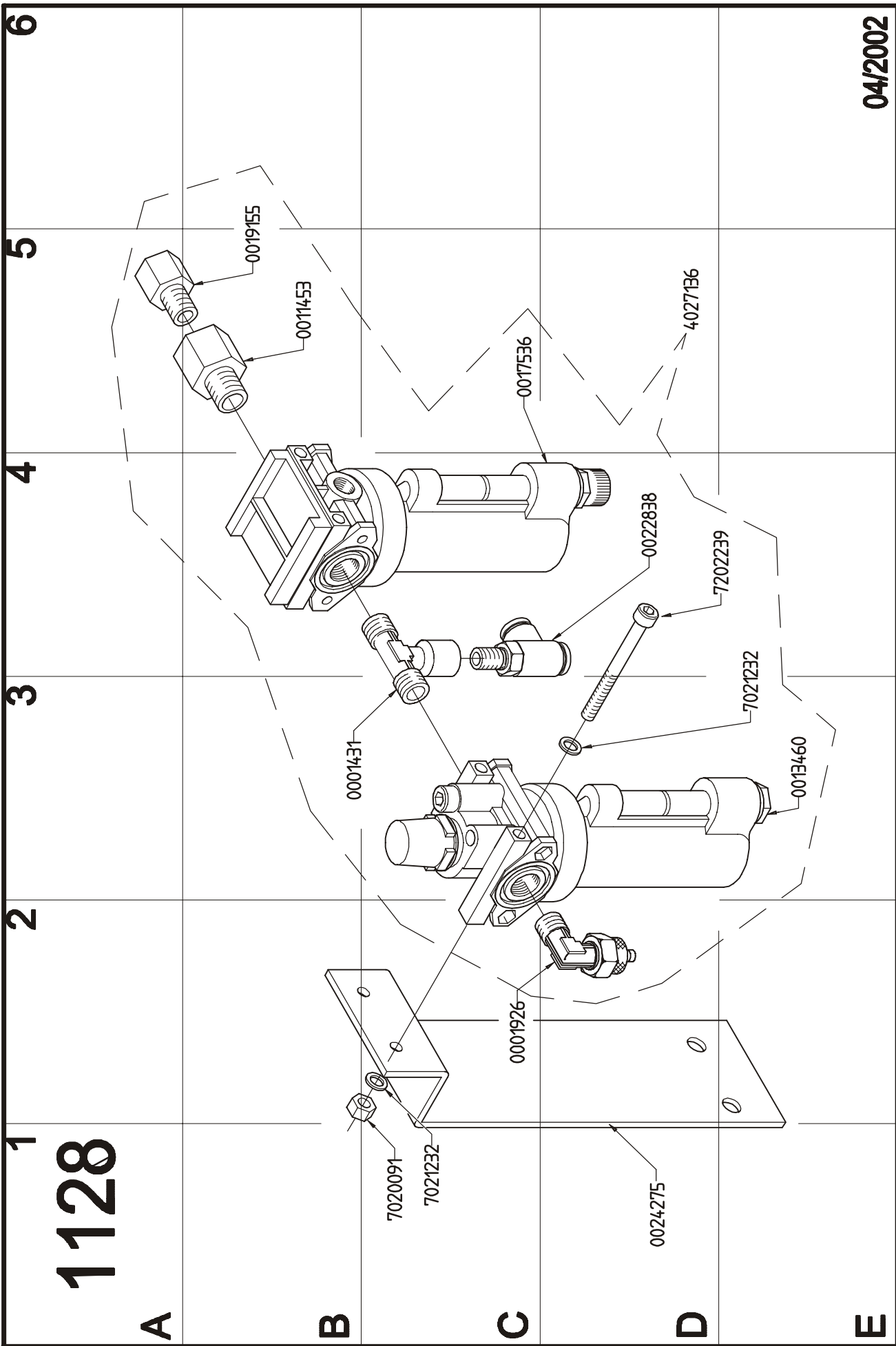
C

D

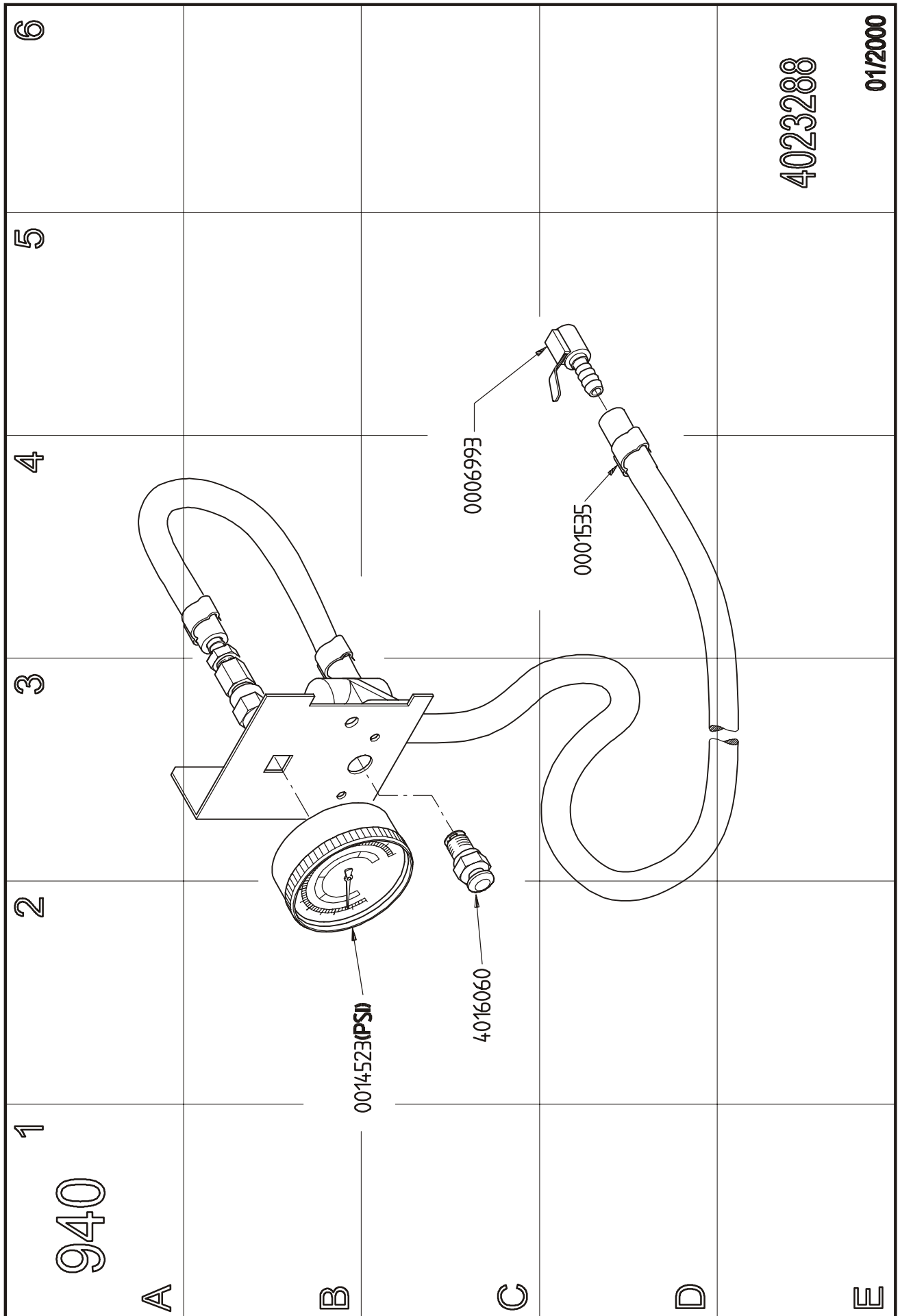
E

4014897

08/2000



04/2002



4023288

01/2000

