

**WARNING!**

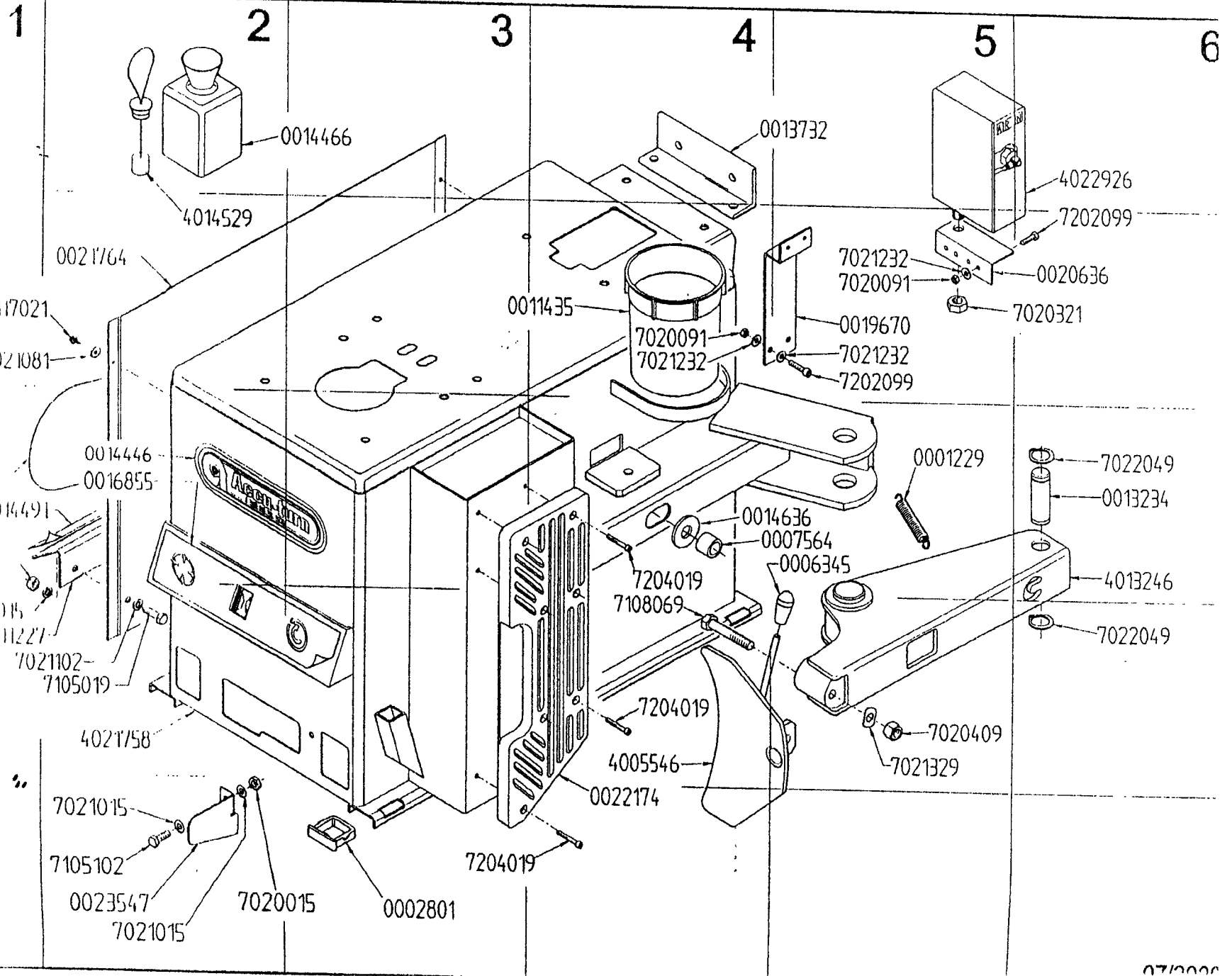
**FOR USE OF AUTHORIZED TECHNICAL  
PERSONNEL ONLY**

**ACCU 3402**

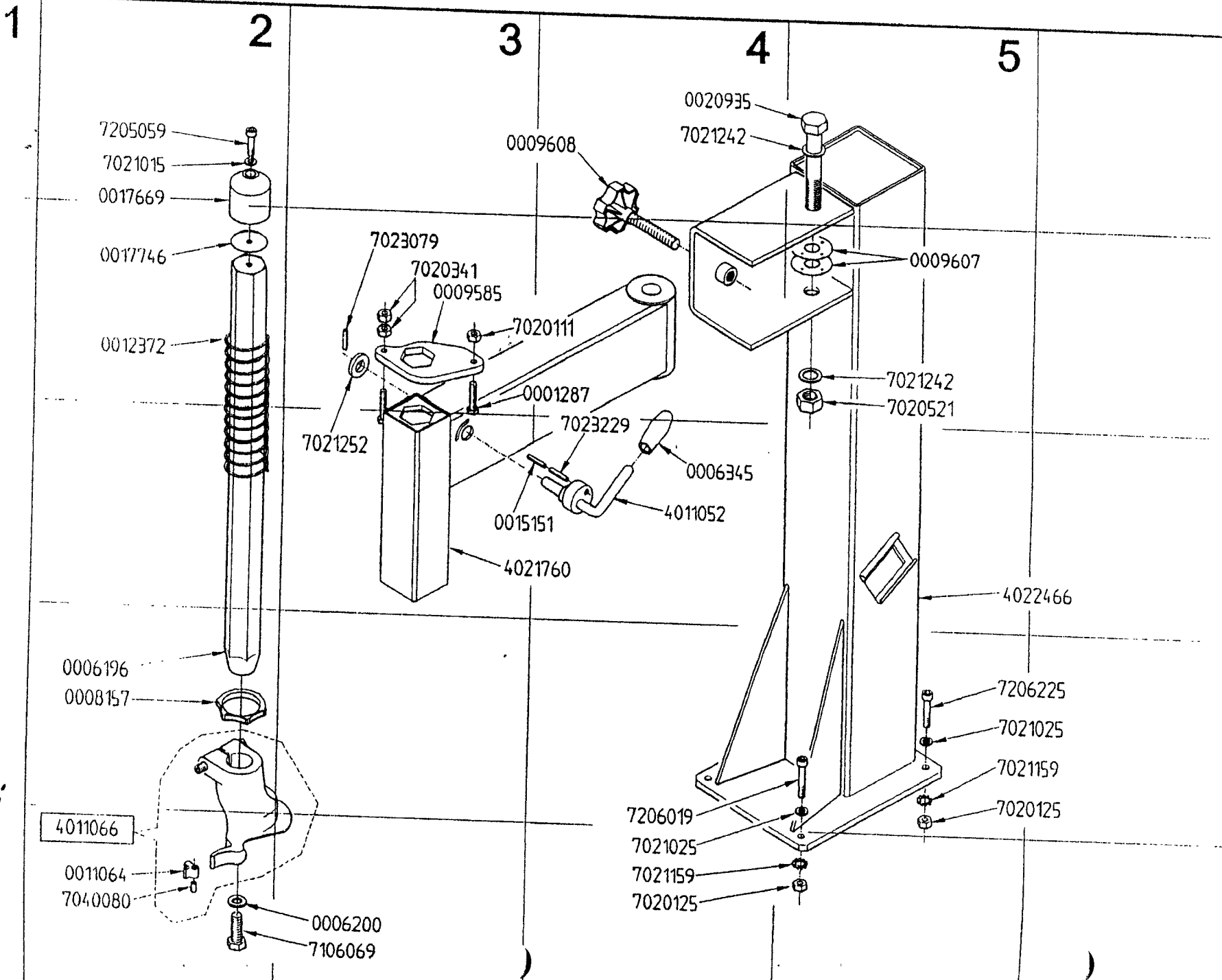
SPARE PARTS EXPLODED DRAWINGS

PNEUMATIC DIAGRAM

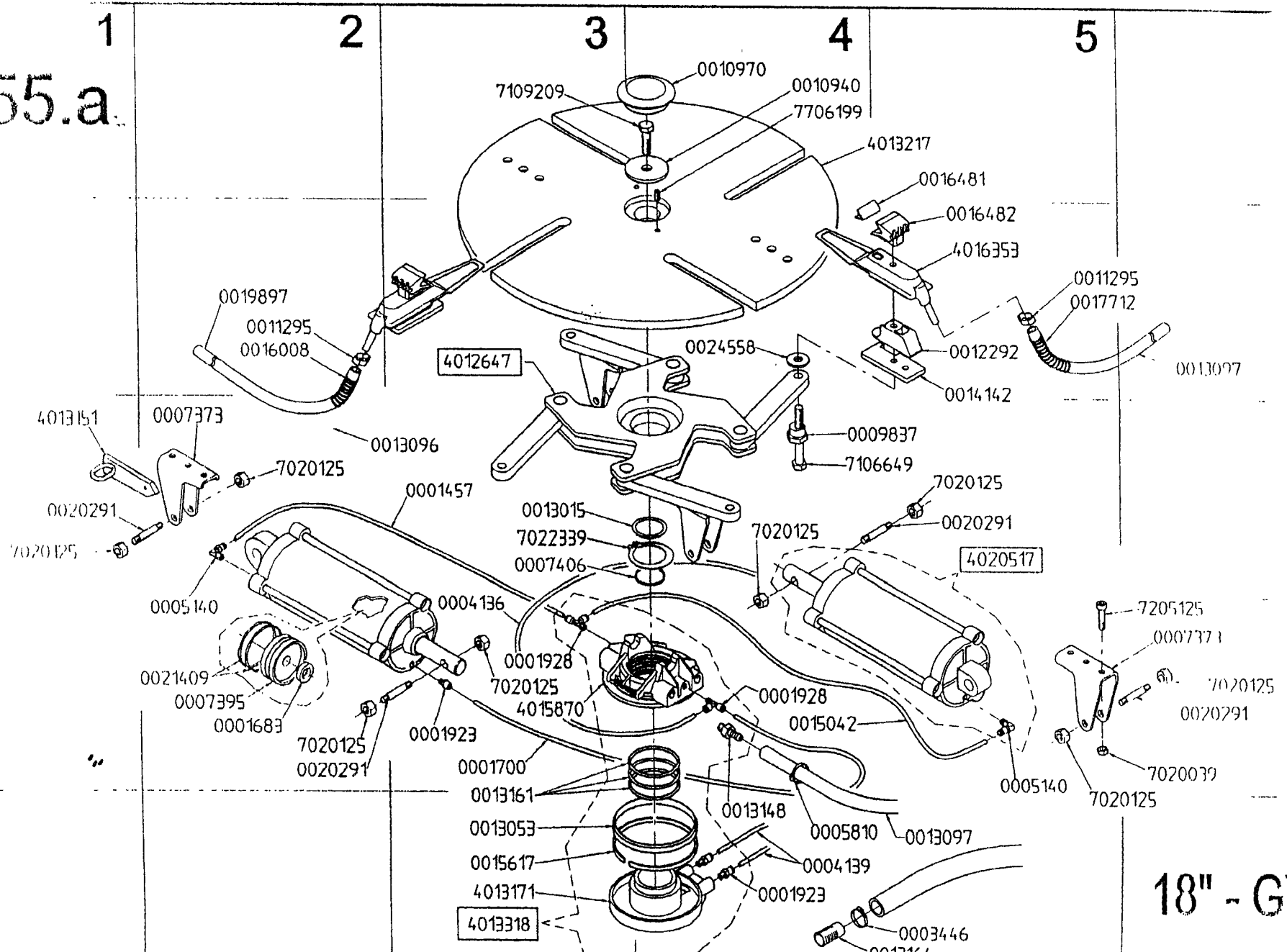
993



52.a



555.a



18" - G

809

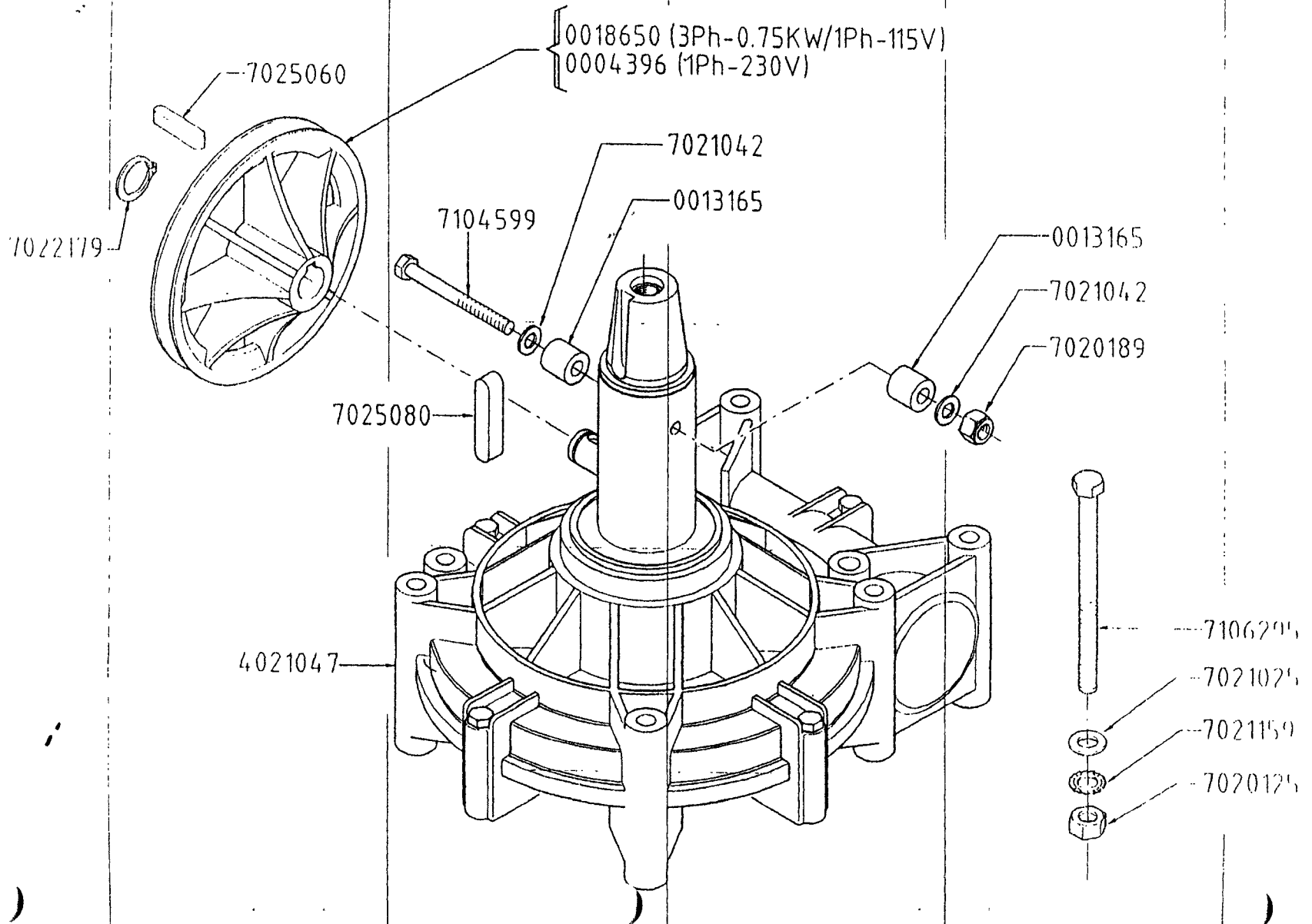
1

2

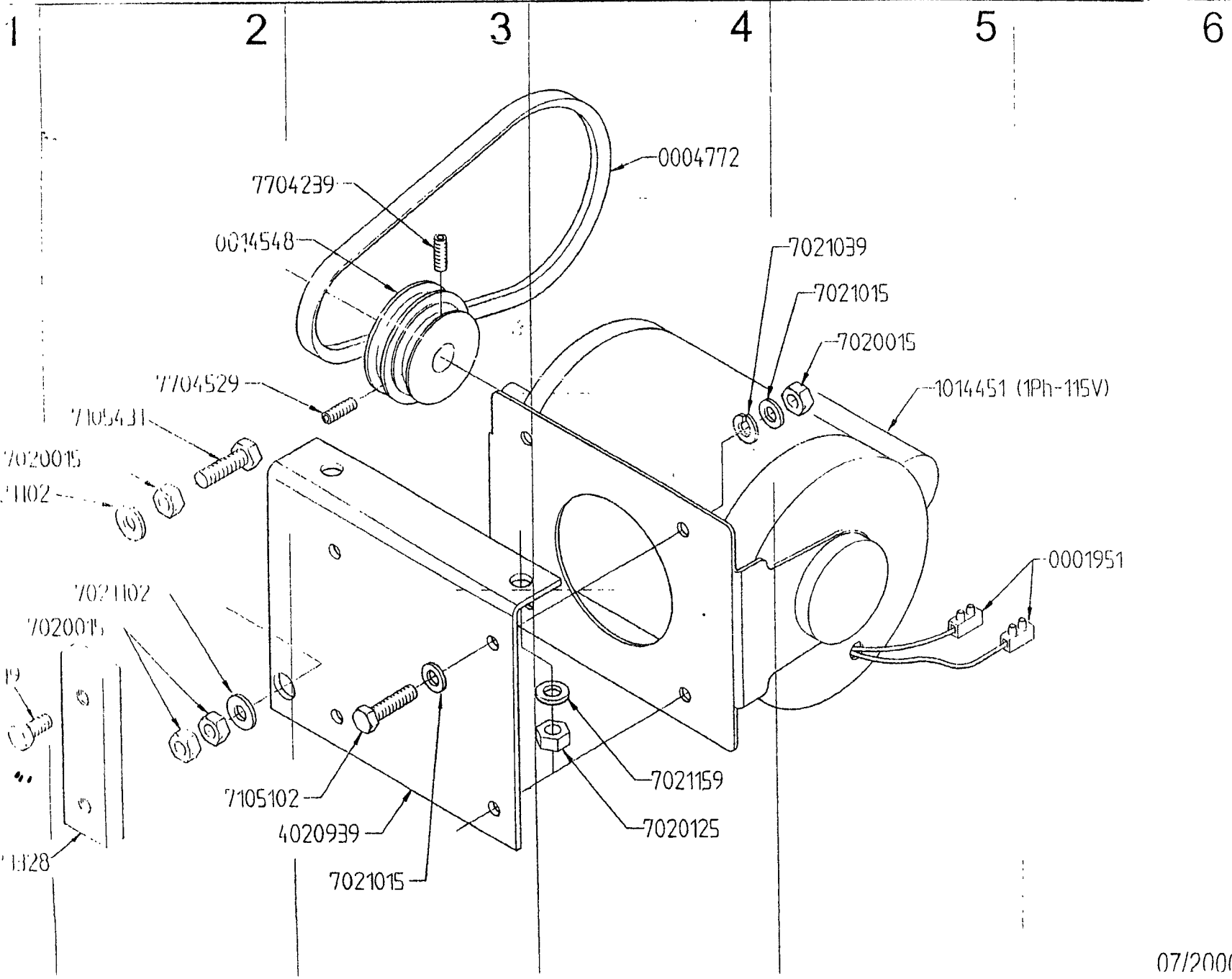
3

4

5



192



398.a

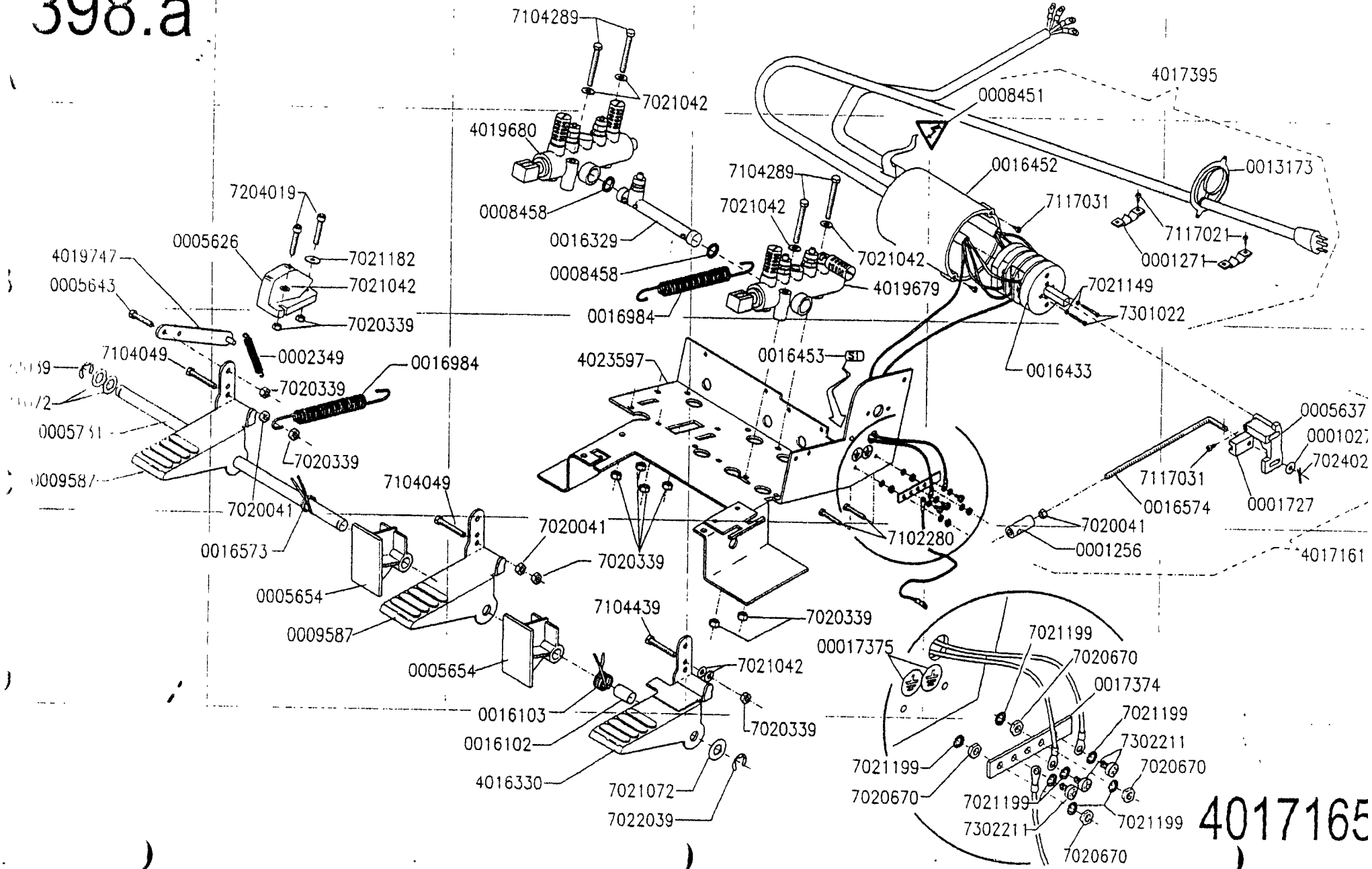
1

2

3

4

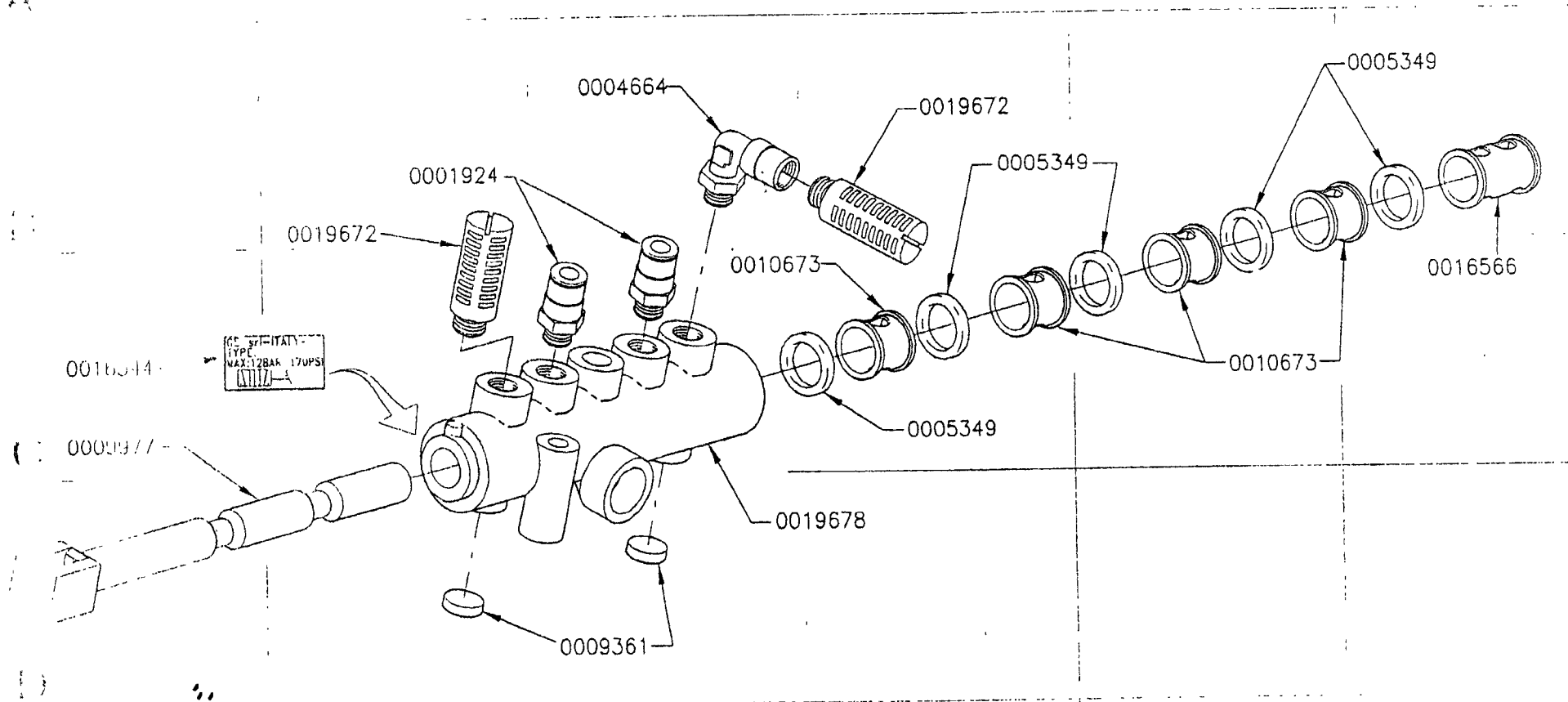
5



4017165

819.a

A



4019679

7/2000



820

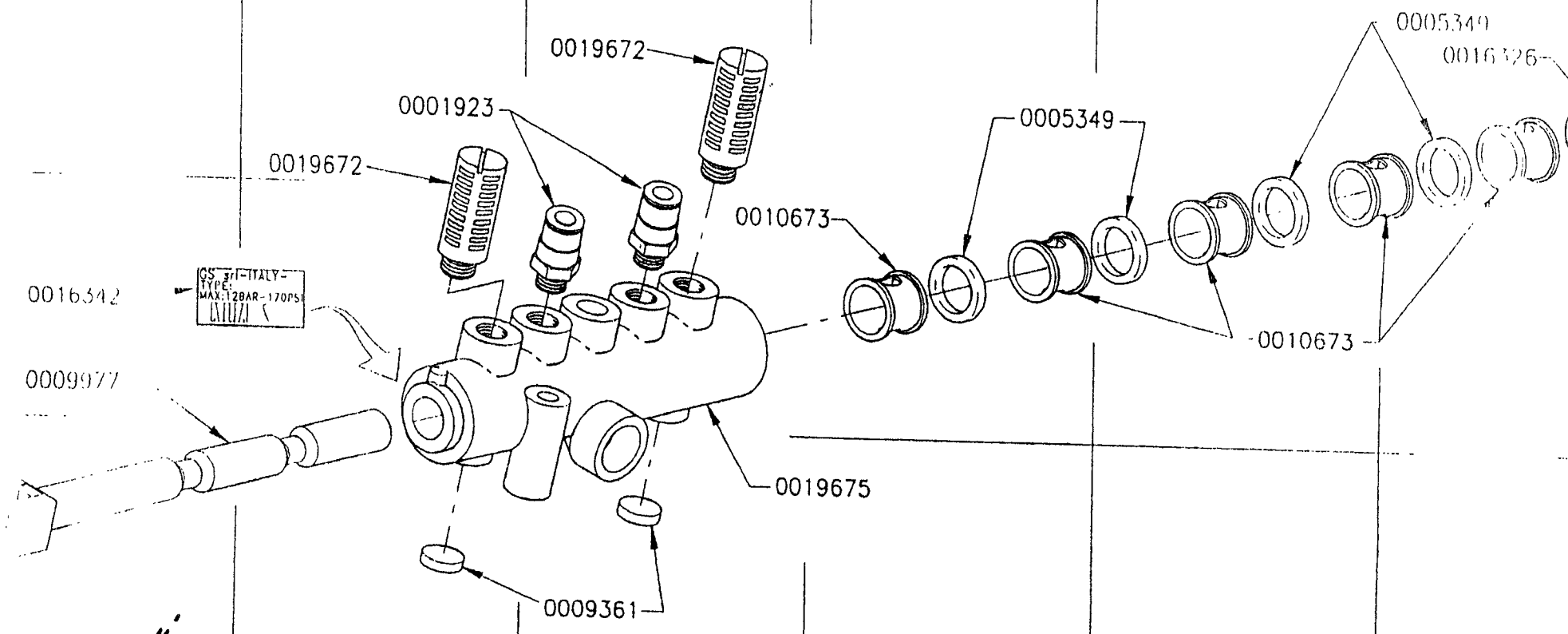
1

2

3

4

5



301968

816

1

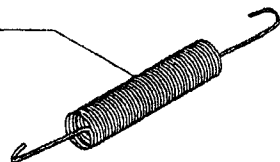
2

3

4

5

0002488



4015652

0002486

7023059

0001255

7104189

7104159

0005643

7020111

7021119

4019233

7020339

7020041

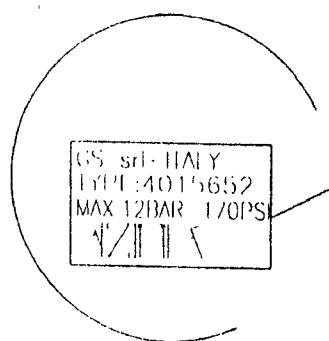
4019223

0023628

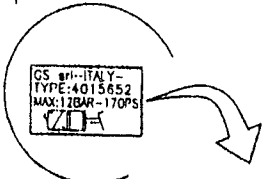
4019237

357.a

1                      2                      3                      4                      5



0016334



0009353

7020479

7021082

0010241

0001775

7021082

0001924

0001924

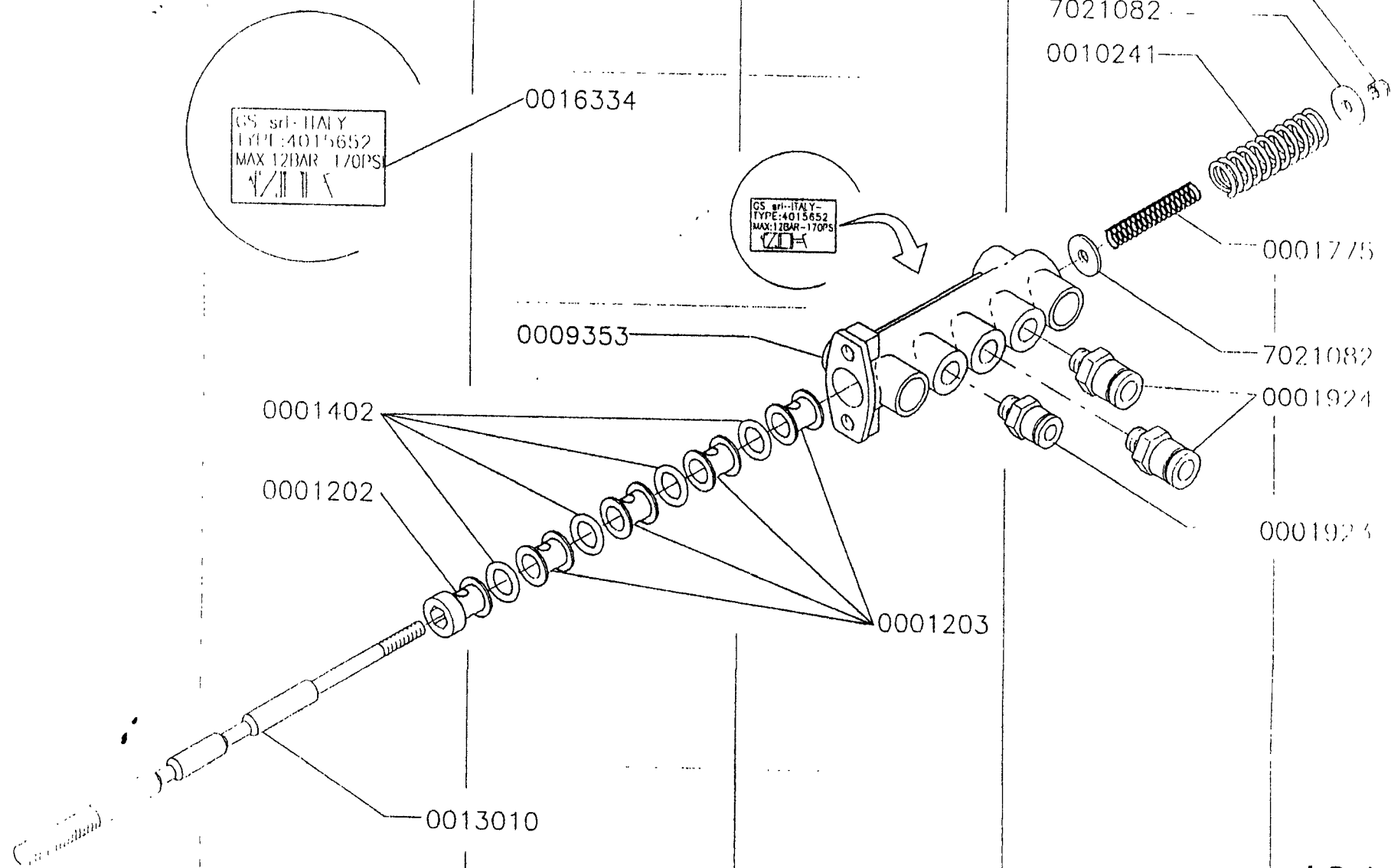
0001402

0001202

0001203

0013010

4015652



9410

1

2

3

4

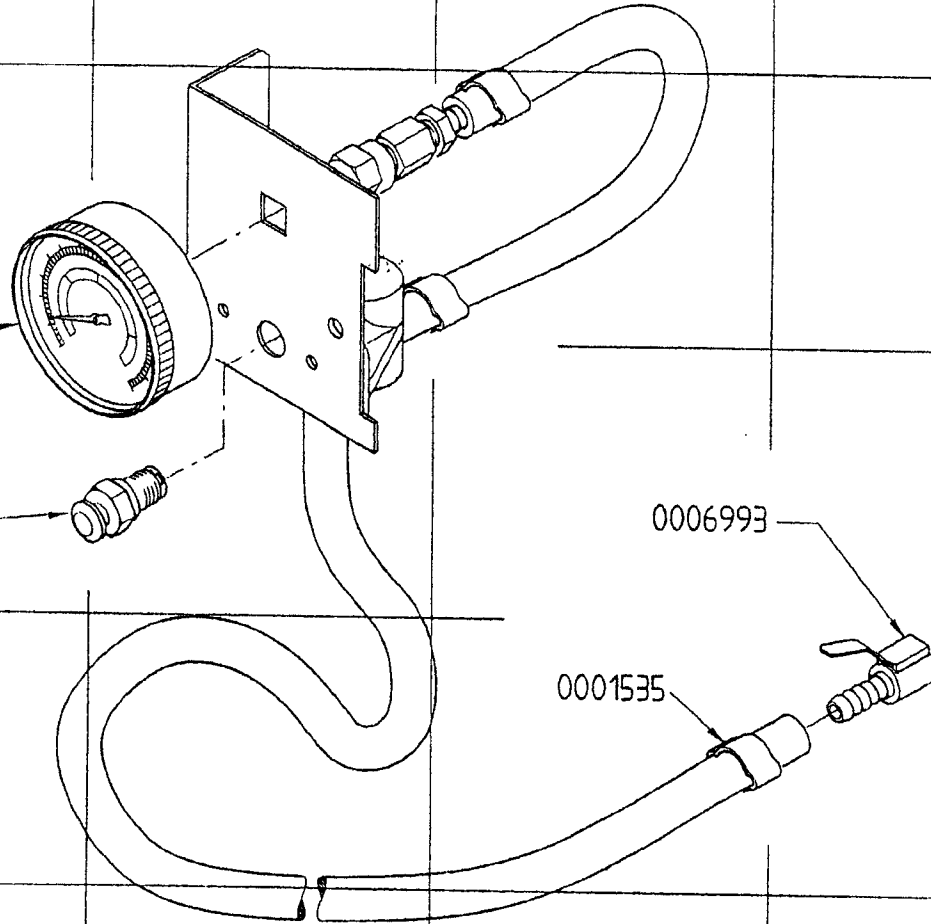
5

0014523(PSI)

4016060

0006993

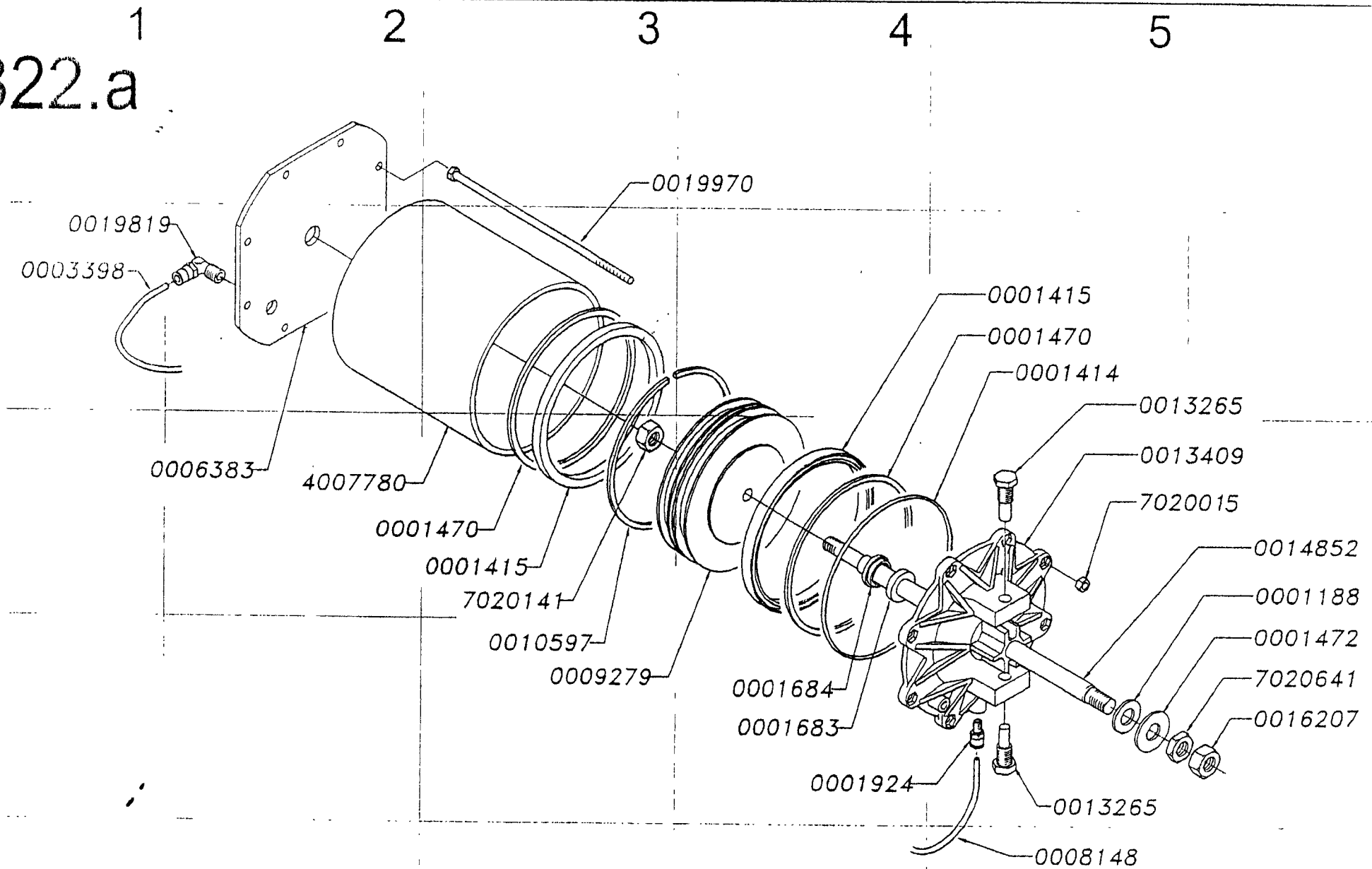
0001535



4023288

01/200

822.a



4314897

# 373.a

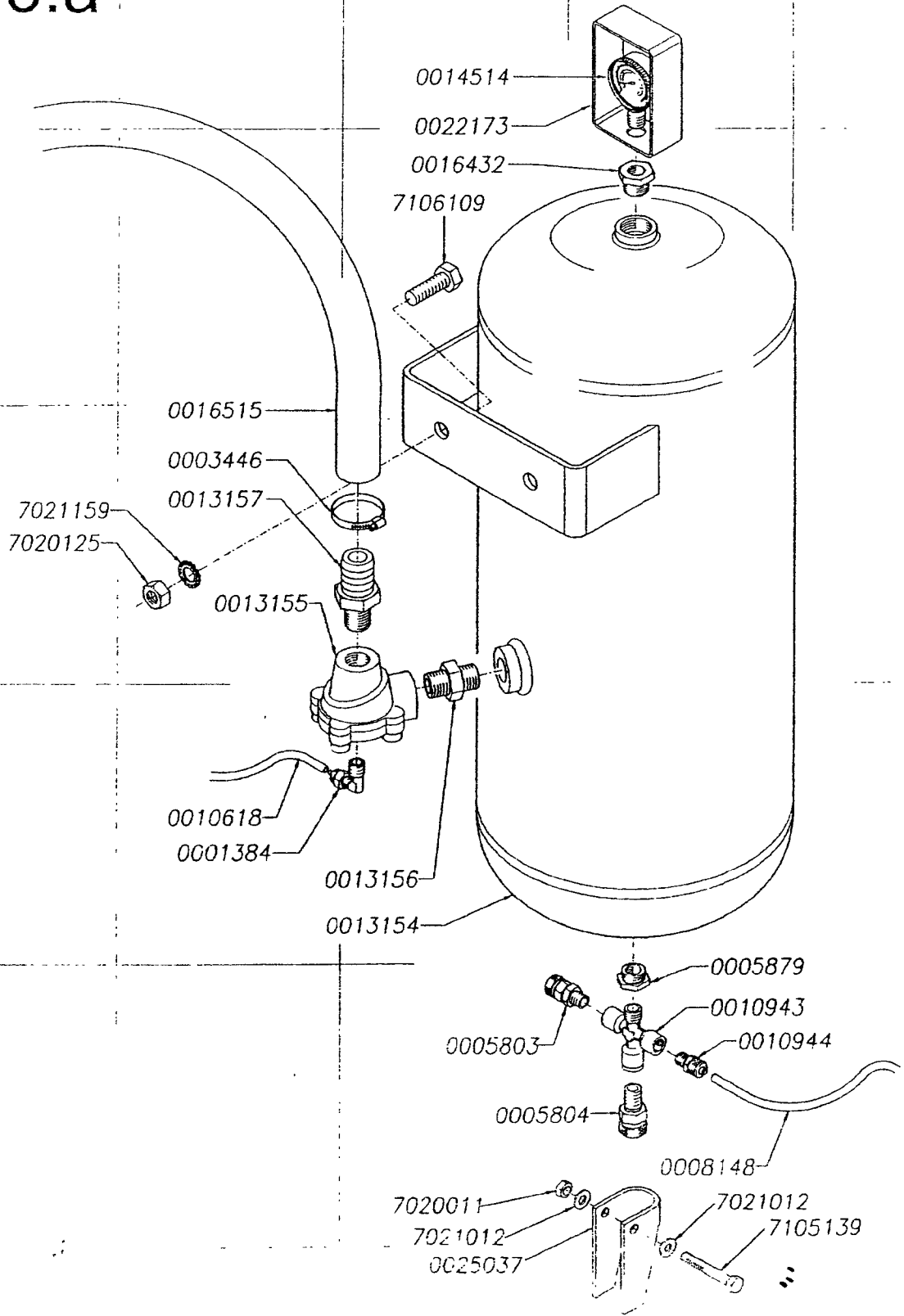
A

B

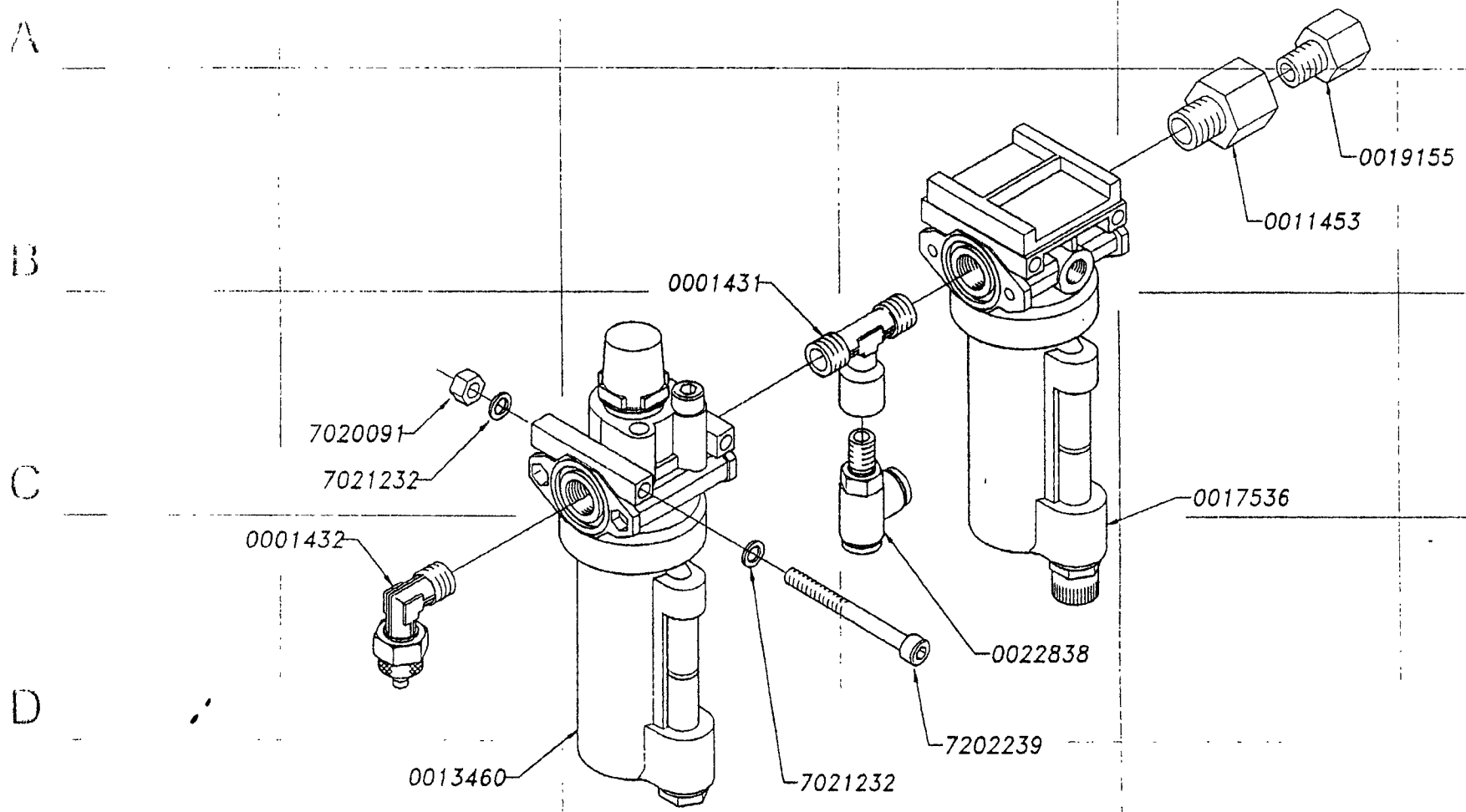
C

D

E



991



40254'

071