

**COMBINATION BRAKE LATHE
MODEL 8922**

**OPERATIONS AND MAINTENANCE MANUAL
SERIAL #1600 AND UP**

8922 COMBINATION BRAKE LATHE

PARTS LIST

ITEM #	PARTS #	QTY. REQ'D.	DESCRIPTION
1	434013	1	HOUSING
2	434014	1	COVER, HOUSING
3	434420	1	GASKET .015
4	420772	4	SCREW
6	433605	1	SPINDLE
7	433618	1	BEARING, CONE
8	433619	1	BEARING, CUP
9	433616	1	BEARING, CONE
10	433772	1	BEARING, CUP
11	433622	1	SEAL
12	431146	1	SEAL
13	433620	1	SEAL
14	408129	1	SEAL
15	433611	1	SHIM
16	433612	1	SHIM
17	433613	1	SHIM
18	411342	1	KEY
19	433606	1	GEAR, WORM
20	433974	1	SCREW, SET
21	408365	1	LOCK WASHER
22	408364	1	LOCK NUT
23	433607	1	SHAFT, WORM
24	433614	2	BEARING, CONE
25	433615	2	BEARING, CUP
26	433608	1	CARRIER, BRG.
27	421643	1	GASKETS
28	411389	4	SCREW
29	420149	1	SEAL
30	433628	1	DOVE TAIL, BOTTOM
31	433634	4	SCREW
32	433790	2	WEAR STRIP ASSY.
33	433635	1	WAY WIPER ASSY.TOP
34	433638	10	SCREW
35	433629	1	DOVE TAIL,CENTER
36	433627	1	DOVE TAIL, TOP
37	433630	8	SCREW, SET
38	413294	8	WASHER
39	413291	8	NUT, HEX
40	433639	2	SCREW, TURN
41	433157	1	SCREW, DRUM FEED ASSY.
42	433156	1	SCREW, ROTOR FEED ASSY
44	435586	4	PIN

ITEM #	PARTS #	QTY. REQ'D.	DESCRIPTION
45	432413	4	BOLT, WASHER HEAD
47	433623	2	BEARING, BALL
48	433907	2	HOUSING, FEEDBOX
49	433646	1	NUT, DRUM FEED
50	433647	1	NUT, ROTOR FEED
51	411378	4	SCREW
52	417258	2	SCREW
53	433641	2	MOTOR 1/60, 6 RPM
54	434081	6	SCREW
55	434384	2	ASSY. SHIFTING YOKE
56	434016	2	COLLAR
57	421431	2	KEY
58	434439	2	DRIVE ADAPTER
59	433974	2	SCREW, SET
60	433653	2	GEAR, SPUR 55 TEETH
61	433655	2	SPRING, CONICAL
62	433654	2	WASHER
63	421077	2	RING, RETAINING EXT.
64	433651	2	GEAR, SPUR 70 TEETH
65	433649	2	SWITCH, LIMIT
68	433908	2	COVER, FEEDBOX HSING
69	434017	2	SNAP-IN NYLINER
70	433909	2	HANDLE, SHIFTER
71	433974	8	SCREW, SET
72	1A2169	2	SPRING
73	408373	2	BALL
74	433667	1	GUARD, RTR WAY MTR
75	433677	1	GUARD, DRM WAY MTR
76	433638	4	SCREW
77	433735	2	TELESCOPING WAY COVER ASSY.
78	433648	12	SCREW
79	433682	4	SPACER, WAY COVER
80	433688	4	SCREW
81	433687	4	SCREW
82	433828	1	HANDWHEEL ASSY. DRUM
82A	433665	1	HANDWHEEL
82B	433666	1	HANDLE, REVOLVING
82C	433669	1	DECAL, CAL 0-80 DRUM
82D	408409	1	SCREW
82E	433974	1	SCREW
83	433829	1	HANDWHEEL ASSY. ROTOR
83A	433665	1	HANDWHEEL
83B	433666	1	HANDLE, REVOLVING
83C	433781	1	DECAL, CAL 0-95 RTR
83D	408409	1	SCREW
83E	433974	1	SCREW, SET
84	433729	1	BASE, MOTOR ASSY.

ITEM #	PARTS #	QTY. REQ'D.	DESCRIPTION
85	433626	1	SHAFT, MOTOR PVT.
86	434228	2	SCREW, SET
87	433670	1	MOTOR 115/230 VOLT 1 PHASE, 1 H.P.
88	434574	4	WASHER
89	434575	4	SCREW
90	433671	1	SHEAVE (PULLEY)
91	433672	1	SHEAVE (PULLEY)
92	433673	1	V-BELT
93	433675	1	GUARD, BELT
94	433638	2	SCREW
95	433685	1	LAMP
96	433674	1	FITTING, VENT
97	413281	1	PLUG, DRAIN
98	430866	32 OZ	OIL, MOBIL SYNTHETIC GEAR OIL, SHC-634
99	433830	TRACE	STORE-AND-LUBE
100	411478	1 OZ	GREASE #2
101	433727	1	POWER CORD ASSY.
102	433726	1	MOTOR CORD ASSY.
103	433698	1	WIRE, ELECTRICAL
108	433719	5	CLAMP, CABLE 2 SCREW
109	436388	1	SLEEVING, ELECTRICAL
110	434133	8	CONNECTOR, CRIMP-ON
111/112	434132	2	CONNECTOR, CRIMP-ON
113	433818	1	SCREW
114	434402	1	SCREW
115	438054	1	SWITCH, ROTARY
116	433695	1	DECAL, TOG. SWITCH
117	433732	1	LABEL, CAUTION
118	433733	1	LABEL, CAUTION
119	436279	1	NAMEPLATE, ACCU IND.
120	436289	1	NAMEPLATE, SERIAL #
121	433633	1	BOLT, T SLOT
122	433777	1	HOLDER, BORING BAR
123	4B4280	1	WASHER
124	433617	1	NUT, HEAVY HEX.
125	433778	1	BORING BAR
126	433780	2	SCREW, SET
127	433779	1	HOLDER, TOOL BIT
128	433771	1	SCREW, SET
129	433717	3	CARBIDE BIT & SCREW
130	434009	1	CAP PLUG
131	433974	4	SCREW, SET
132	434199	1	WAY WIPER ASSY. CTR.
133	434378	1	PATENT NUMBER PLATE

ITEM #	PARTS #	QTY. REQ'D.	DESCRIPTION
136-----	436267-----	2-----	SCREW, SET
137-----	436268-----	4-----	NUT
138-----	433994-----	2 oz-----	GREASE, EXXON LIDOK OOO
139-----	434800-----	1-----	PLUG
140-----	436259-----	2-----	WAY WIPER KIT
(not shown)-----	437008-----	1-----	WARNING LABEL
(not shown)-----	436408-----	2-----	WAYCOVER LABEL
(not shown)-----	434225-----	1-----	6 1/2" SQUARE BOTTOM PLATE
(not shown)-----	434226-----	1-----	4 X 16 1/4" BOTTOM PLATE
(not shown)-----	433648-----	3-----	BOTTOM PLATE SCREW
184-----	437412-----	1-----	ACCESS COVER
185-----	433638-----	4-----	SCREW

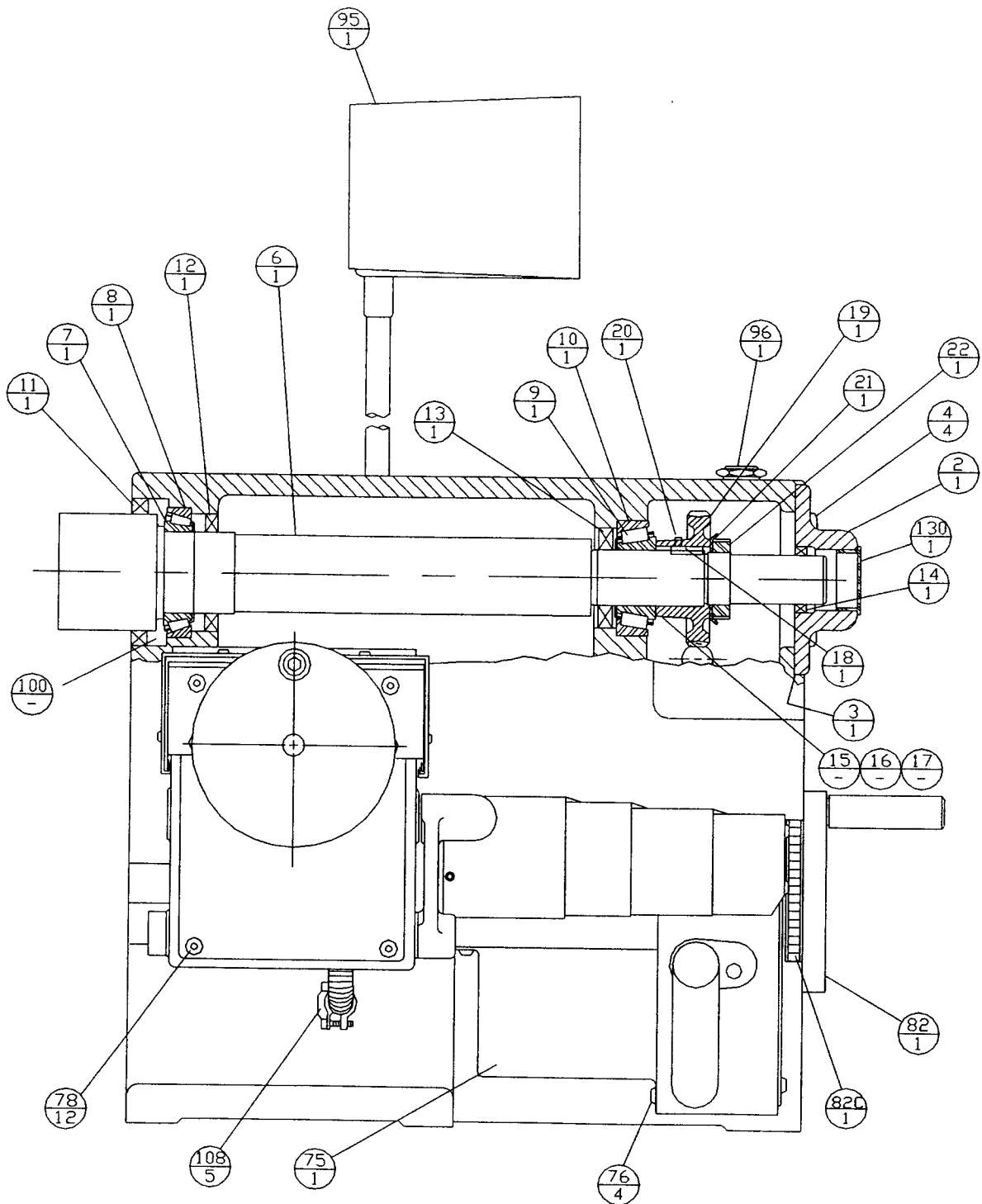
433750 TWIN CUTTER ASSEMBLY

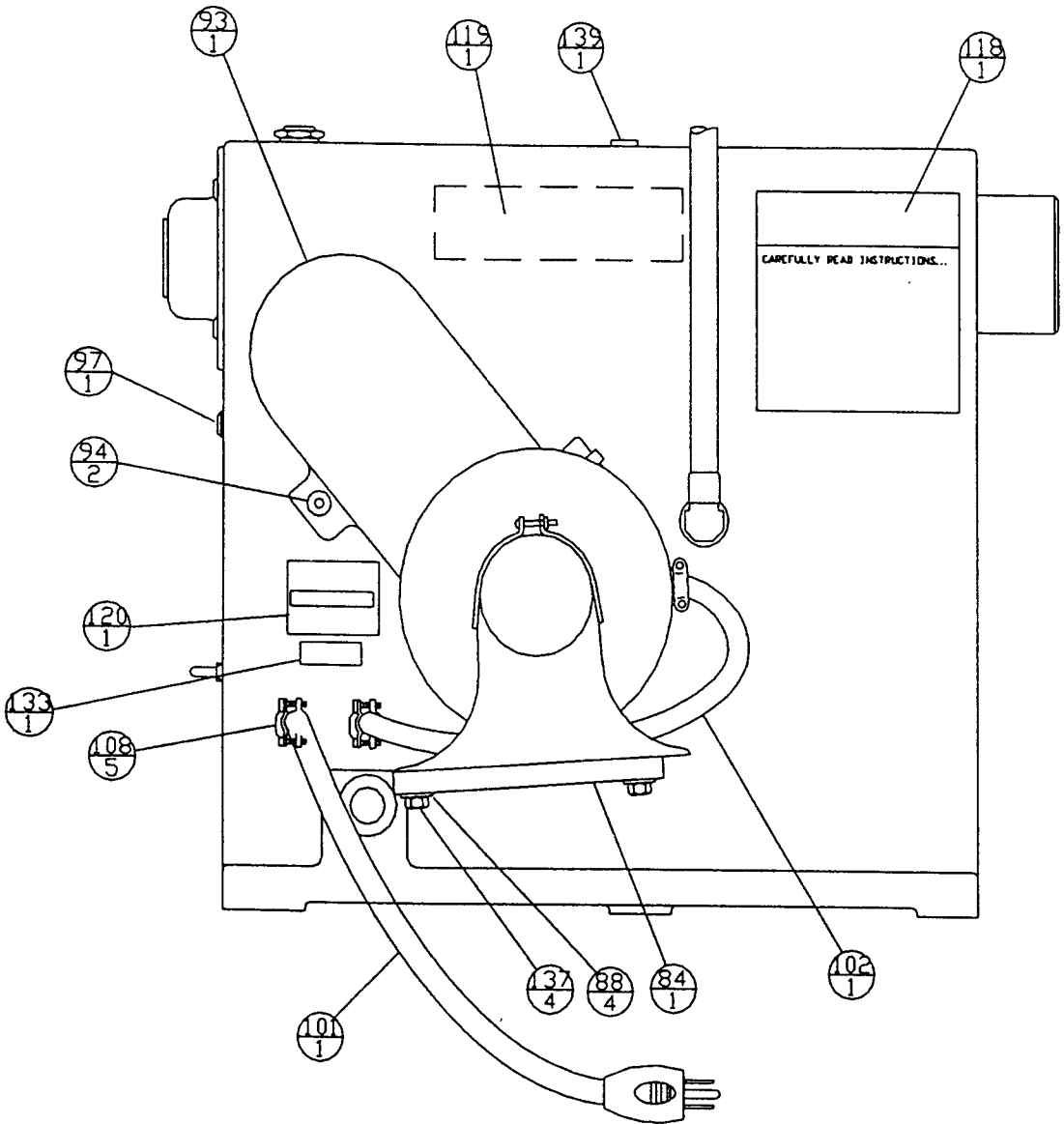
PARTS LIST

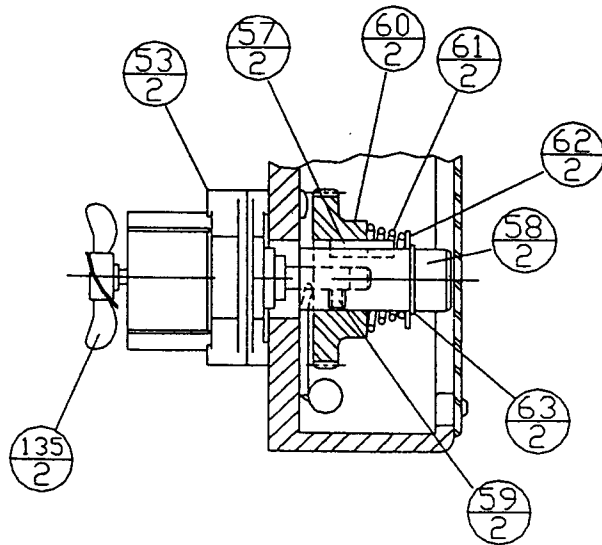
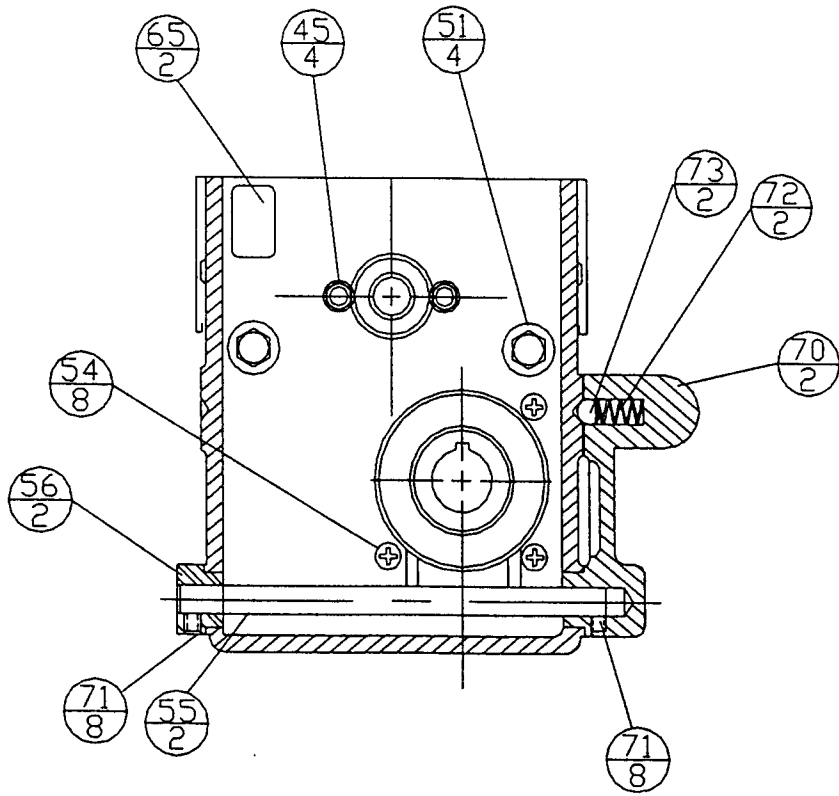
ITEM #	PARTS #	QTY. REQ'D.	DESCRIPTION
300	433752	1	BASE, TWIN CUTTER
301	433753	1	BASE, TENSION BAR
302	433754	1	BASE, POINTER
303	433755	1	TOOL HOLDER, R.H.
304	433756	1	TOOL HOLDER, L.H.
305	433757	1	TENSION BAR
306	433758	1	POINTER
307	433759	1	ADJUSTING WHEEL
308	433760	2	ADJUSTMENT SCREW
309	433761	2	CALIB. WHEEL R.T.
311	433763	1	TOOL BIT HOLDER R.H.
312	433764	1	TOOL BIT HOLDER L.H.
314	433765	2	SCREW, SHOULDER
315	420212	1	SCREW
316	420211	1	SCREW
317	433766	2	SCREW
318	433767	2	SCREW, THUMB
319	433768	2	WASHER, WAVE
320	420772	2	SCREW, DRIVE
321	433770	1	SPRING
322	433771	2	SCREW, SET
323	434738	2	SPRING, BELVILLE
325	4B9806	4	SCREW, SET
326	433773	4	BALL, NYLON
327	436272	1	EXTENDED KNOB

STANDARD ACCESSORIES

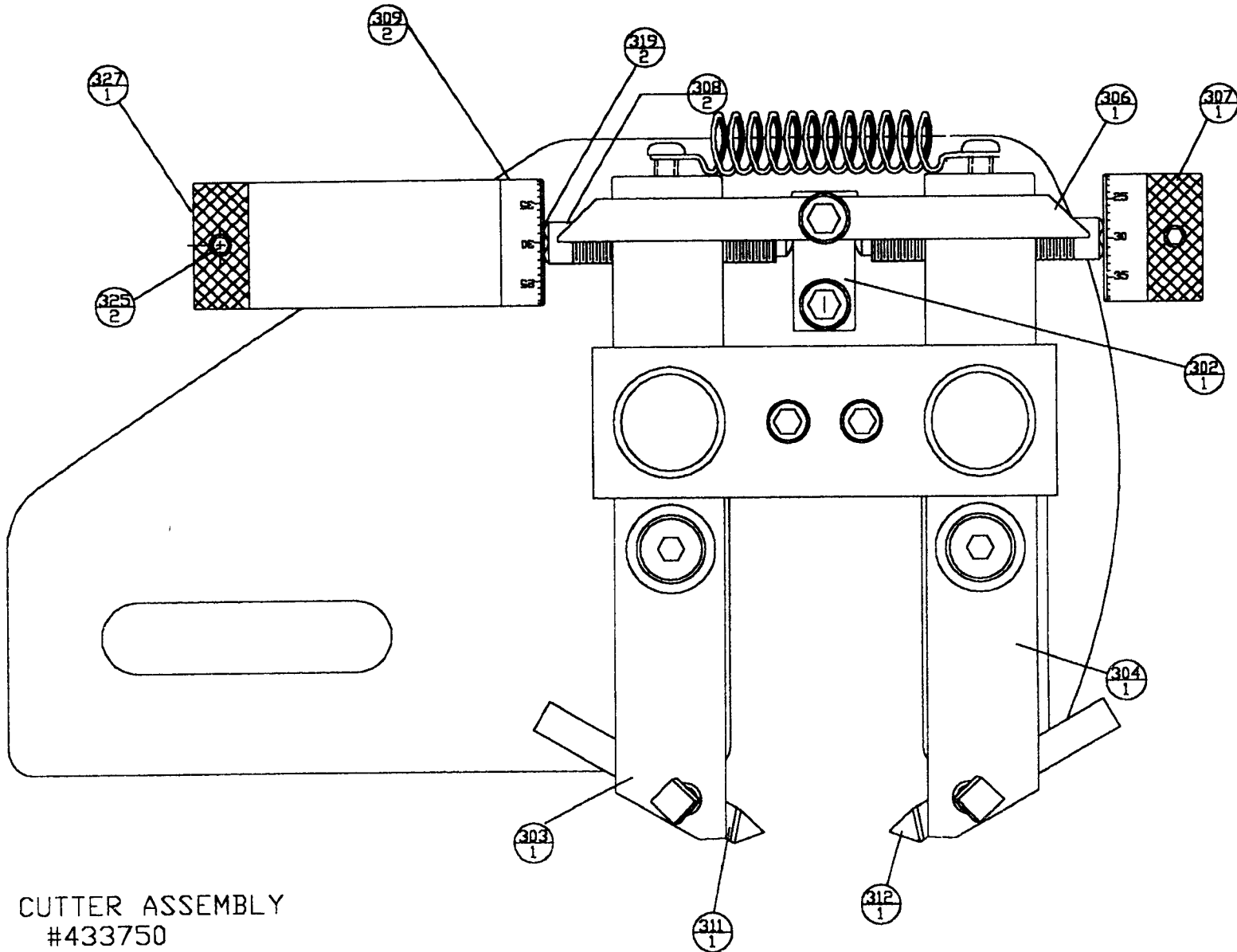
ITEM #	PARTS #	QTY. REQ'D.	DESCRIPTION
200	433702	1	BAR, DRAW
201	4B4280	1	WASHER
202	433617	1	NUT, HEAVY HEX.
203	433703	2	PLATE, FACE 1
204	433704	2	PLATE, FACE 2
205	433705	1	CENTERING CONE, DRUM #1
206	433706	1	CENTERING CONE, DRUM #2
207	433707	1	CENTERING CONE, DRUM #3
208	433708	1	ADAPTER #1
209	433709	1	ADAPTER #2
210	433710	1	ADAPTER #3
211	433711	1	ADAPTER #4
212	433617	1	NUT, HEAVY, HEX.
213	433712	1	SPACER, ARBOR
214	433715	1	WASHER, ASSY. SELF ALIGNING
215	433713	1	NUT, HEX.
216	433774	1	SPACER
217	433716	1	SPRING, ARBOR
218	433782	1	SILENCER, DRUM
219	433785	1	SILENCER, LG. VENTED ROTOR
220	433789	1	SILENCER, SMALL NON-VENTED ROTOR
221	436410	1	WRENCH, 1 1/2 BOX END
222	433963	1	ADAPTER #1-A
223	434558	1	WRENCH
224	434559	1	WRENCH
	433172	1	1" BORING BAR ASSEMBLY CONSISTS OF:
125	433778	1	BORING BAR
122	433777	1	BORING BAR HOLDER
303	433755	1	TOOL HOLDER R.H.
304	433756	1	TOOL HOLDER L.H.
	433750	1	RT GROUP (W/TOOL HOLDERS)





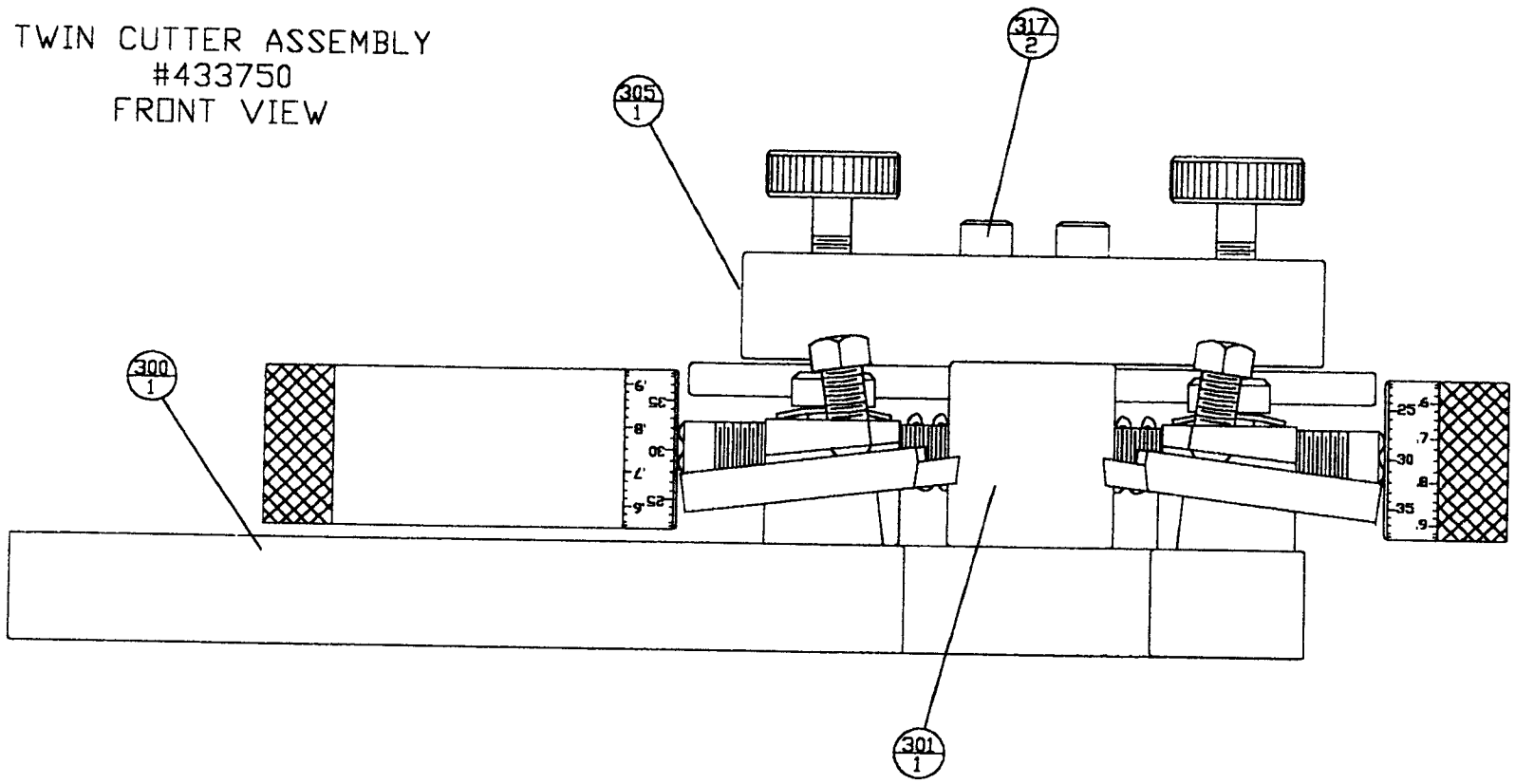


8922-5



TWIN CUTTER ASSEMBLY
#433750
TOP VIEW

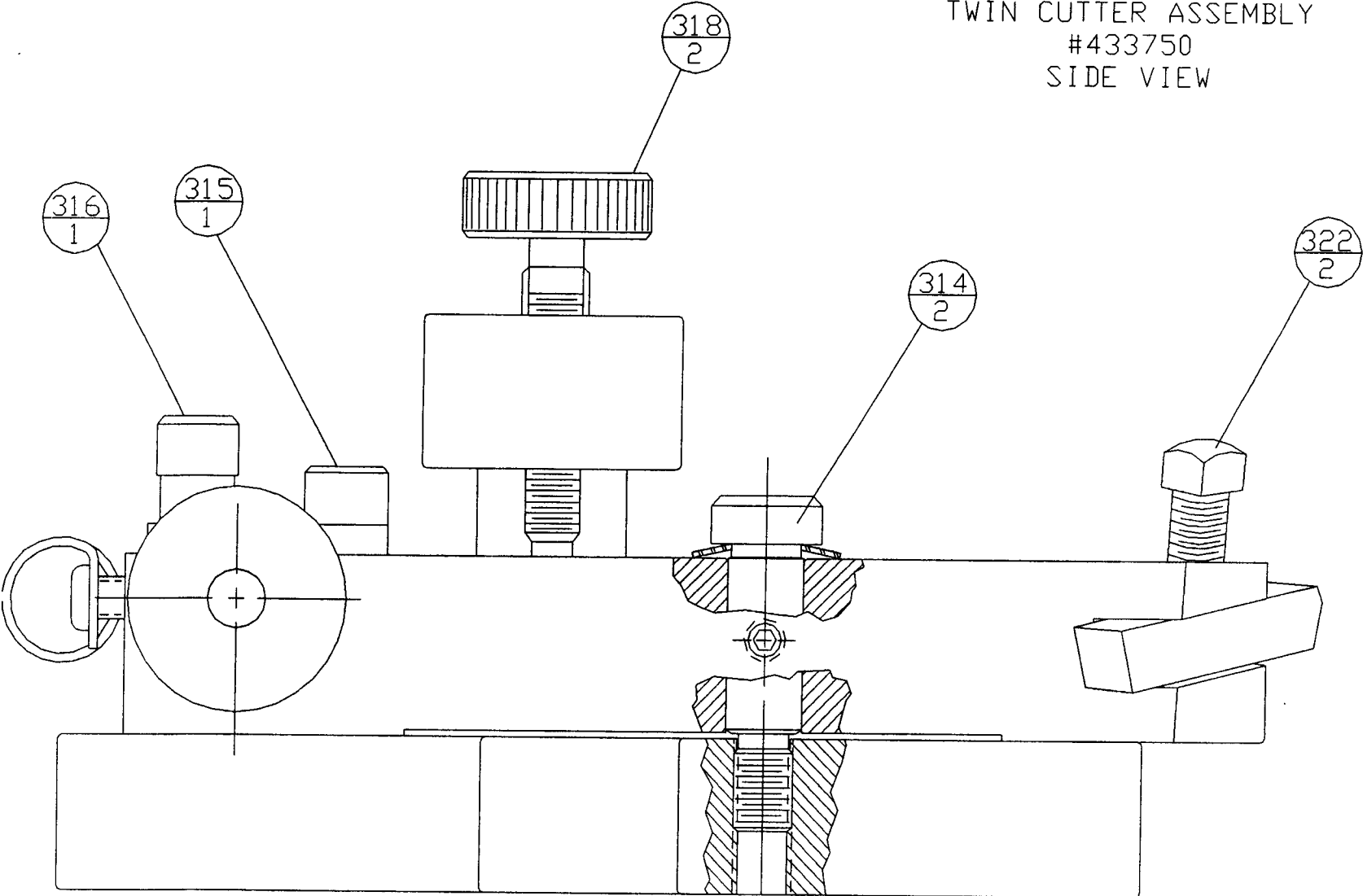
TWIN CUTTER ASSEMBLY
#433750
FRONT VIEW

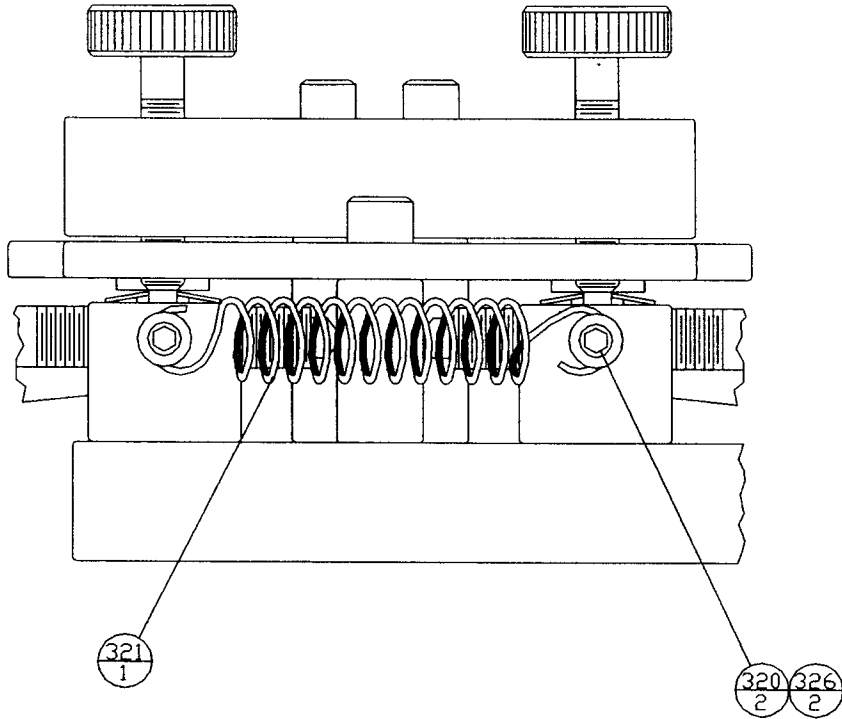


30

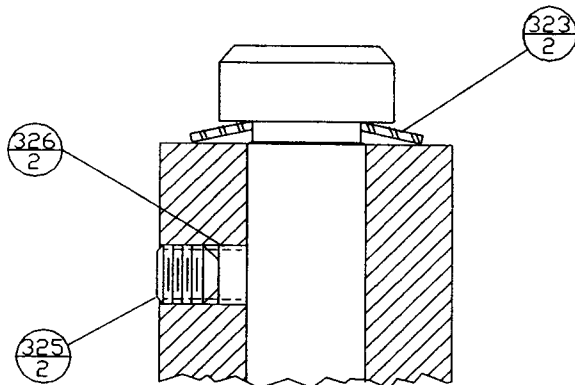
TWIN CUTTER ASSEMBLY
#433750
SIDE VIEW

31





TWIN CUTTER ASSEMBLY
#433750
REAR VIEW



TOOL BAR PIVOT BOLT

