

K22



WHEEL BALANCER FOR MOTORCYCLE AND ATV'S

K22 WHEEL BALANCER
has a fixed shaft so that the wheel
rotates freely on its own bearings.



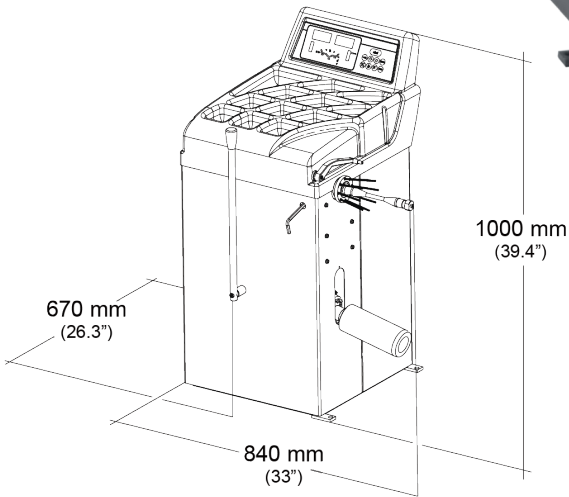
CEMB[®] USA

K22

- **AUTOMATIC ARM 2D**
to measure automatically distance and diameter
- Dynamic (two correction planes) and Static (one correction plane) balancing modes
- Made in ITALY
- **FIXED SHAFT:**
the wheel runs freely on its own bearings thus reproducing the exact mounting of the wheel on the motorcycle for diagnosing bearing problems



■ **MOTORIZED ROLLER**
for easy spinning and braking



Power requirements	110 VAC, 50/60 Hz, 1 ph
Balancing speed	80 rpm
Measuring cycle for 15 kg (33 lbs) wheel	4.7 s
Unbalance resolution	< 0.01 oz (<1 g)
Rim width setting range	1.5" - 20" (40 - 510 mm)
Rim diameter setting range	10" - 30" (265 - 765 mm)
Max. tire diameter	28" (711 mm)
Max. wheel weight	66 lbs (30 Kg)
Shaft diameter	15 mm
Machine weight	220 lbs (100 Kg)

STANDARD ACCESSORIES

AF15 KIT 940013271



MANUAL LOCKING



OPTIONAL ACCESSORIES

AGF TOOL KIT - 41FF48280
AF19 KIT (HARLEY DAVIDSON) - 41FF86295
HARLEY DAVIDSON SHAFT EXT. - 04C220001

CENTER. BUSHING KIT - 41FF51299
AF12 KIT (HONDA) - 940013270

CEMB[®] USA

CEMB[®] USA - BL Systems Inc.
2873 Ramsey Road, Gainesville GA 30501 - USA
Phone +1 (678) 717-1050 - sales@cemb-usa.com
www.cemb-usa.com

